

**ECP LABELING**

LABEL EACH ECP PER O'REILLY TERMINOLOGY WITH EXACTLY THE SAME UNIQUE IDENTIFYING "CODE" AS SHOWN ON THE "HVAC PLAN" ON SHEET M1 (FOR EXAMPLE: RTU-1, RTU-2, ETC... OR FURN-1, FURN-2, ETC.)



REVISIONS:


**O'Reilly AUTO PARTS**  
CORPORATE OFFICES  
233 SOUTH PATTERSON  
SPRINGFIELD, MISSOURI 65802  
417-862-2674 PHONE

PROJECT:  
**RE-MODEL O'REILLY AUTO PARTS STORE**  
523 NORTH MILITARY STREET  
LORETTO, TN 38469  
**ENERGY SYSTEM**

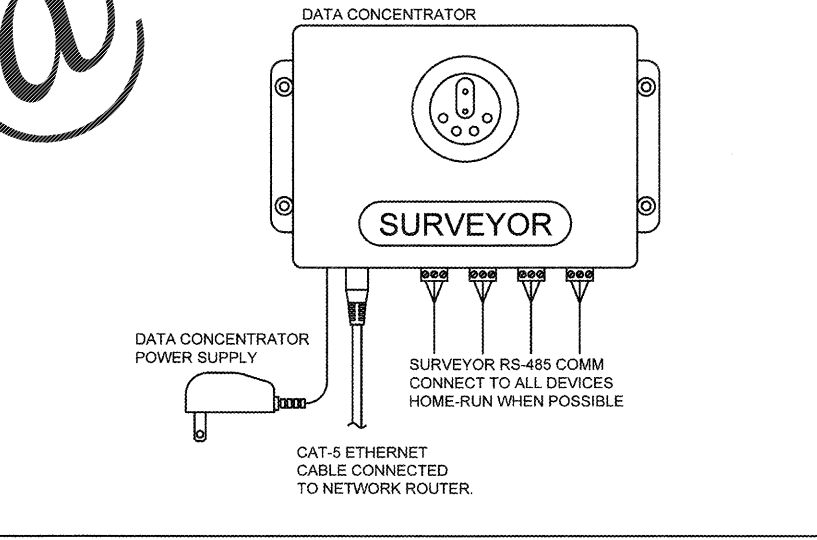
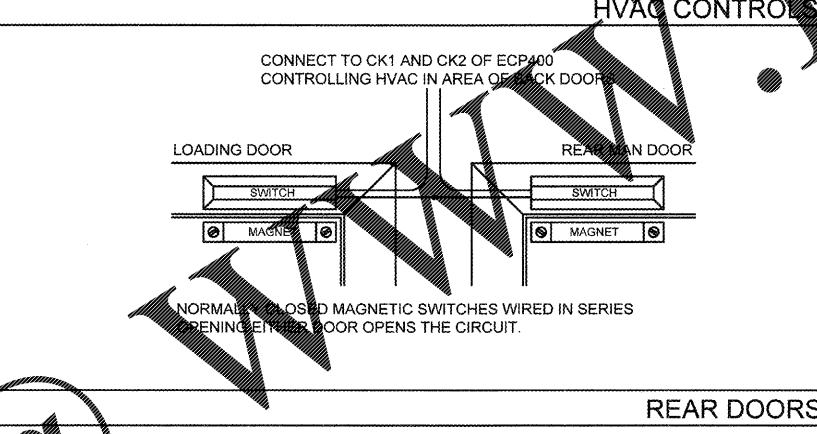
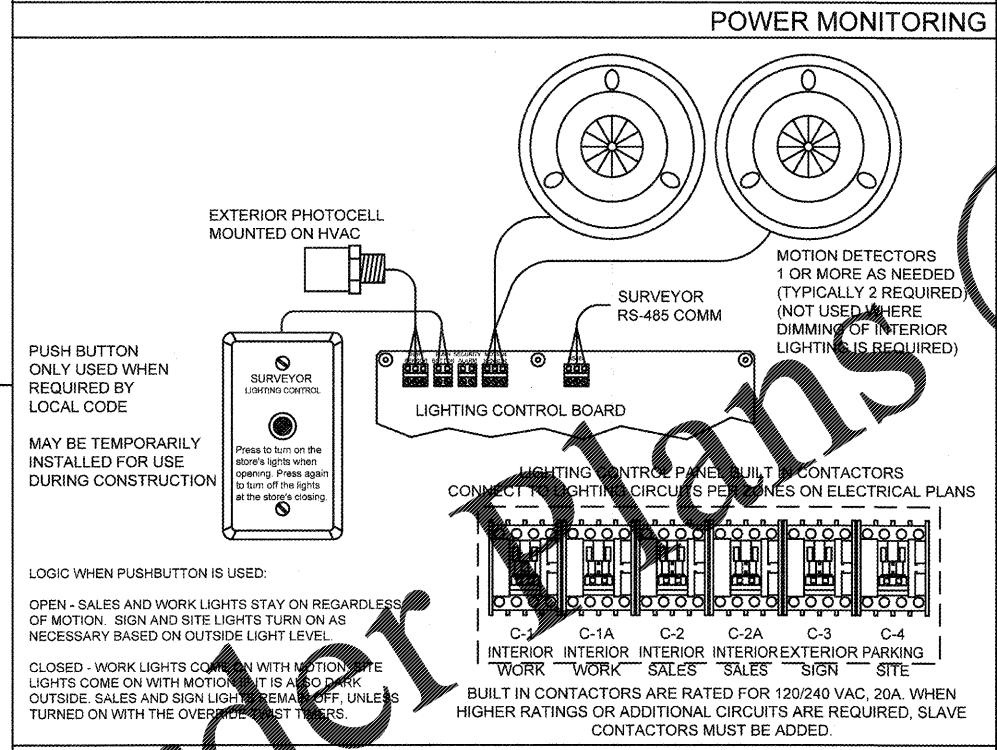
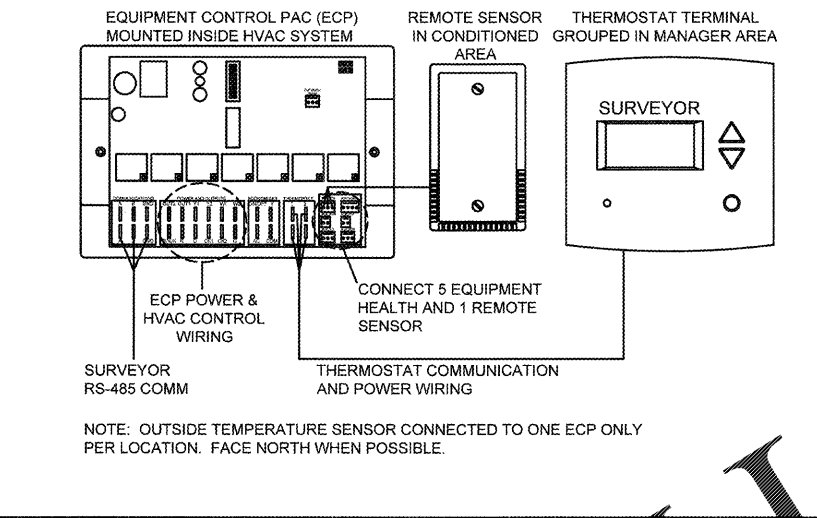
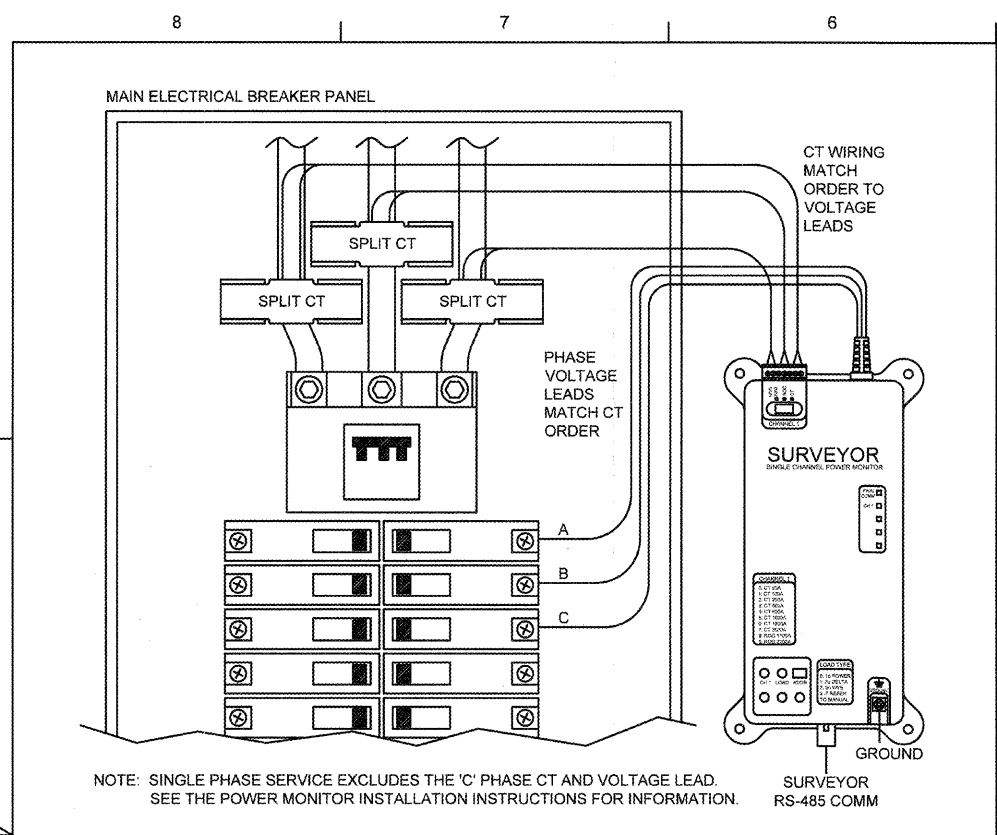
**FOR REFERENCE ONLY**

DRAWN:  
CHECKED:  
DATE: 2-15-2018  
JOB NO.: 319287 (LTO)  
SHEET:

**VS1**

COPYRIGHT 2018 - DESIGNS, DRAWINGS AND SPECIFICATIONS ARE INSTRUMENTS OF SERVICE AND ARE THE PROPERTY OF THE DESIGN PROFESSIONAL. REPRODUCTION PROHIBITED WITHOUT THE EXPRESSED WRITTEN CONSENT OF THE DESIGN PROFESSIONAL.

USE FIELD SUPPLIED NORMALLY CLOSED MAGNETIC SWITCH. WHEN THERE ARE TWO FRONT DOORS, CONNECT SWITCHES IN SERIES SO CIRCUIT WILL OPEN WHEN EITHER DOOR OPENS.



**HVAC CONTROLS FRONT DOOR**

SURVEYOR EMS COMPONENTS		
PART	DESCRIPTION	QTY
DC400	DATA CONCENTRATOR	1
ECP400	EQUIPMENT CONTROL PAC	1 PER HVAC
SP400	EQUIPMENT SENSOR PACK	1 PER HVAC
CT414	COMMUNICATING THERMOSTAT	1 PER HVAC
RS410	WALL MOUNT REMOTE SENSOR	1 PER HVAC
LCP401	LIGHTING CONTROL PANEL	1
MD400	ADDITIONAL MOTION DETECTOR	AS NEEDED
PM401	SINGLE CHANNEL POWER MONITOR	1
SCT600-200	600A SPLIT CT, 2" OPENING	3
SCIM400D	SINGLE CHANNEL INPUT MODULE	1
OTS400	OUTDOOR TEMPERATURE SENSOR	1

- GENERAL NOTES**
1. SURVEYOR ENERGY MANAGEMENT SYSTEM HARDWARE IS SUPPLIED BY O'REILLY AUTO PARTS.
  2. DRAWING FOR GENERAL INFORMATION ONLY.
  3. LOCAL BUILDING CODES TAKE PRECEDENCE OVER THIS DOCUMENT.
  4. NOT ALL WIRING IS SHOWN ON THIS DRAWING. FOR CLARITY, ONLY ONE EXAMPLE OF EACH TYPE OF DEVICE IS SHOWN.
  5. REFER TO "O'REILLY INSTALLATION DETAIL" DRAWING AND THE SURVEYOR INSTALLATION INSTRUCTIONS FOR EACH COMPONENT FOR DETAILED WIRING AND ADDITIONAL CRITICAL INFORMATION.
  6. CAUTION! INSTALLATION REQUIRES THE REMOVAL OF SAFETY COVERS AND EXPOSE THE INSTALLER TO HIGH VOLTAGE AND ELECTRICAL HAZARDS. USE OF A LICENSED ELECTRICIAN IS REQUIRED. FOLLOW ALL APPROPRIATE SAFETY PRECAUTIONS. ADDITIONAL SAFETY INFORMATION IS IN THE SURVEYOR INSTALLATION MANUALS.
  7. IT IS THE CONTRACTORS OPTION TO CONTACT ONE OF THE FOLLOWING FOR INSTALLATION OF THE VENSTAR SURVEYOR SYSTEM (MATERIALS PROVIDED BY O'REILLY AUTOMOTIVE STORES INC.):  
A. STONES RIVER ELECTRIC - DARRELL STARKEY - DSTARKEY@STONESRIVERELECTRIC.COM - 615-885-0019  
B. STOVER ELECTRIC - JAMES STOVER - JAMES@STOVERELECTRIC.COM - 805-581-0740  
C. ZUBRAS ELECTRIC - SIMON ZUBRAS - SIMON@ZUBRASELECTRIC.COM - 214-319-6900

FOR SURVEYOR EMS TECHNICAL SUPPORT AND SYSTEM COMMISSIONING, PLEASE CONTACT:  
SURVEYOR TECHNICAL SUPPORT  
(818) 812-9812  
MON-FRI 6:00 AM - 5:00 PM PACIFIC  
surveyorsupport@venstar.com

**VENSTAR INC.**  
**SURVEYOR**  
O'REILLY INSTALLATION OVERVIEW

REV	DESCRIPTION	DATE	BY	CHKD	DATE	BY	CHKD
1	REMOVED CONTRACTOR CONTACTS	WB	8-7-13				
2	ADDED CONTRACTOR CONTACTS	WB	8-27-13				
3	REMOVED SECURITY WIRE LIGHTING CONTROL CONTACTORS	JH	9-27-15				
4	UPDATED CONTACT INFORMATION (PART NUMBER SURVEYOR EMS)	CG	2-3-14				
5	ADDED TEMP PUSHBUTTON USE	CG	9-12-13				
6	REVISED TO REFERENCE DETAIL DWG	CG	9-12-13				
7	RENUMBER NOTES, REMOVE LOGOS	CG	7-26-13				
8	ADDED CONTACT NOTES	CG	7-11-13				

SCALE: NONE DRAWN: C. GODWIN SHEET: 1 OF 1

**Order Plans**