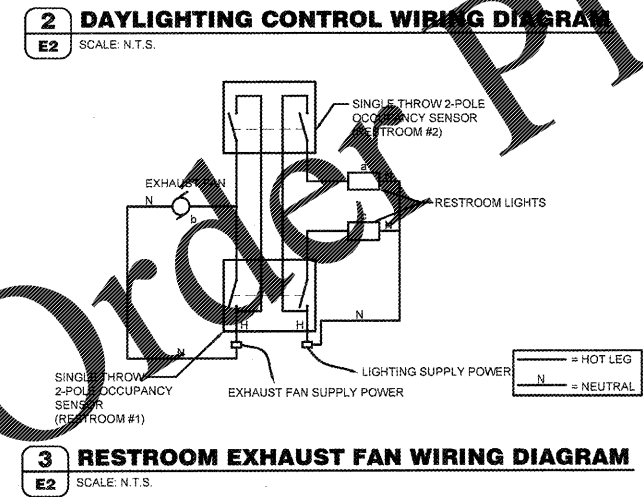
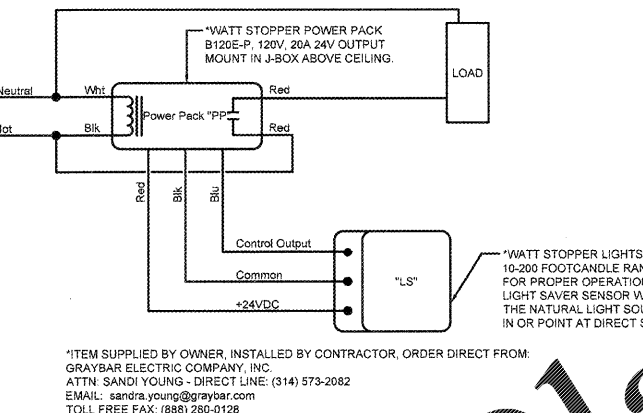
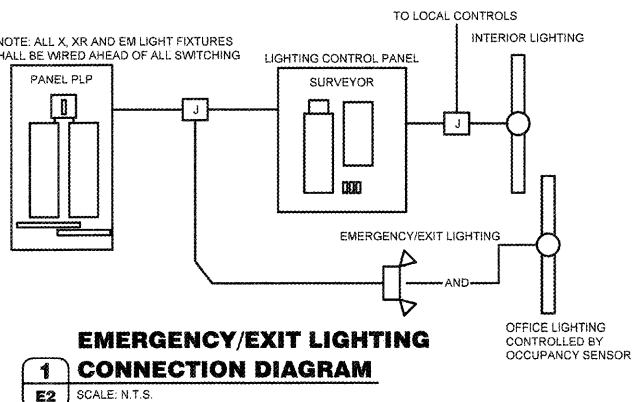


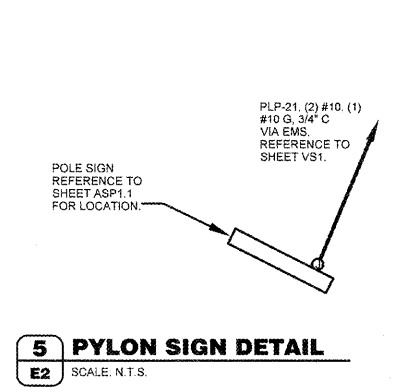
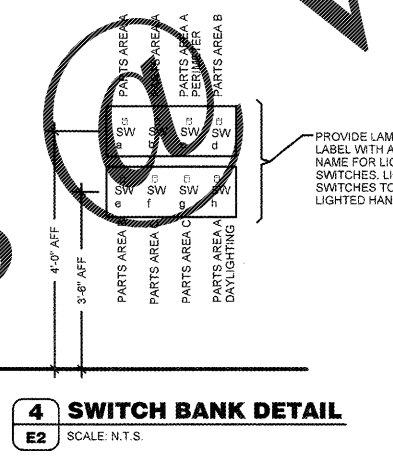
LIGHTING FIXTURE SCHEDULE								
TYPE	MANUFACTURER	CATALOG NUMBER	VOLT	FINISH	MOUNTING	LAMP	NOTES	WATTS
LED DIMMABLE LIGHTS - ALL INDOOR LIGHT FIXTURES SHALL HAVE DISCONNECTING MEANS								
A	LSI	SDL 8 LED 55 NWVUE GH (NO SUBSTITUTIONS)	277	WHITE	SURFACE CEILING	LED	4-3/8"W x 98"L (2) GRID HANGER PER FIXTURE. GRID HANGER (GH) (CEILING GRID ONLY). 0-10 VOLT DIMMING DRIVER STANDARD.	88 W
B	LSI	SDL 4 LED 55 NWVUE GH (NO SUBSTITUTIONS)	277	WHITE	SURFACE CEILING	LED	4-3/8"W x 48"L (2) GRID HANGER PER FIXTURE. GRID HANGER (GH) (CEILING GRID ONLY). 0-10 VOLT DIMMING DRIVER STANDARD.	34 W
C	LSI	SDL 6 LED 55 NWVUE CHS3 (NO SUBSTITUTIONS)	277/120	WHITE	CHAIN HUNG	LED	4-3/8"W x 98"L CHS 3" CHAIN HANG KIT (2) PER FIXTURE. CHAIN HANGER @ 12" A.F.F. + 3" CHAIN HANGING KIT (CHS3). 0-10 VOLT DIMMING DRIVER STANDARD.	88 W
D	LSI	SDL 4 LED 55 NWVUE CHS3 (NO SUBSTITUTIONS)	277/120	WHITE	CHAIN HUNG	LED	4-3/8"W x 48"L CHS 3" CHAIN HANG KIT (2) PER FIXTURE. CHAIN HANGER @ 12" A.F.F. + 3" CHAIN HANGING KIT (CHS3). 0-10 VOLT DIMMING DRIVER STANDARD.	34 W
L	LSI	LADE 41 LED 40 75 UETR6R SF-HAZ (NO SUBSTITUTIONS)	277	CLEAR	RECESSED	LED	6-1/16"W x 9-3/4" T EXTERIOR RECESSED CAN.	45 W
EXTERIOR LIGHTS								
WP1	LSI	XAM FT LED 08 50 UE BRZ (NO SUBSTITUTIONS)	277	DARK BRONZE	SURFACE WALL	LED	12-3/4"W x 19-15/16"L x 5-5/16" T MOUNT 12-0" A.F.F. TO CENTERLINE OF FIXTURE. SEE ARCH ELEV'S FOR LOCATIONS. FULL CUT OFF FIXTURE.	59 W
PC	INTERNATIC	PHOTOCELL #K4251	277	DARK BRONZE	SURFACE WALL	LED	MOUNT ABOVE WALL. PACK LOCATED NEAR FREIGHT DOOR.	NA
PL2	LSI	XALM FT LED S5-50-UE-BLK (HEAD)	277	BLACK	POLE MOUNTED	LED	LED HEAD WITH FORWARD THROW DISTRIBUTION.	154W
	LSI	550CB3-S11G-25-S-BLK-LAB-562 (POLE)		BLACK	SEE DETAIL		25' POLE LENGTH. ANCHOR BOLTS W/ HARDWARE & TEMPLATE. NOT USED.	NA
COMBINATION EXIT/EMERGENCY LIGHTS AND EMERGENCY LIGHTS								
XR	COOPER	APCH7-R (RED LETTERS)	277	WHITE	SURFACE CEILING OR WALL	(2) LED	EXIT LIGHT UNIVERSAL (WALL/CLG.) SINGLE OR DOUBLE FACE. BACK UP BATTERIES SHALL MAINTAIN 100% ILLUMINATION FOR A MINIMUM OF 90 MINUTES TO COMPLY WITH NEC ARTICLE 700.12(A).	2.34 W
EM	COOPER SURE LITE	SEL-50	277	WHITE	SURFACE CEILING OR WALL	(2) LED	EMERGENCY LIGHT UNIVERSAL (WALL/CLG.) BACK UP BATTERIES SHALL MAINTAIN 100% ILLUMINATION FOR A MINIMUM OF 90 MINUTES TO COMPLY WITH NEC ARTICLE 700.12(A).	10.80 W
RH2	COOPER	APMR2	3.6 VDC	WHITE	SURFACE WALL	LED	EXTERIOR EMERGENCY LIGHT UNIVERSAL (WALL/CLG.) FED BY TYPE XR.	NA

NOTES:

- ALL ITEMS LISTED ON THE "LIGHT FIXTURE SCHEDULE" WILL BE SUPPLIED BY THE OWNER (O'REILLY). ITEMS SHALL BE DIRECT ORDERED AND/OR RELEASED FROM THE LISTED ELECTRICAL EQUIPMENT DISTRIBUTION.
- NATIONAL ACCOUNT VENDOR: GRAYBAR ELECTRIC COMPANY, INC. 11885 LACKLAND ROAD ST. LOUIS, MO 63146 EMAIL: oreilly@graybar.com TOLL FREE: (314) 573-2088



- KEY NOTES**
- ILLUMINATED SIGN MOUNT J-BOX INSIDE BUILDING AND FLEX CONDUIT THRU WALL FOR POWER SUPPLY TO ILLUMINATED SIGN. SEE ARCHITECTURAL ELEVATIONS FOR EXACT LOCATIONS OF PENETRATIONS. WATERPROOF WITH ELASTOMERIC POLYURETHANE (NO EXCEPTIONS) EQUAL TO "VULKEN" 118. WIRE TO SIGN WITH 1/2" OF WIRING "WHIP" (SHALL BE FLEX OR TYPE MC CABLE) COIL AND "CABLE TIE" WIRING WHIP TO WALL ABOVE CEILING. TYPICAL.
 - SALES LIGHTING COORDINATE FIXTURE SPACING AND PLACEMENT WITH ON SITE O'REILLY REPRESENTATIVE. TYPICAL.
 - MOTION DETECTOR SEE VS1 SHEET "LIGHTING CONTROL" (TYP. OF 3).
 - RESTROOM EXHAUST CONNECT EX-EF TO POWER ON WHEN EITHER BATHROOM LIGHT IS ON. SEE DETAIL 3/E2.
 - OFFICE EXHAUST WIRE EXHAUST FAN TO SPEED SWITCH. REFER TO FAN SCHEDULE ON SHEET M2.
 - FIXTURE MOUNTING MOUNT THESE LIGHT FIXTURES AT 8'-0" A.F.F. TO BACK OF HEADER WALL.
 - SWITCH BANK SEE DETAIL 4/E2.
 - FIXTURE MOUNTING SUSPEND THESE (2) LIGHT FIXTURES AT 8'-0" AFF.
 - NIGHT LIGHT CIRCUIT SHALL BE ROUTED VIA EMERGENCY GENERATOR TRANSFER POSITION "D".
 - ROUTE THIS PORTION OF CIRCUIT DIRECTLY TO CIRCUIT BREAKER. FIXTURE SHALL NOT BE SWITCHED BY EMS SYSTEM.
 - FUTURE TENANT SPACE LIGHTING QUANTITY OF EXISTING NORMAL LIGHTING FIXTURES TO BE REDUCED AS SHOWN. EXISTING WIRING TO REMAIN AND TO BE REUSED AS SHOWN. EXISTING EMERGENCY LIGHT FIXTURES AND WIRING TO REMAIN AS IS.
 - EXTERIOR BUILDING LIGHTING EXISTING LIGHT FIXTURES TO BE REPLACED WITH NEW FIXTURES AT LOCATIONS AS SHOWN AND RECONNECTED TO EXISTING CIRCUIT. REFERENCE SHEET VS1 FOR CONTROLS.
 - EXISTING WIRING TO BE REUSED FOR NEW LIGHTING AS MUCH AS POSSIBLE.

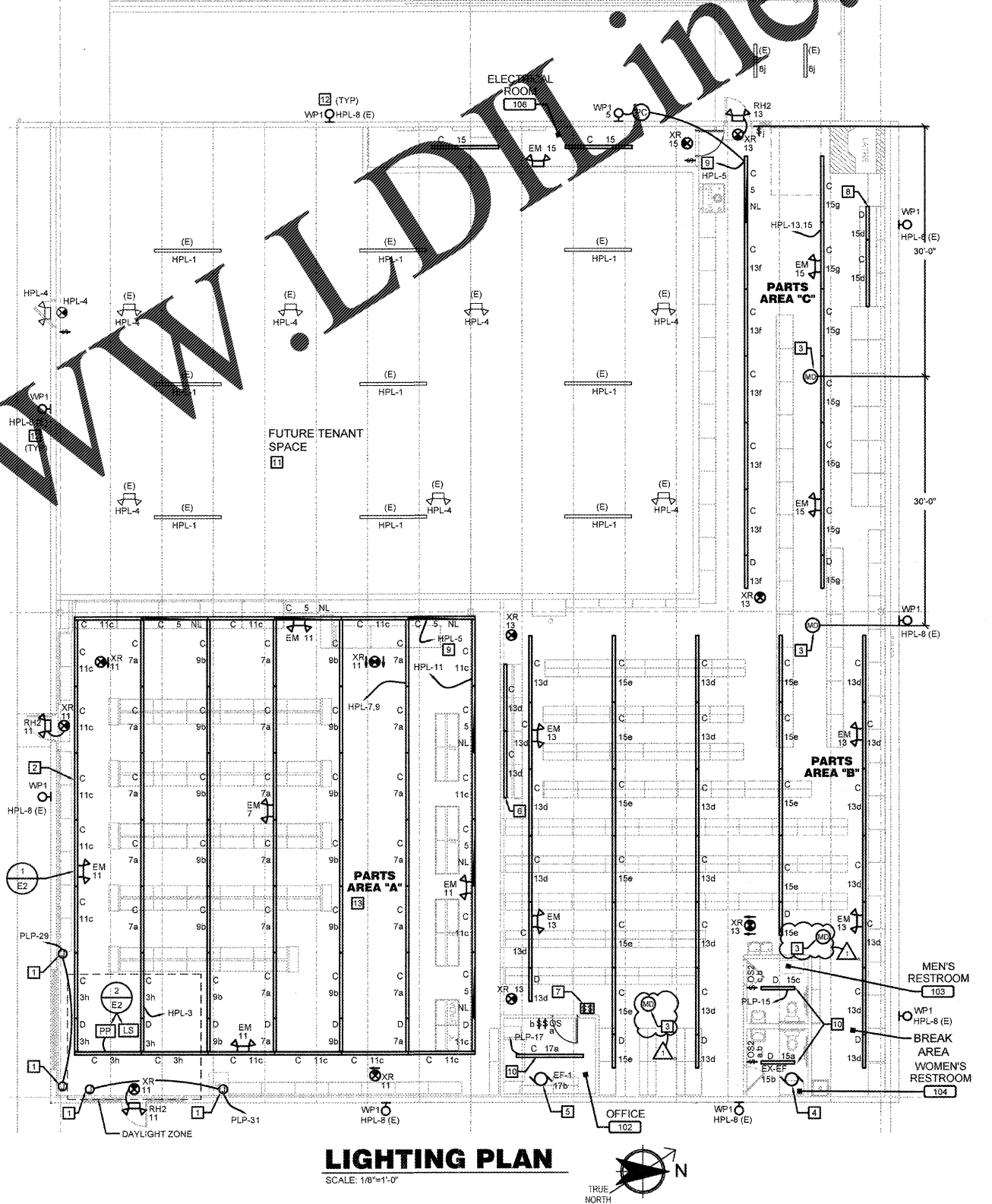


GENERAL NOTES

- EMERGENCY/EXIT LIGHTING PLACE EXIT SIGNS HIGH ENOUGH TO BE SEEN ABOVE ALL MERCHANDISE WITH THE FOLLOWING LIMITATION: THE MAXIMUM HEIGHT FOR AN EXIT LIGHT ASSOCIATED WITH A SPECIFIC OPENING (I.E. MOUNTED OVER A DOOR OR OPENING) SHALL BE NO GREATER THAN THE CODE ALLOWED 8'-8" ABOVE THE TOP EDGE OF THE DOOR OR OPENING.
- EMERGENCY/EXIT CIRCUITING ROUTE EMERGENCY/EXIT FIXTURE PORTION OF CIRCUIT DIRECTLY TO CIRCUIT BREAKER. FIXTURE SHALL NOT BE SWITCHED BY LIGHTING CONTROL SYSTEM. SEE DETAIL 1/E2. TYPICAL. SEE N.E.C. 700.12(F).
- INTERIOR LIGHTING ZONES ALL INTERIOR LIGHTING WITHIN PARTS AREA "A" SHALL BE CONSIDERED "SALES" ZONE (ON ONLY WHEN STORE IS OPEN FOR BUSINESS) ALL INTERIOR LIGHTING WITHIN PARTS AREA "B", PARTS AREA "C", RESTROOMS, OFFICE AND BREAK AREA SHALL BE CONSIDERED "WORK" ZONES (ON WHENEVER THERE IS MOTION OR THE STORE IS OPEN). LIGHTING SHALL BE CIRCUITED TO PANEL PLP UNLESS NOTED OTHERWISE.
- CIRCUIT VIA CONTACTORS PARTS AREA AND EXTERIOR LIGHTING SHALL BE CIRCUITED VIA CONTACTORS AS NOTED ON PANEL SCHEDULES AND "VS" SHEETS.
- EXISTING SITE LIGHTING REPLACE ALL POLE LIGHTS WITH LED HEADS. REFERENCE TO LIGHTING FIXTURE SCHEDULE THIS SHEET AND TO SITE PLAN SHEET ASP1.1 FOR LOCATION.

COMPLIANCE WITH ENERGY CODE IS ACHIEVED BY:

- ONCE THE EMS HAS BEEN PROGRAMMED, THE INTERIOR AND EXTERIOR LIGHTS WILL TURN ON AND OFF USING THE FOLLOWING LOGIC. SEE SHEETS VS1, VS2 AND VS3.
 - INTERIOR WORK LIGHTS WILL TURN ON WITH FIRST MOTION IN THE STORE AND WILL TURN OFF 15 MINUTES AFTER LAST MOTION ONCE THE STORE IS CLOSED.
 - INTERIOR SALES LIGHTS WILL TURN ON AT STORE OPENING AND TURN OFF 15 MINUTES AFTER STORE CLOSING.
 - EXTERIOR SIGN LIGHTS WILL TURN ON WHEN IT IS DARK ENOUGH OUTSIDE ANYTIME DURING STORE HOURS, AND WILL TURN OFF AT STORE CLOSING.
 - EXTERIOR SITE LIGHTS WILL TURN ON WHEN IT IS DARK ENOUGH OUTSIDE AND IT IS WITHIN STORE HOURS OR THERE IS MOTION IN THE STORE. THEY WILL TURN OFF 30 MINUTES AFTER LAST MOTION ONCE THE STORE IS CLOSED.
 - FOR NEW CONSTRUCTION LOCATIONS ONLY, THERE IS A TEMPORARY PROGRAM TO KEEP SIGN AND SITE LIGHTS ON UNTIL MIDNIGHT RATHER THAN THE TIMES INDICATED ABOVE. O'REILLY WILL DISABLE THIS PROGRAM ONE YEAR AFTER STORE OPENING.
- RESTROOMS AND OFFICES: ALL LIGHTING IN THESE AREAS ARE CONTROLLED BY OCCUPANT-SENSING DEVICES.



CASCO
PROJECT MANAGERS
0877 Johnson Road
St. Louis, MO 63127
Phone: (314) 824-1100

O'Reilly AUTO PARTS
CORPORATE OFFICES
233 SOUTH PATTERSON
SPRINGFIELD, MISSOURI 65802
417-862-2674 PHONE

REVISIONS:
ADDENDUM #1 03/12/18

PROJECT:
RE-MODEL O'REILLY AUTO PARTS STORE
523 NORTH MILITARY STREET
LORETTO, TN 38469

LIGHTING PLAN

DRAWN: YAV
CHECKED: HJA
DATE: 2-15-2018
JOB NO.: 319287 (LTO)
SHEET: **E2**