

| ELECTRICAL LEGEND & ABBREVIATIONS | | | | | | |
|-----------------------------------|--|------|--|-----|---|--|
| 1 | SINGLE POLE SWITCH | 1 | FLOOR BOX WITH ABOVE FLOOR SERVICE FITTING AND DEVICE INDICATED. SEE GENERAL NOTES. | 1 | REMOTE PHOTO CONTROL | |
| 2 | TWO POLE SWITCH | 2 | 4" SQUARE STEEL FLOOR BOX WITH ABOVE FLOOR SERVICE FITTING AND QUADPLEX ISOLATED GROUND RECEPTACLE (SEE ABOVE ISOLATED GROUND RECEPTACLE DESCRIPTION). OUTLET COVER SHALL BE RED IN COLOR. | 1 | MOTOR | |
| 3 | THREE-WAY SWITCH | 3 | THE ILLUSTRATED MOUNTING HEIGHTS ARE TYPICAL. SPECIAL HEIGHTS ARE AS FOLLOWS | 1 | PLUG FUSED SAFETY/TOGGLE SWITCH (125V MAXIMUM), FUSE SIZE AS INDICATED SSU/XX | |
| OS | WALL MOUNTED OCCUPANCY SENSOR. PROVIDE WATT STOPPER #PW1001 MOUNTED AT 48" AFF. | 60" | NEMA L5-30R - SPECIAL RECEPTACLE. FEED WITH (2) #10, #10G, 3/4" | 1 | POWER POLE | |
| OS2 | TWO POLE WALL MOUNTED OCCUPANCY SENSOR. PROVIDE WATT STOPPER #PW2001 MOUNTED AT 48" AFF. | WP | JUNCTION BOX | 1 | SMOKE DETECTOR PROVIDED BY MECHANICAL SERVING PANEL AND CIRCUIT NUMBER DESIGNATION(S) | |
| 1 | PLUG FUSED SAFETY/TOGGLE SWITCH (125V MAXIMUM), FUSE SIZE AS INDICATED SSU/XX | 1 | WATERPROOF JUNCTION BOX | 1 | NOTE: EQUIPMENT GROUND CONDUCTOR NOT SHOWN | |
| 1 | NON-FUSED DISCONNECT (SAFETY) SWITCH | 1 | TELEPHONE OUTLET BOX WITH 1" CONDUIT TO ABOVE CEILING | 1 | CIRCUIT CONDUCTORS | |
| 1 | DUPLEX RECEPTACLE | 1 | COMPUTER DATA OUTLET BOX WITH 1" CONDUIT TO ABOVE CEILING | 1 | GROUNDING CIRCUIT CONDUCTOR (OR NEUTRAL) | |
| 1 | ISOLATED GROUND DUPLEX RECEPTACLE (ORANGE IN COLOR) SEE DETAIL 1/E3 | 1 | POWER PACK, WATT STOPPER B120E-P, 120V, 20A, 24V OUTPUT. | 1 | "EXIT" SIGN WITH ARROWS INDICATING FACE(S) | |
| 1 | QUADPLEX RECEPTACLE (TWO DUPLEX RECEPTACLES IN ONE 2-GANG BOX UNDER A SINGLE COVERPLATE) | 1 | LIGHTSAVER CONTROLLER, WATT STOPPER LS-100XA, 24V 10-200 FOOTCANDLE RANGE. | 1 | EMERGENCY LIGHTING FIXTURE WITH BATTERY 24 HOUR LIGHT, WIRE AHEAD OF ANY LOCAL SWITCHES | |
| 1 | ISOLATED GROUND QUADPLEX RECEPTACLE (TWO ISO. GRD DUPLEX RECEPTACLES IN ONE 2-GANG BOX UNDER A SINGLE RED IN COLOR COVERPLATE) | 1 | | 1 | MOTION DETECTOR - BY VENSTAR | |
| AC | (LOCATED) ABOVE COUNTER | EF | EXHAUST FAN | IG | ISOLATED GROUND. SEE 1/E3 | |
| AFF | ABOVE FINISHED FLOOR | EFU | ELECTRICAL FURNACE | IMC | INTERMEDIATE METALLIC TUBING | |
| AHU | AIR HANDLING UNIT | EMT | ELECTRICAL METALLIC TUBING | LC | LIGHTING CONTACTOR | |
| BCU | BLOWER COIL UNIT | FURN | GAS FURNACE | M | MOTOR STARTING | |
| CDU | CONDENSING UNIT | GFI | GRD./FAULT CIRCUIT INTERRUPTER | MP | MOTOR STARTING PILOT LIGHT | |
| CM | CEILING MOUNT | HPU | HEAT PUMP UNIT | NL | NIGHT LIGHT | |
| | | | | PEC | PHOTOELECTRIC CONTROL | |
| | | | | R | RED IN COLOR COVERPLATE | |
| | | | | RGS | RIGID GALVANIZED STEEL | |
| | | | | RTU | PACKAGED ROOFTOP UNIT | |
| | | | | TS | TIME SWITCH | |
| | | | | W | WALL OUTLET (48" AFF SEE MTG. HTS.) | |
| | | | | | WP | WEATHERPROOF (ENCLOSURE) |
| | | | | | X | EXPLOSION PROOF ASSEMBLY |
| | | | | | "PROVIDE" | "PROVIDE" MEANS TO FURNISH AND INSTALL |

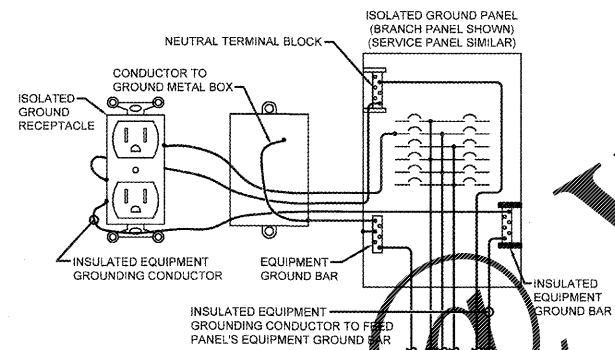
GENERAL ELECTRICAL NOTES

- DRAWINGS ARE DIAGRAMMATIC AND ARE NOT TO BE SCALED. SEE THE ARCHITECTURAL PLANS AND FIELD VERIFY CONDITIONS FOR DIMENSIONS.
- ALL ELECTRICAL WORK SHALL COMPLY WITH NFPA 70-NATIONAL ELECTRICAL CODE (NEC) (LATEST EDITION).
- ALL WIRING SHALL BE IN CONDUIT. FEEDER CONDUIT SHALL BE IMC OR RGS ABOVE GRADE AND PVC BELOW GRADE EXTERIOR BRANCH CIRCUIT CONDUIT SHALL BE PVC BELOW GRADE WITH IMC OR RIGID GALVANIZED STEEL CONDUIT CONTINUING ABOVE GRADE. (SPEC 16110)
- COORDINATE ALL WORK WITH OTHER TRADES TO AVOID CONFLICTS. COORDINATION DOES NOT MEAN "I WAS HERE FIRST".
- ALL WIRING IN FINISHED SPACES SHALL BE CONCEALED, UNLESS NOTED OTHERWISE.
- THE CONTRACTOR SHALL BE RESPONSIBLE FOR INSTALLING A COMPLETE AND FUNCTIONAL SYSTEM IN ACCORDANCE WITH THE INTENT OF THE PLANS, WHETHER OR NOT EVERY ELEMENT THEREOF IS SPECIFICALLY CALLED OUT.
- COORDINATE ALL EQUIPMENT ROUGH-IN CONNECTION REQUIREMENTS.
- ALL OUTLET BOXES SHALL BE METALLIC. (SPEC 26 05 34)
- ALL CAULKING ON BUILDING PENETRATIONS SHALL BE ELASTOMERIC POLYURETHANE (NO EXCEPTIONS), EQUAL TO "VUL" 116. ANY CONTRACTOR WHO USES SILICONE OR ANY OTHER CAULKING WILL BE REQUIRED TO REMOVE AND REPLACE WITH ELASTOMERIC POLYURETHANE.
- RECEPTACLES INSTALLED IN RESTROOMS SHALL BE GFCI TYPE OR SHALL BE PROTECTED BY A GFI DEVICE.
- ALL DEVICES SHALL BE IVORY AND SHALL BE EQUAL TO THE FOLLOWING:
SINGLE POLE SWITCHES --
THREE-WAY SWITCHES --
DUPLEX RECEPTACLE -- (SPEC 26 27 26)
GFCI DUPLEX RECEPTACLE --
ISO. GRD. RECEPTACLES --
USE DEVICE PLATES MANUFACTURED BY THE DEVICE MANUFACTURER. (SPEC 16150)
- FLOOR BOXES SHALL BE EQUAL TO STEEL CITY 88 SERIES GALVANIZED STAMPED STEEL WITH P90-10 COVERPLATE AND SPH-50 SERIES "TOMBSTONE" SINGLE DEVICE SERVICE FITTING AND COVERPLATE. PROVIDE DEVICE AS INDICATED ON PLAN.
- FEEDER AND BRANCH CIRCUIT CONDUCTORS SHALL BE COPPER UNLESS NOTED OTHERWISE. (SPEC 16110)
WIRE SIZES #10 AWG AND SMALLER SHALL BE SOLID. (SPEC 16119)
- CONTRACTOR SHALL PROVIDE A TYPED CIRCUIT DIRECTORY FOR ALL PANELS. (SPEC 16153)
- CONTRACTOR SHALL PROVIDE A ONE (1) YEAR WARRANTY ON ALL WORK PROVIDED.
- CONTRACTOR SHALL PROVIDE NEW WORKING LAMP FOR ALL LIGHT FIXTURES AT JOB COMPLETION.
- CONTRACTOR SHALL COORDINATE WITH AND SHALL PROVIDE ALL WIRING FOR THE SERVING "ELECTRIC UTILITY CO." TO PROVIDE ELECTRIC SERVICE TO BUILDING. CONTRACTOR SHALL ALSO INCLUDE ALL FEES FOR THE SERVING PHONE COMPANY TO INSTALL 25 PR. TO BUILDING.
- CONTRACTOR SHALL ARRANGE AND INCLUDE ALL PERMITS AND FEES FOR HIS SCOPE OF WORK.
- MULTIWIRE BRANCH CIRCUITS WITH SHARED NEUTRAL ARE NOT ALLOWED FOR SINGLE PHASE CIRCUITS.
- BRANCH CIRCUITS SERVING EMERGENCY ILLUMINATION UNITS SHALL BE THE SAME BRANCH CIRCUIT AS THAT SERVING THE EMERGENCY LIGHTING IN THAT AREA AND CONNECTED AHEAD OF ANY LOCAL SWITCHES. SEE N.E.C. 700-12(e).
- CONTRACTOR SHALL PROVIDE ALL NEUTRAL AND GROUND CONNECTIONS BY HVAC CONTRACTOR. SEE SHEET M1.
- ALL BRANCH CIRCUITS SHALL HAVE AN EQUIPMENT GROUNDING CONDUCTOR ROUTED WITH THE CIRCUIT CONDUCTORS. THIS MEANS ALL CONDUITS MUST HAVE A GREEN WIRE INSTALLED IN THEM AND SIZED IN ACCORDANCE WITH TABLE 250-95 OF THE 2008 NEC.

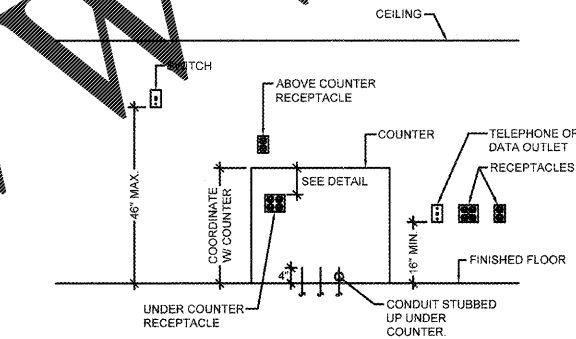
| PANEL BOARDS AND DISCONNECTS | B. DEVICES: | C. FLOOR BOXES: |
|------------------------------|---------------------|-----------------|
| 1. SQUARE D | -- "HUBBELL" | -- "STEEL CITY" |
| 2. EATON | -- "LEVITON" | -- "APPLETON" |
| 3. "CHLORIDE" | -- "PASS & SEYMOUR" | -- "HUBBELL" |
| 4. "UTLER-HAMMER" | (SPEC 26 27 26) | (SPEC 26 05 34) |

| VOLTAGE DROP CONDUCTOR CHART (BRANCH CIRCUITS) | | | | | | |
|--|--|------|------|------|------|------|
| AVG. CU | MAXIMUM DISTANCE ALLOWED (3% VOLTAGE DROP MAX) | | | | | |
| | 10A | | 12A | | 14A | |
| | 120V | 277V | 120V | 277V | 120V | 277V |
| #12 | 91' | 210' | 76' | 176' | 85' | 150' |
| #10 | 145' | 335' | 121' | 279' | 103' | 238' |
| #8 | 230' | 531' | 192' | 443' | 164' | 379' |
| #6 | 365' | 845' | 305' | 705' | 261' | 602' |

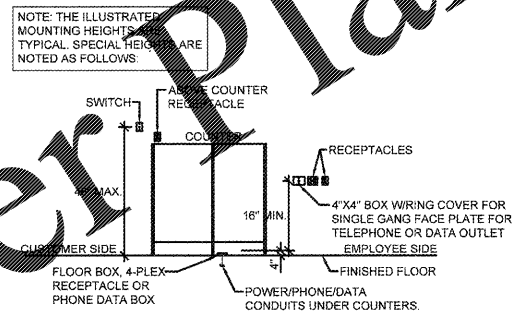
ALL CIRCUITS SHALL HAVE #12 (MIN.) CONDUCTORS AND #12 (MIN.) GROUNDING CONDUCTOR IN 1/2" CONDUIT (MIN). SEE CONDUCTOR CHART FOR MAXIMUM DISTANCE OF BRANCH CIRCUIT LENGTH PER 3% VOLTAGE DROP (MAX). ADJUST CONDUIT AND CONDUCTOR SIZE ACCORDINGLY.



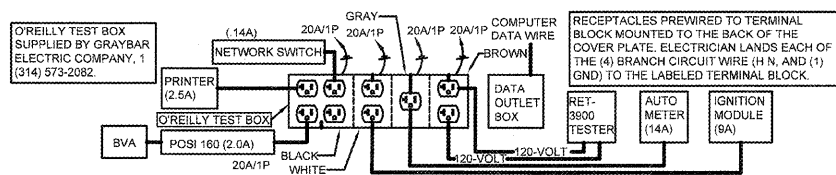
1 TYPICAL ISOLATED GROUND RECEPTACLE
E1 SCALE: N.T.S.



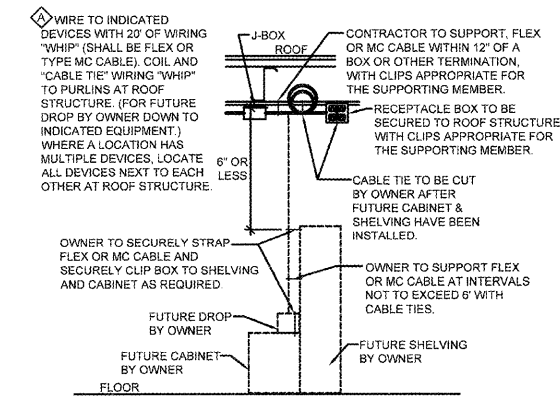
2 TYPICAL OUTLET MOUNTING HEIGHTS
E1 SCALE: N.T.S.



3 TYPICAL OUTLET MOUNTING HEIGHTS
E1 SCALE: N.T.S.



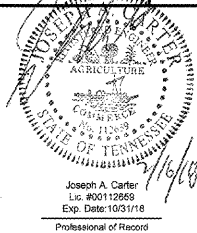
4 PLUG-IN SEQUENCE FOR "TEST BENCH" EQUIPMENT
E1 SCALE: N.T.S.



5 WIRING WHIP FROM CEILING
E1 SCALE: N.T.S.

O'Reilly AUTO PARTS

PROJECT: RE-MODEL O'REILLY AUTO PARTS STORE
523 NORTH MILITARY STREET
LORETTO, TN 38469



DRAWN: YAV
CHECKED: JAC
DATE: 2-15-2018
JOB NO.: 319287 (LTO)
SHEET:

E1

COPYRIGHT 2018 - DESIGNS, DRAWINGS AND SPECIFICATIONS ARE INSTRUMENTS OF SERVICE AND ARE THE PROPERTY OF THE DESIGN PROFESSIONAL. REPRODUCTION PROHIBITED WITHOUT THE EXPRESSED WRITTEN CONSENT OF THE DESIGN PROFESSIONAL.