

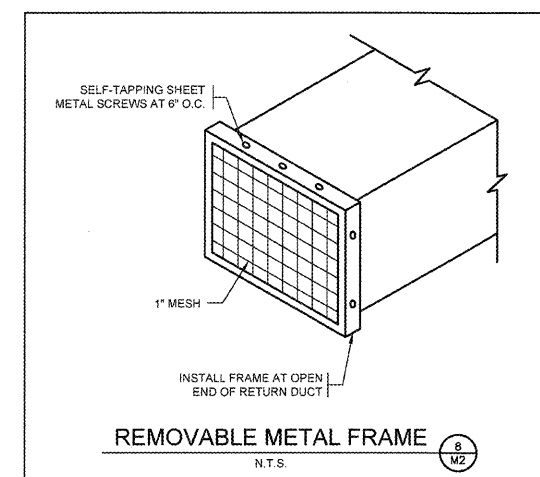
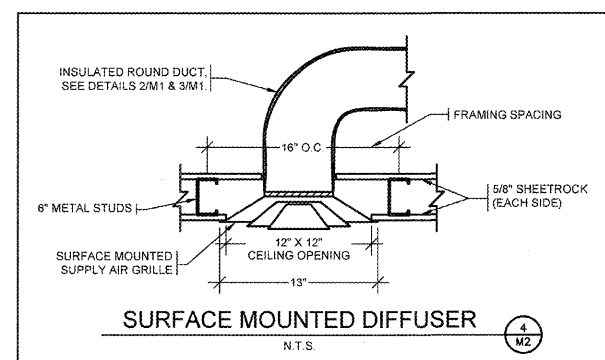
Order Plans @

EXISTING ROOFTOP UNIT SCHEDULE (ELECTRIC)																	
MARK	DESCRIPTION	MFR.	CATALOG NUMBER	HTG. MBH		CLG. MBH		SEER	SUPPLY FAN				ELECTRICAL		ACCESSORIES	REMARKS	
				CAPACITY	TEMP. (°F) LVG.	TOTAL	SENS.		CFM	O.A.	ESP	HP	MCA	MOCP			
XRTU-1	PACKAGED ROOFTOP UNIT 2 TON	LENNOX	KCA024S4D	N/A	N/A	24.4	23.6	13.0	800	△	-	25	208V/1Ø	21	30	1, 2, 3, 4, 5, 6, 7	△
ACCESSORIES (PROVIDE IF NOT EXISTING)				ACCESSORIES - FIELD SUPPLIED & FIELD INSTALLED													
1. CONVENIENCE OUTLET 2. MOTORIZED O.A. DAMPER				6. REMOTE TEST/RESET STATION - REMOTE TESTING/RESETTING OF DUCT SMOKE DETECTOR SEE HVAC PLAN FOR MOUNTING LOCATIONS. 7. ALARMSTROBE - AUDIBLE/VISUAL SIGNAL DEVICE FOR SIGNALING ALARM OF DUCT SMOKE DETECTOR. SEE HVAC PLAN FOR MOUNTING LOCATIONS.													
ACCESSORIES - O'REILLY SUPPLIED & FIELD INSTALLED																	
3. VENSTAR COMMUNICATION THERMOSTAT. (NO SUBSTITUTIONS). REFER TO SHEET VS1. 4. VENSTAR REMOTE SENSOR. (NO SUBSTITUTIONS). REFER TO SHEET VS1. 5. VENSTAR SURVEYOR. (ECP & SENSORS)																	
REMARKS																	
△ NOTE! HVAC COMPLETION, AT CONSTRUCTION COMPLETION: 1. CONTRACTOR SHALL REPLACE ALL RETURN AIR FILTERS INSIDE ALL HVAC UNITS W/CLEAN NEW AIR FILTERS. 2. CONTRACTOR SHALL SUPPLY AN ADDITIONAL CLEAN SET OF FILTERS TO THE OWNER AT JOB COMPLETION. 3. CONTRACTOR SHALL SHOW THE STORE MANAGER THE LOCATION OF & INSTRUCT HIM/HER HOW TO CHANGE ALL AIR FILTERS.														△ SEE OUTSIDE AIR SETUP, SHEET M1.			

EXISTING ROOFTOP UNIT SCHEDULE (GAS)																				
MARK	DESCRIPTION	MFR.	CATALOG NUMBER	HTG. MBH		THERM. EFF.	CLG. MBH			SEER	EER	SUPPLY FAN				ELECTRICAL		ACCESSORIES	REMARKS	
				STAGE 1 IN/OUT	STAGE 2 IN/OUT		STAGE 1 TOT./SENS.	STAGE 2 TOT./SENS.	TTL. COOL TOT./SENS.			CFM	O.A.	ESP	HP	MCA	MOCP			
XRTU-2	PACKAGED ROOFTOP UNIT 3 TON	LENNOX	KGA036S4D	65 / 52	-	80%	37.5 / 36	-	37.5 / 36	13.0	10.7	1200	△	-	.5	460V/3Ø	11	15	2, 4, 5, 6, 7, 9, 10	△
XRTU-3	PACKAGED ROOFTOP UNIT 15 TON	LENNOX	LGH180H4B	312 / -	480 / 384	80%	120.1/88.9	62/49.5	182.1/138.4	-	12.0	8000	△	-	5.0	460V/3Ø	39	45	1, 2, 3, 5, 6, 7, 8, 9, 10	△
XRTU-4	PACKAGED ROOFTOP UNIT 17.5 TON	LENNOX	LGH210H4B	312 / -	480 / 384	80%	132.2/103.1	76.7/58.5	208.9/161.6	-	12.0	7000	-	-	5.0	460V/3Ø	42	45		
XRTU-5	PACKAGED ROOFTOP UNIT 5 TON	LENNOX	KGA060S4D	65 / 52	-	80%	61.8 / 59	-	61.8 / 59	13.0	11.2	2000	-	-	1.0	460V/3Ø	14	20		
ACCESSORIES (PROVIDE IF NOT EXISTING)									ACCESSORIES - FIELD SUPPLIED & FIELD INSTALLED											
1. RETURN AIR SMOKE DETECTOR 2. CONVENIENCE OUTLET 3. ENTHALPY ECONOMIZER/W/BAROMETRIC RELIEF 4. MOTORIZED O.A. DAMPER									8. CO2 SENSOR - WALL MOUNTED CO2/SPACE TEMPERATURE SENSOR WITH 19" DISPLAY & NO OVERRIDE. SEE HVAC PLAN FOR MOUNTING LOCATION. 9. REMOTE TEST/RESET STATION - REMOTE TESTING/RESETTING OF DUCT SMOKE DETECTOR. SEE HVAC PLAN FOR MOUNTING LOCATIONS. 10. ALARMSTROBE - AUDIBLE/VISUAL SIGNAL DEVICE FOR SIGNALING ALARM OF DUCT SMOKE DETECTOR. SEE HVAC PLAN FOR MOUNTING LOCATIONS.											
ACCESSORIES - O'REILLY SUPPLIED & FIELD INSTALLED																				
5. VENSTAR COMMUNICATION THERMOSTAT. (NO SUBSTITUTIONS). REFER TO SHEET VS1. 6. VENSTAR REMOTE SENSOR. (NO SUBSTITUTIONS). REFER TO SHEET VS1. 7. VENSTAR SURVEYOR. (ECP & SENSORS)																				
REMARKS																				
△ NOTE! HVAC COMPLETION, AT CONSTRUCTION COMPLETION: 1. CONTRACTOR SHALL REPLACE ALL RETURN AIR FILTERS INSIDE ALL HVAC UNITS W/CLEAN NEW AIR FILTERS. 2. CONTRACTOR SHALL SUPPLY AN ADDITIONAL CLEAN SET OF FILTERS TO THE OWNER AT JOB COMPLETION. 3. CONTRACTOR SHALL SHOW THE STORE MANAGER THE LOCATION OF & INSTRUCT HIM/HER HOW TO CHANGE ALL AIR FILTERS.																				

GRILLE AND DIFFUSER SCHEDULE											
MARK	DESCRIPTION	MFR.	CATALOG NUMBER	SIZE (in.)	FINISH	MOUNTING	BRANCH DUCT SIZE	ACCESSORIES	REMARKS	REF. DETAIL	
G1	SUPPLY GRILLE	ANEMOSTAT	S2H0	14x14	WHITE	DUCT	SEE PLAN	OB		-	
S1	SUPPLY DIFFUSER	ANEMOSTAT	E-1-D	12x12	WHITE	SURFACE	SEE PLAN	DT	△	4/M2	
R1	RETURN GRILLE	ANEMOSTAT	GC5	12x12	WHITE	SURFACE	SEE PLAN	-	NON-FILTERED GRILLE	4/M2	
ACCESSORIES								REMARKS			
DT - OPPOSED BLADE DAMPER, DIRECTIONAL TABS								△ 1-WAY △ 4-WAY △ DIRECTIONAL TABS, ADJUST TO PROVIDE THROW AS INDICATED ON PLANS.			
APPROVED ALTERNATE MANUFACTURER'S											
GRILLES, DIFFUSERS & DAMPERS: *TUTTLE & BAILEY *NAILOR *ARROW *CARNES *PRICE INDUSTRIES *TITUS *KRUEGER											

FAN SCHEDULE										
MARK	DESCRIPTION	MFR.	CATALOG NUMBER	CFM (NOM)	STATIC PRESS.	MOTOR H.P.	ELECTRICAL			ACCESSORIES
EF-1	INLINE FAN	COOK	GN-642	500	0.5	195W	V/PH	MCA	MOCP	BD,DS,SS
ACCESSORIES										
BD - GRAVITY BACK DRAFT DAMPER DS - DISCONNECT SWITCH SS - FAN SPEED SWITCH "COOK" #FSC (OFFICE ONLY)										
APPROVED ALTERNATE MANUFACTURER'S										
FANS: *GREENHECK *CARNES										



REVISIONS:

**O'Reilly AUTO PARTS**  
CORPORATE OFFICES  
233 SOUTH PATTERSON  
SPRINGFIELD, MISSOURI 65802  
417-862-2674, PHONE

PROJECT:  
**RE-MODEL O'REILLY AUTO PARTS STORE**  
523 NORTH MILITARY STREET  
LORETTO, TN 38469  
**HVAC SCHEDULES**

MICHAEL C. GRAPPELHAUS  
License # 120854  
Exp. Date: 11/30/19  
Professional of Record  
FEB 16 2018

DRAWN: MAK  
CHECKED: MCG  
DATE: 2-15-2018  
JOB NO.: 319287 (LTO)  
SHEET:

**M2**

COPYRIGHT 2018 - DESIGNS, DRAWINGS AND SPECIFICATIONS ARE INSTRUMENTS OF SERVICE AND ARE THE PROPERTY OF THE DESIGN PROFESSIONAL. REPRODUCTION PROHIBITED WITHOUT THE EXPRESSED WRITTEN CONSENT OF THE DESIGN PROFESSIONAL.