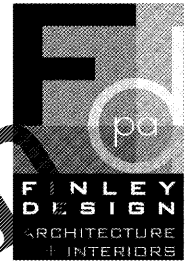
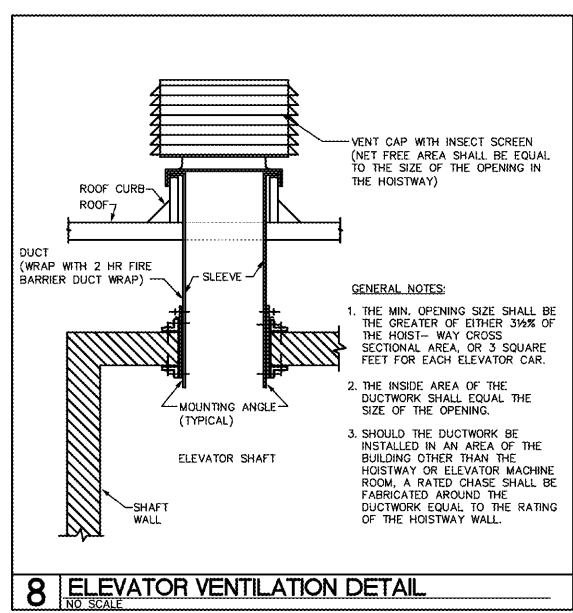
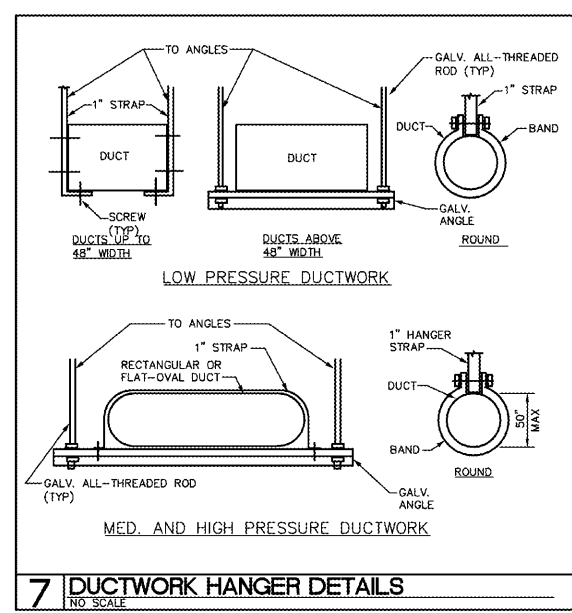
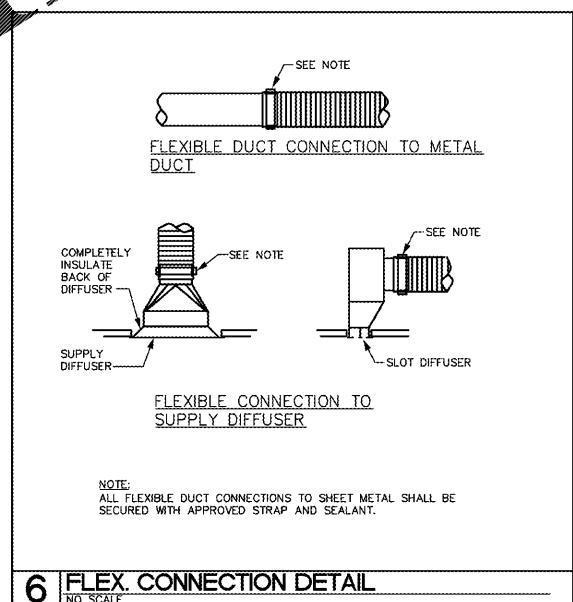
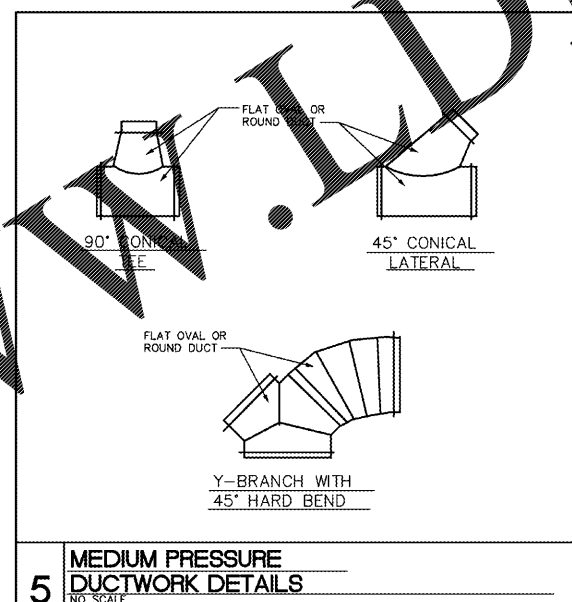
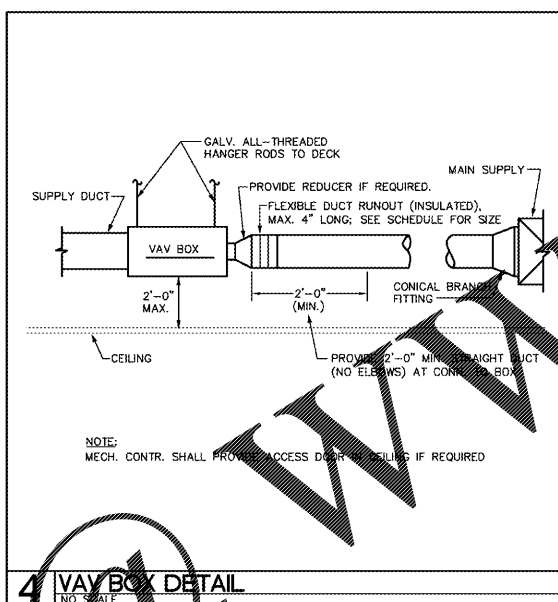
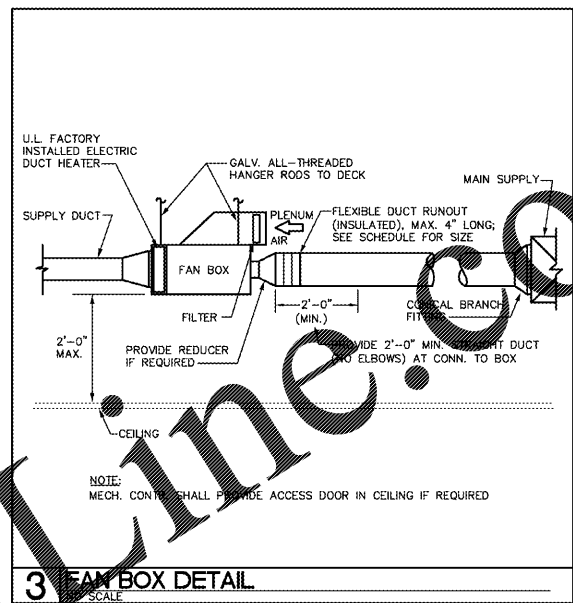
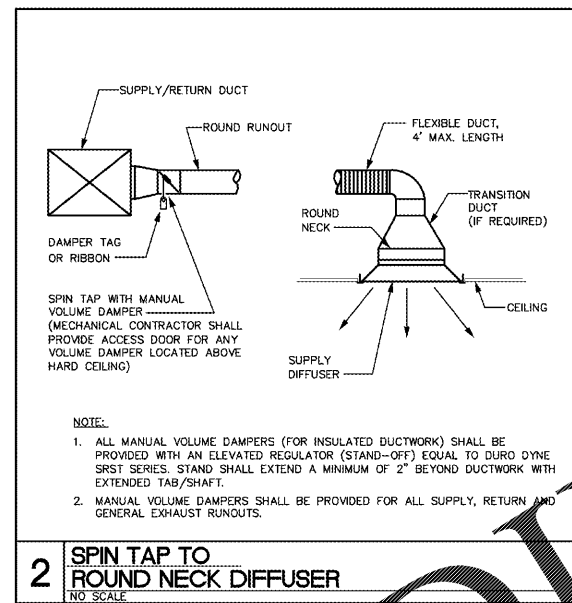
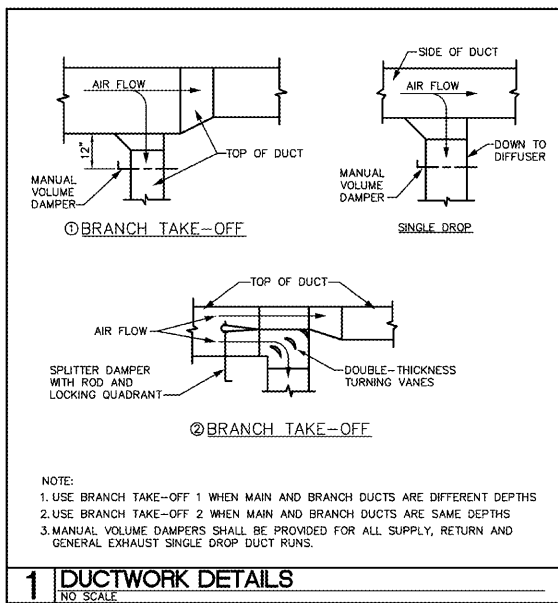
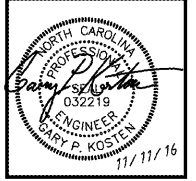


Order Plans



FINLEY DESIGN PA
7806 NC HWY 751
SUITE 110
DURHAM, NC 27713
P 919-493-8200
F 919-493-8113
FINLEYDESIGNARCH.COM



WESTPOINT 2
DURHAM, NC

REVISIONS

PROJECT: 1342
DATE: 11/11/16
DRAWN BY: ECC
CHECKED BY: GPK
MECHANICAL
DETAILS
M3.1
12 OF 14