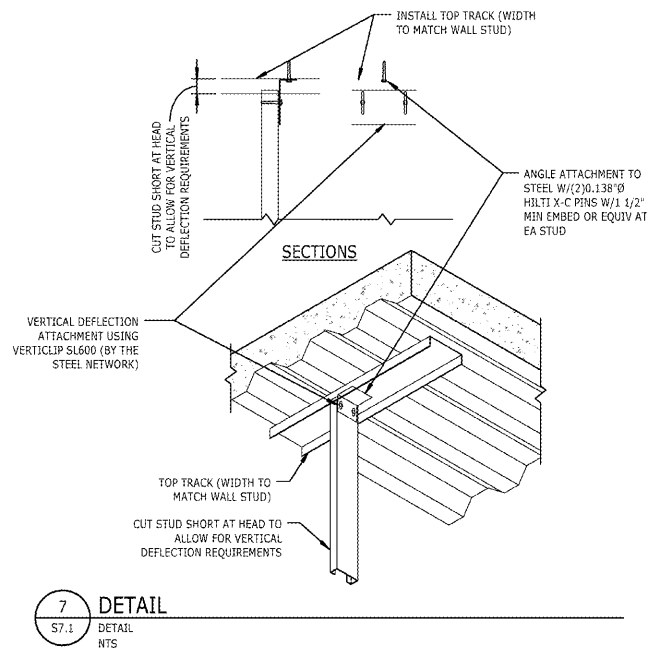
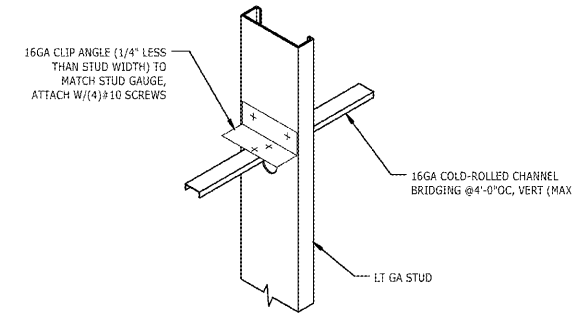


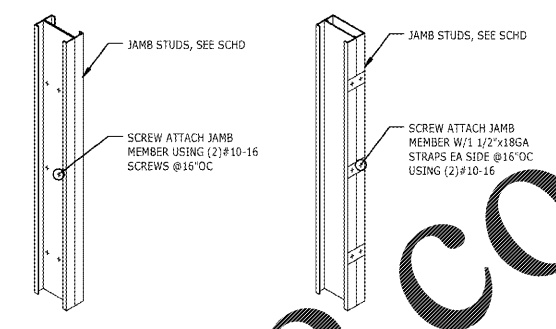
Order Plans @



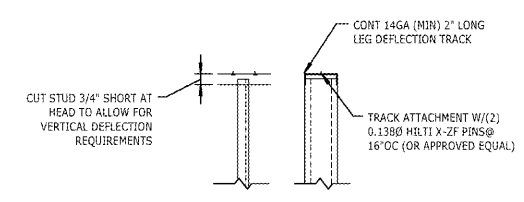
7 DETAIL
S7.1 DETAIL NTS



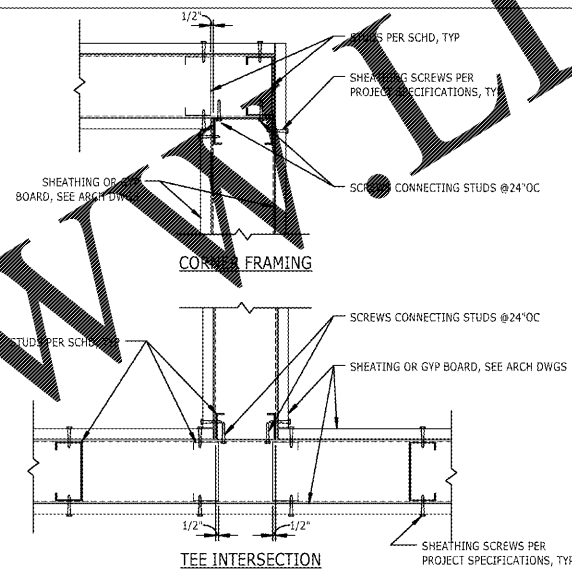
4 DETAIL
S7.1 DETAIL NTS
NOTES:
1. ALSO SEE 8/45-400.



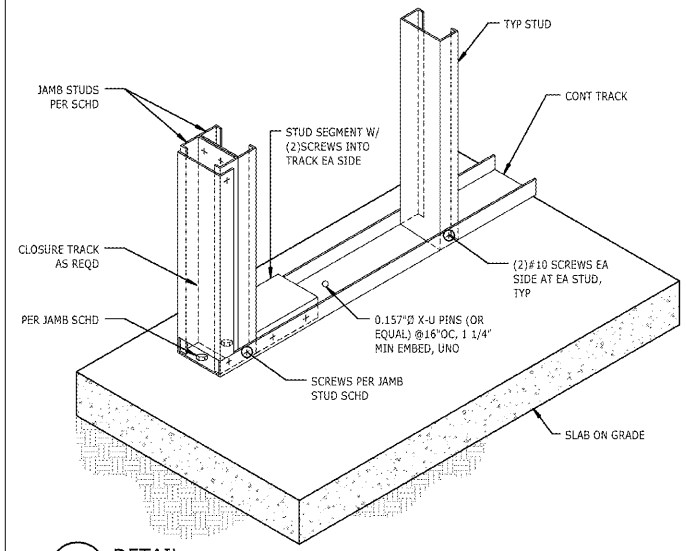
2 DETAIL
S7.1 DETAIL NTS



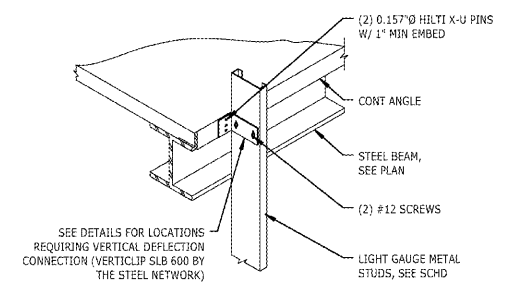
8 DETAIL
S7.1 TYPICAL METAL STUD DEFLECTION TRACK NTS



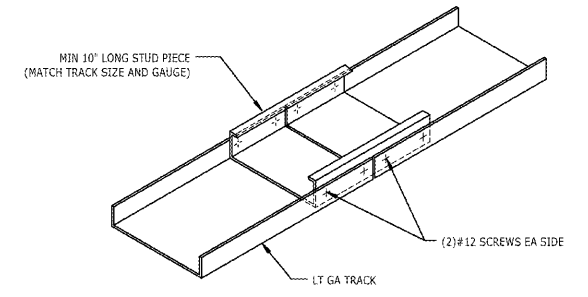
5 DETAIL
S7.1 DETAIL
3/4\"/>



2 DETAIL
S7.1 DETAIL NTS



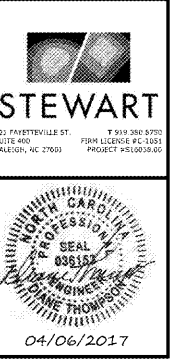
6 DETAIL
S7.1 DETAIL NTS



3 DETAIL
S7.1 DETAIL NTS
NOTES:
1. SPLICE SHALL OCCUR OVER CENTERLINE OF VERTICAL STUD, TYP.



Finley Design PA
7806 nc hwy 751
Suite 110
Durham, NC 27713
919-493-8200
FINLEYDESIGNARCH.COM



Westpoint 2 Durham, NC

REVISIONS	

PROJECT: S16038.00
DATE: 04/06/2017
DRAWN BY: KB
CHECKED BY: DJT

TYPICAL METAL STUD DETAILS

S7.1