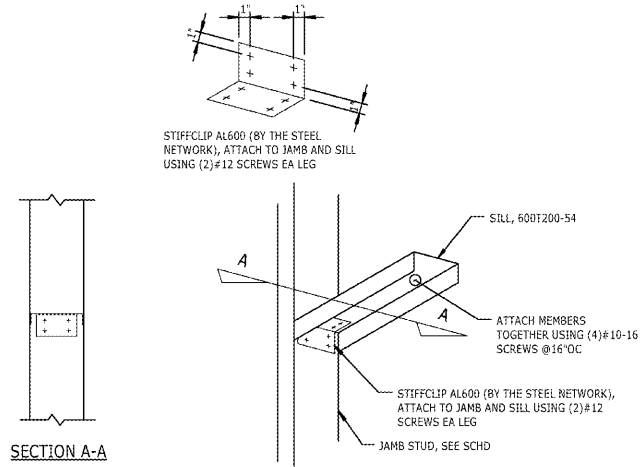
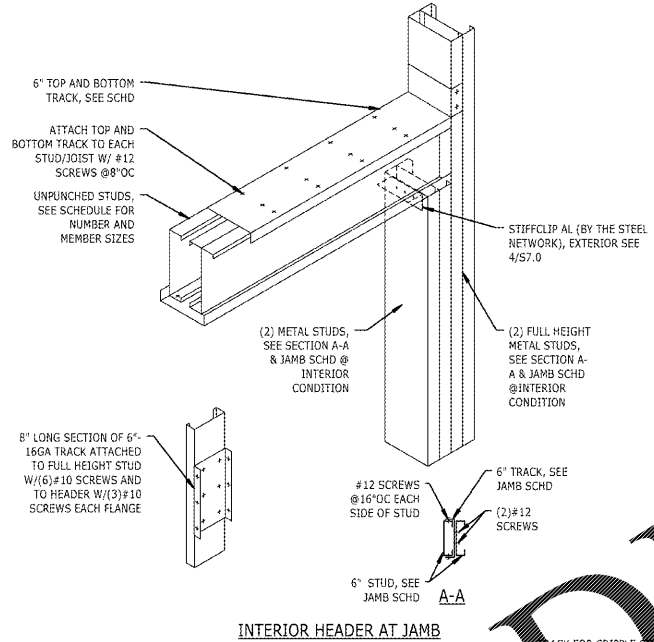


| INTERIOR HEADER SCHEDULE | | |
|--|---------------|---------------|
| WALL WIDTH | 4" WALL | 6" WALL |
| VERT STUDS | (2)3623137-33 | (2)600S137-33 |
| HORIZ TRACKS | (2)362T125-33 | (2)600T125-33 |
| NO. OF SCREWS IN EA SEAT OF STIFFCLIP AL | 2 | 2 |

8 SCHEDULE
S7.0 SCHEDULE NTS



5 DETAIL
S7.0 TYPICAL SILL FOR OPENINGS 3/4" = 1'-0"



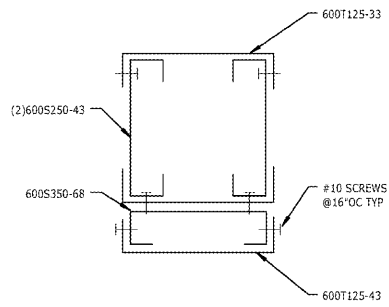
INTERIOR HEADER AT JAMB

4 DETAIL
S7.0 3/4" = 1'-0"

| NON-LOAD BEARING EXTERIOR WALL CONSTRUCTION SCHEDULE | | | | | | |
|--|--------------------|------------|----------------|---------|-------------|-------------------|
| HEIGHT | TYPE | SIZE/GAUGE | F _y | SPACING | BRIDGING | NOTES |
| ALL FLOORS | EXTERIOR | 600S162-33 | 33 KSI | 16"OC | 4'-0"OC MAX | |
| CORNER ZONE ALL FLOORS | EXTERIOR | 600S137-33 | 33 KSI | 12"OC | 4'-0"OC MAX | CORNER ZONE WIDTH |
| ALL FLOORS | INTERIOR (4" WALL) | 362S137-33 | 33 KSI | 16"OC | 4'-0"OC MAX | |
| ALL FLOORS | INTERIOR (6" WALL) | 600S137-33 | 33 KSI | 16"OC | 4'-0"OC MAX | |

1 SCHEDULE
S7.0 WALL CONSTRUCTION SCHEDULE NTS

- NOTES:
1. UNITS IN PARENTHESES ARE IN INCHES.
 2. "F_y" INDICATES MINIMUM YIELD STRENGTH.
 3. TOP AND BOTTOM TRACK SHALL BE 54-MIL (16GA) MINIMUM THICKNESS.
 4. CRIPPLE STUDS TO MATCH FULL HEIGHT-WALL STUDS SIZE AND SPACING.



9 DETAIL
S7.0 S7.0 - 09 NTS

| EXTERIOR HEADER SCHEDULE | | |
|----------------------------------|---------------|---|
| WALL OPENING WIDTH | VERT STUDS | HORIZONTAL STUDS |
| UP TO 4'-0" | (2)600S137-33 | (2)600T125-33 |
| 4'-1" TO 10'-8" | (2)600S137-54 | (2)600T125-54 |
| 10'-9" TO 12'-8" | (2)600S200-33 | (2)600T125-68 |
| 15'-6" MAX (NO BRICK) SEE NOTE 2 | (2)600S250-43 | (2)600T125-68 (1)600S350-68 (1)600T125-43 |

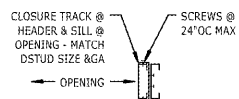
6 SCHEDULE
S7.0 SCHEDULE NTS

- NOTES:
1. SEE 3/S7.0 FOR TYPICAL HEADER
 2. SEE 9/S7.0 FOR 15'-6" HEADER

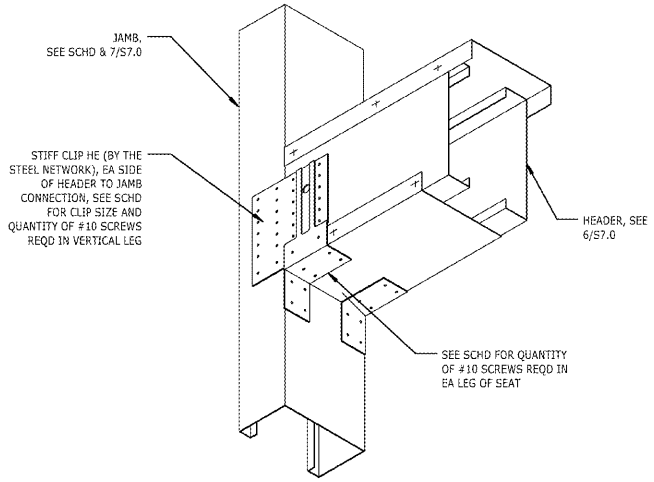
| JAMB STUD SCHEDULE | | | | |
|--|-------------------------------|-------------------------------|-------------------------------|-------------------------------|
| JAMB TYPE | UP TO 4'-0" | 4'-1" TO 10'-8" | 10'-9" TO 12'-8" | 15'-6" MAX (NO BRICK) |
| JAMB STUDS | (2)600S162-43 + (1)600T150-43 | (2)600S250-54 + (1)600T200-54 | (2)600S350-54 + (1)600T200-54 | (2)600S300-68 + (1)600T200-68 |
| CONNECTION AT BASE | 2 PAF'S (1 1/4" EMBED) | 2 PAF'S (1 1/4" EMBED) | 2 PAF'S (1 1/4" EMBED) | 2 PAF'S (1 1/4" EMBED) |
| NO. OF SCREWS INTO VERTCLIP ON EA SIDE OF JAMB AT ROOF | (2) #12 EA SIDE | (2) #12 EA SIDE | (3) #12 EA SIDE | (3) #12 EA SIDE |
| CONNECTION OF VERTCLIP (SL600) TO ROOF | 2 PAF'S EA CLIP | 2 PAF'S EA CLIP | 3 PAF'S EA CLIP | 3 PAF'S EA CLIP |

7 SCHEDULE
S7.0 SCHEDULE NTS

- NOTES:
1. "PAF" INDICATES 0.157"Ø HILTI X-U POWDER ACTUATED FASTENERS OR APPROVED ALTERNATE.
 2. SEE 2/S7.0, 3/S7.0 FOR ADDITIONAL JAMB STUD INFORMATION.
 3. JAMB STUD APPLIES EACH SIDE OF OPENING, WHERE OPENINGS ARE SIDE BY SIDE, JAMB STUDS ARE REQ'D PER OPENING (NOT COMBINED).

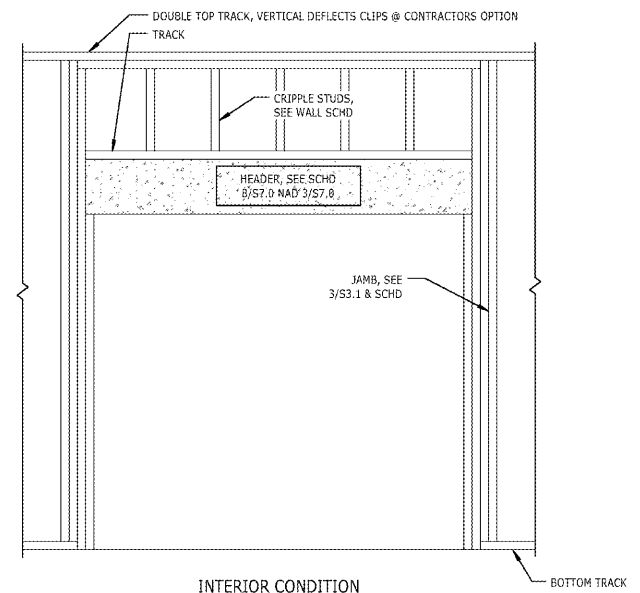


DOUBLE JAMB DETAIL

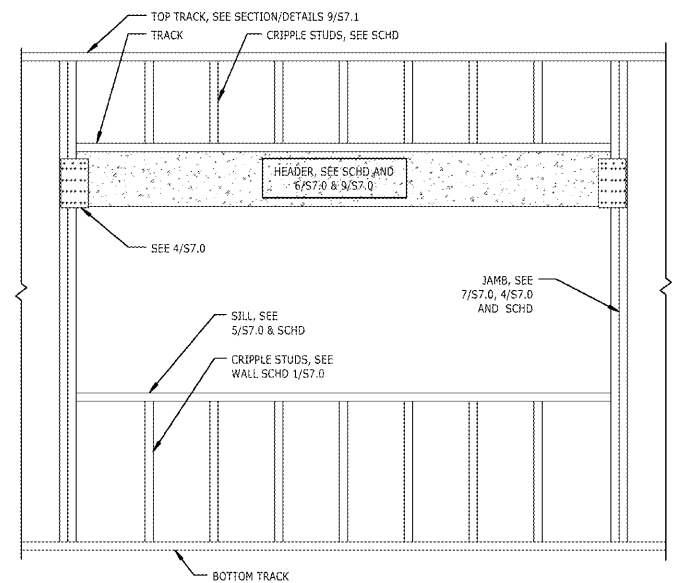


| STIFFCLIP HE SIZE HE-43, 50ksi | WALL OPENING WIDTH | | | |
|--------------------------------|--------------------|-----------------|------------------|--------------|
| | UP TO 4'-0" | 4'-1" TO 10'-8" | 10'-9" TO 12'-8" | UP TO 15'-6" |
| NO. OF SCREWS IN VERT LEG | 8 | 8 | 8 | 12 |
| NO. OF SCREWS IN EA SEAT | 4 | 4 | 6 | 4 |

4 DETAIL
S7.0 EXTERIOR CONDITION NTS



INTERIOR CONDITION

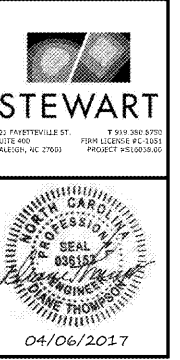


EXTERIOR CONDITION

2 ELEVATION
S7.0 3/4" = 1'-0"



Finley Design PA
7806 nc hwy 751
Suite 110
Durham, NC 27713
919-493-8200
FINLEYDESIGNARCH.COM



Westpoint 2 Durham, NC

REVISIONS

PROJECT: S16038.00
DATE: 04/06/2017
DRAWN BY: KB
CHECKED BY: DJT

TYPICAL METAL STUD DETAILS

S7.0

Order Plans @