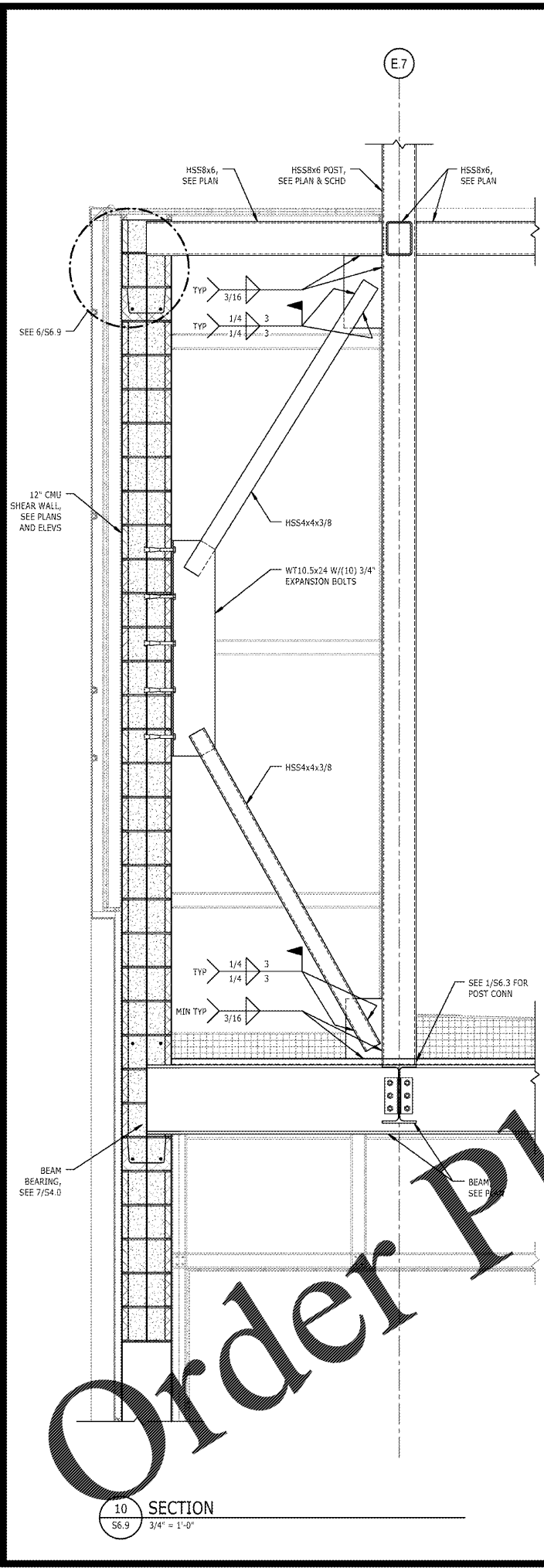
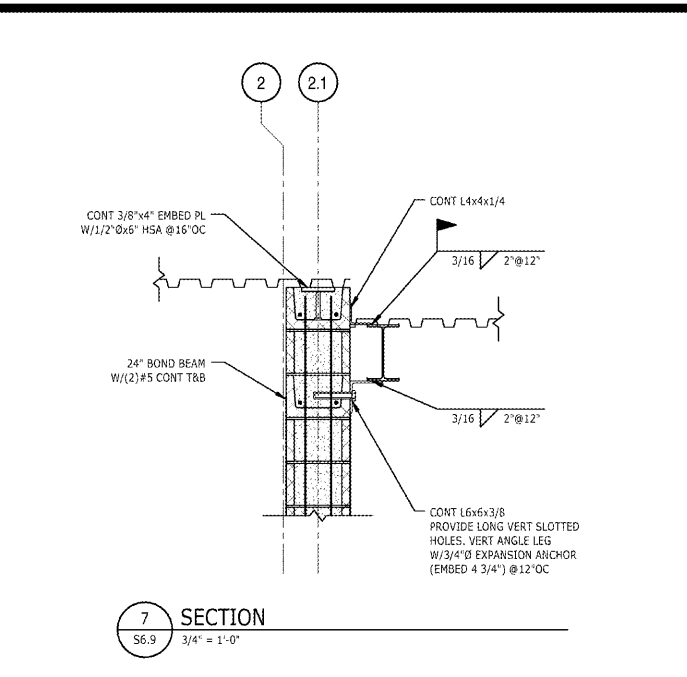


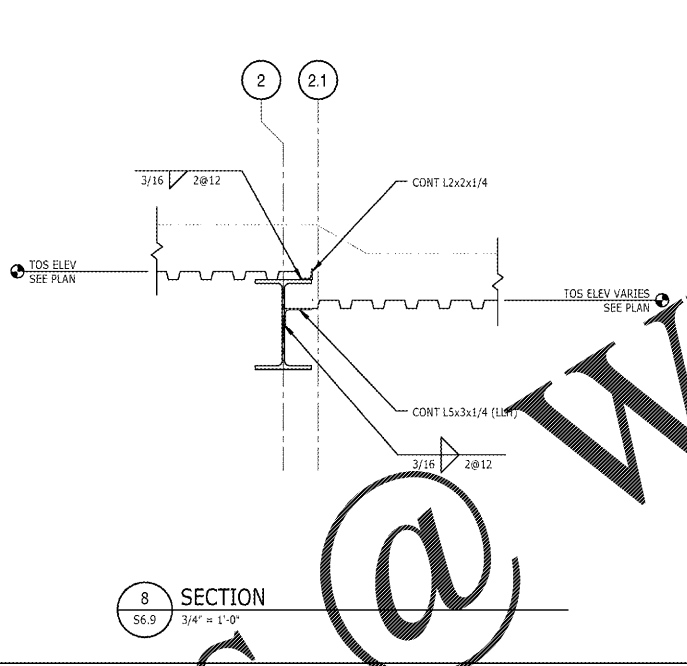
/VOLUMES/F DRIVE/FINLEY DESIGN/PROJECTS/1342 WESTPOINT 2/DRAWINGS/TITLEBLOCKS/1342-X-TB.DWG



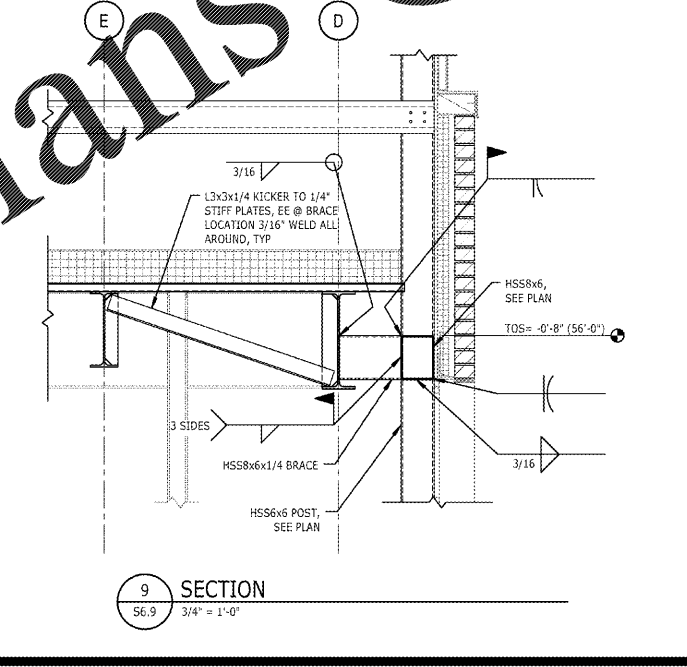
10 SECTION  
S6.9 3/4" = 1'-0"



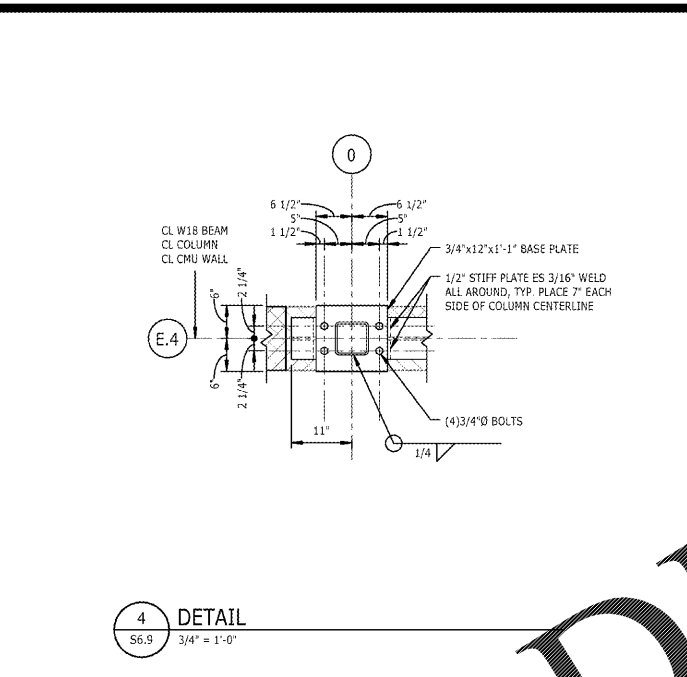
7 SECTION  
S6.9 3/4" = 1'-0"



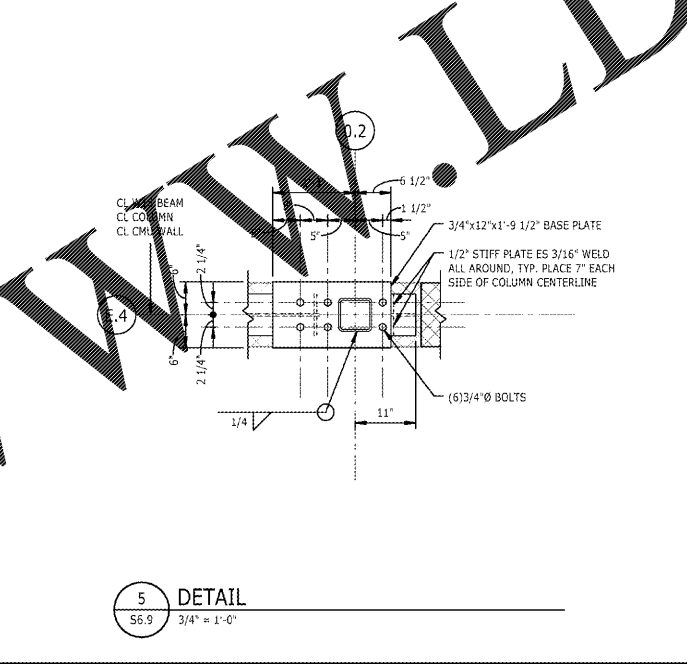
8 SECTION  
S6.9 3/4" = 1'-0"



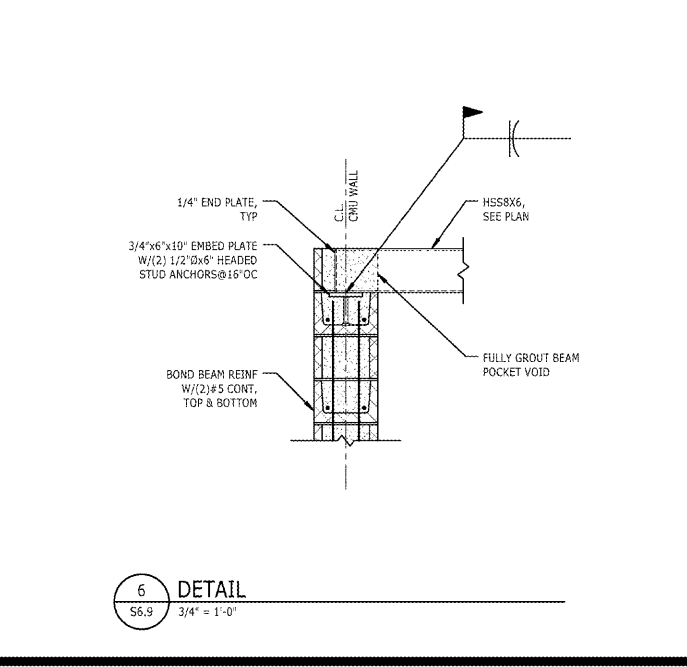
9 SECTION  
S6.9 3/4" = 1'-0"



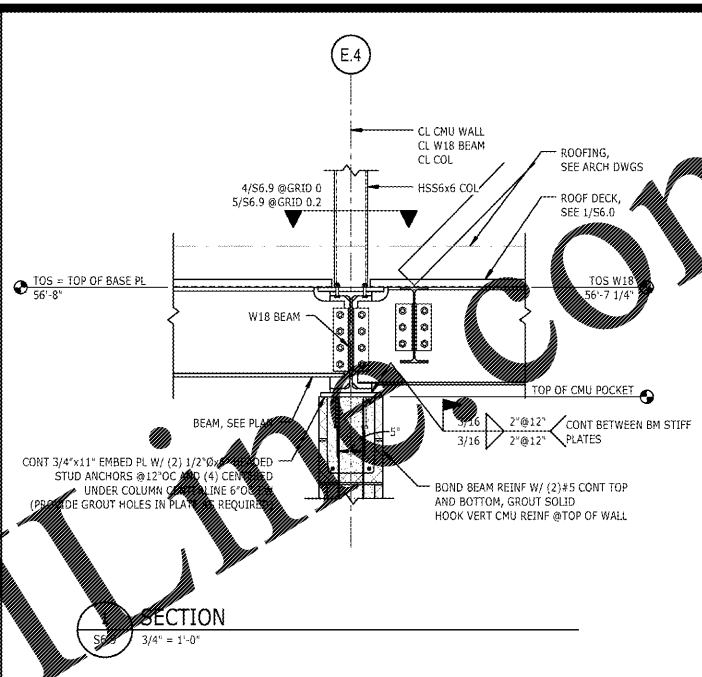
4 DETAIL  
S6.9 3/4" = 1'-0"



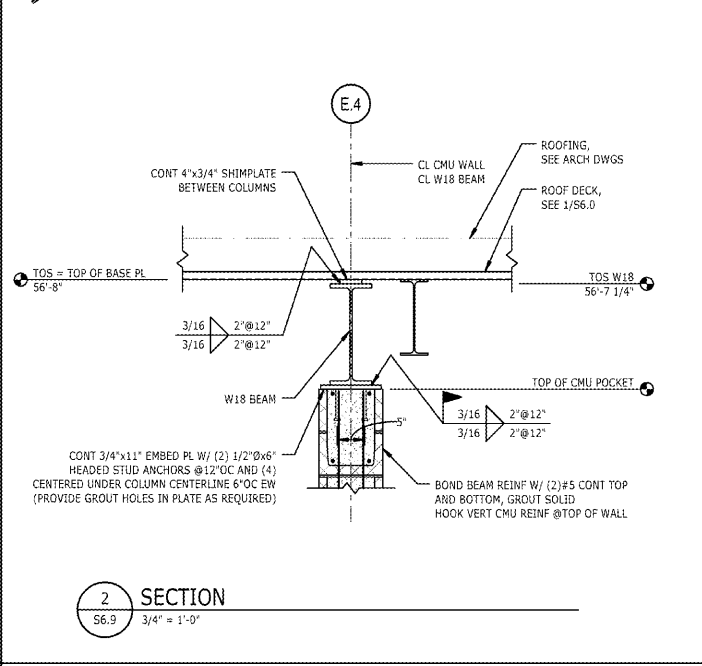
5 DETAIL  
S6.9 3/4" = 1'-0"



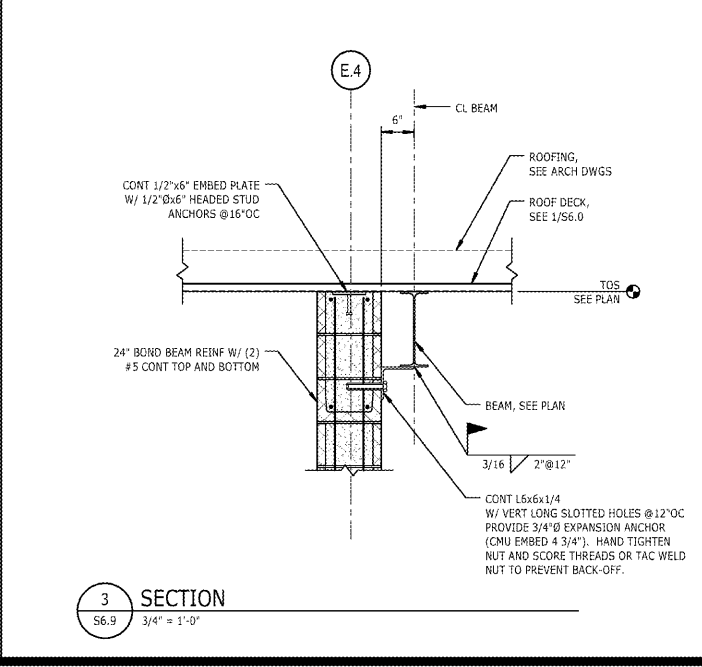
6 DETAIL  
S6.9 3/4" = 1'-0"



4 SECTION  
S6.9 3/4" = 1'-0"

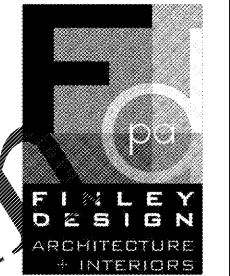


2 SECTION  
S6.9 3/4" = 1'-0"



3 SECTION  
S6.9 3/4" = 1'-0"

Order Plans @ WWW.LDILLING.COM



**Finley Design PA**  
7806 nc hwy 751  
Suite 110  
Durham, NC 27713  
919-493-8200  
FINLEYDESIGNARCH.COM



Westpoint 2 Durham, NC

REVISIONS	

PROJECT: S16038.00  
DATE: 04/06/2017  
DRAWN BY: DR  
CHECKED BY: DJT

**ROOF FRAMING SECTIONS AND DETAILS**

S6.9