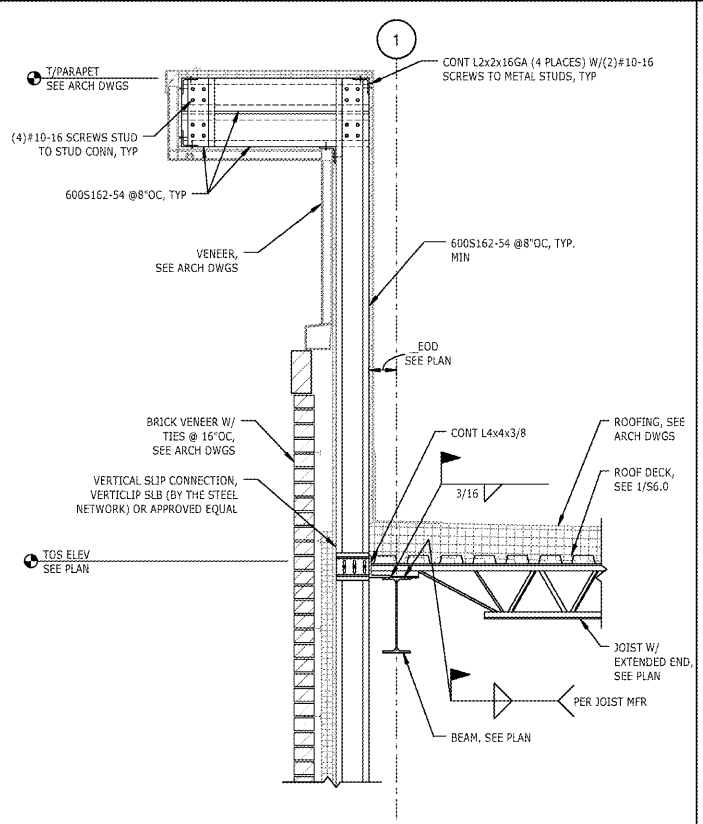
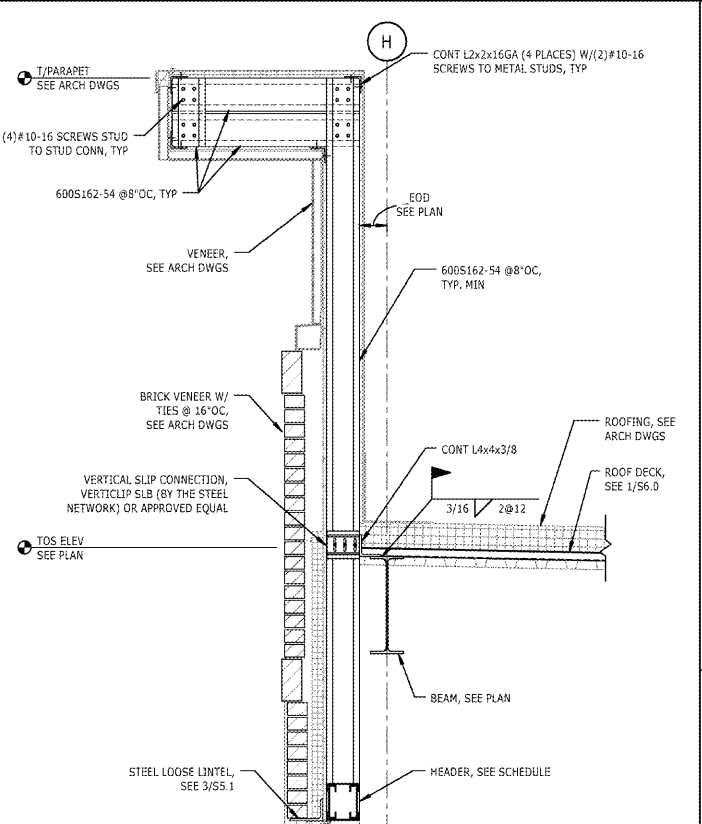


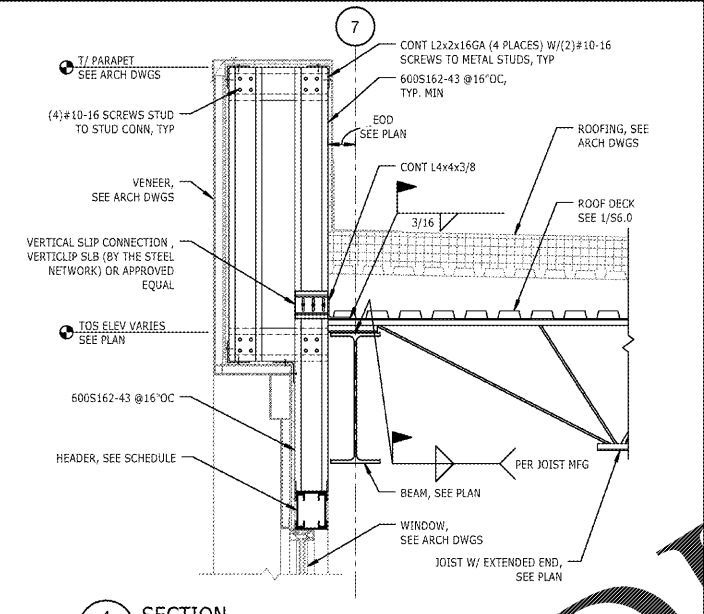
\\VOLUMES\F DRIVE\FINLEY DESIGN\PROJECTS\1342 WESTPOINT 2\DRAWINGS\TITLEBLOCKS\1342-X-TB.DWG



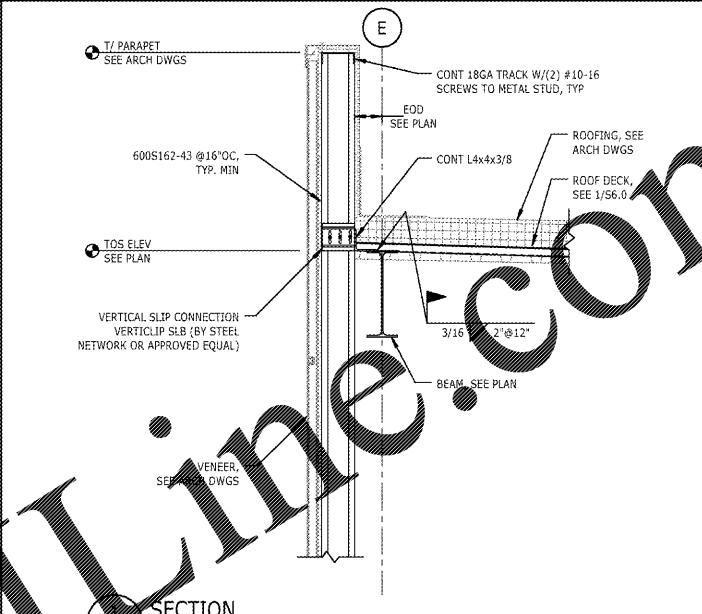
9 SECTION
S6.1 3/4" = 1'-0"



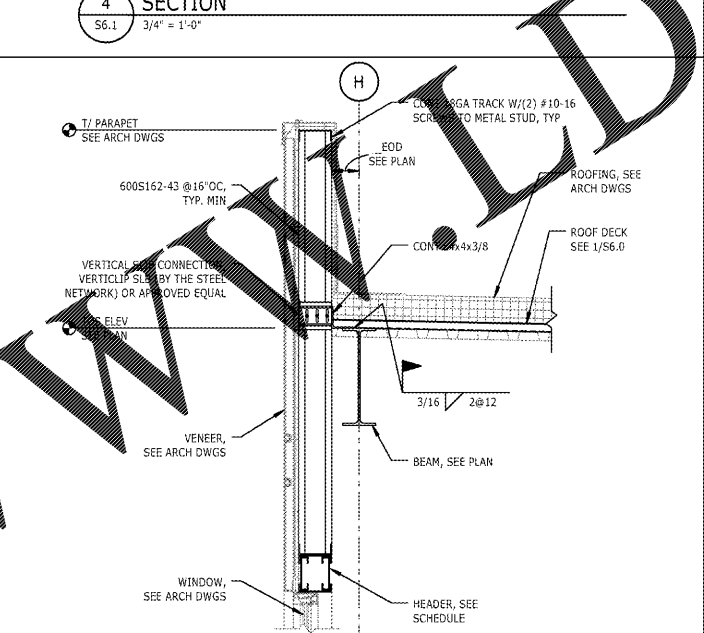
7 SECTION
S6.1 3/4" = 1'-0"



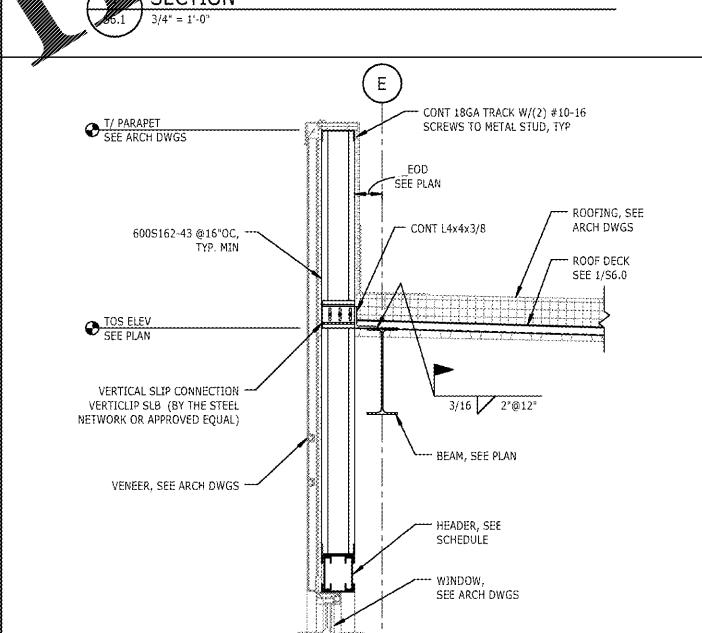
4 SECTION
S6.1 3/4" = 1'-0"



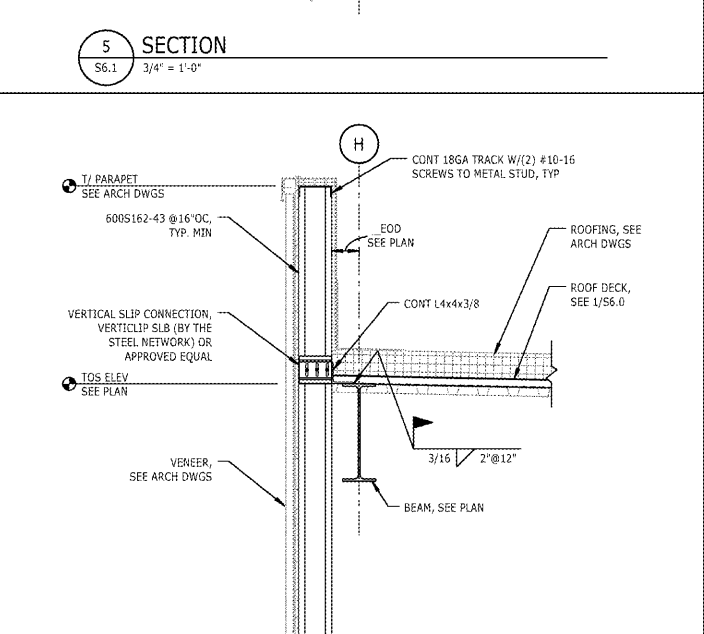
1 SECTION
S6.1 3/4" = 1'-0"



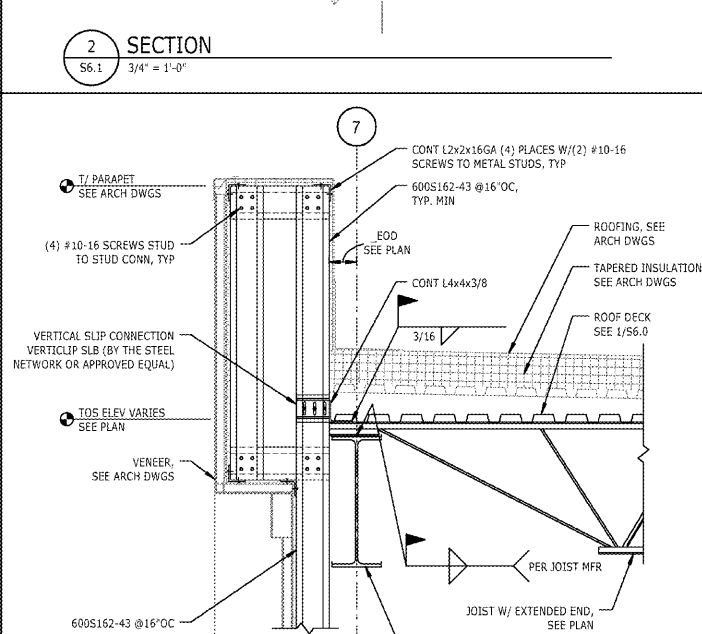
5 SECTION
S6.1 3/4" = 1'-0"



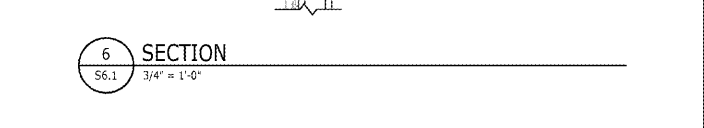
2 SECTION
S6.1 3/4" = 1'-0"



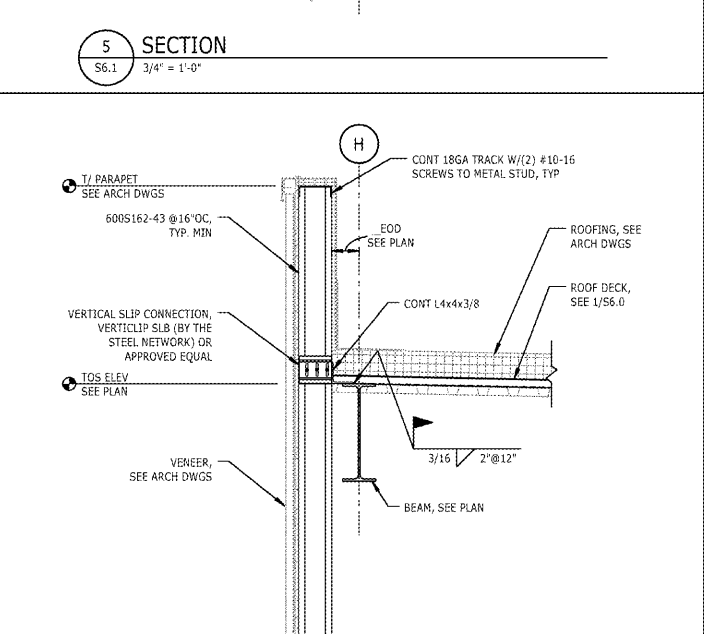
6 SECTION
S6.1 3/4" = 1'-0"



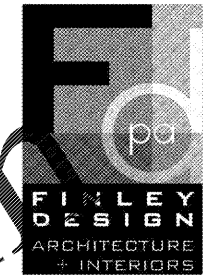
3 SECTION
S6.1 3/4" = 1'-0"



8 SECTION
S6.1 3/4" = 1'-0"



10 SECTION
S6.1 3/4" = 1'-0"



Finley Design PA
7806 nc hwy 751
Suite 110
Durham, NC 27713
919-493-8200
FINLEYDESIGNARCH.COM



Westpoint 2 Durham, NC

REVISIONS

NO.	DESCRIPTION	DATE

PROJECT: S16038.00
DATE: 04/06/2017
DRAWN BY: DR
CHECKED BY: DJT

ROOF FRAMING SECTIONS AND DETAILS

S6.1