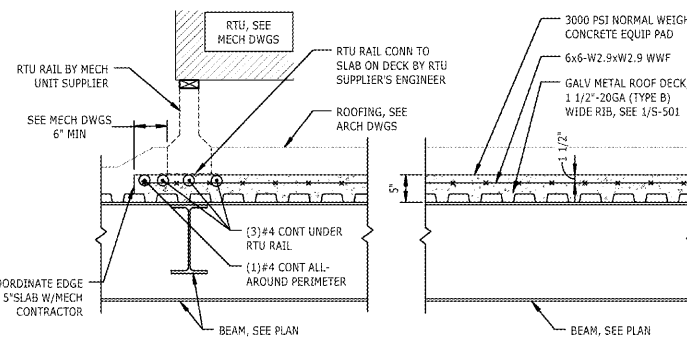
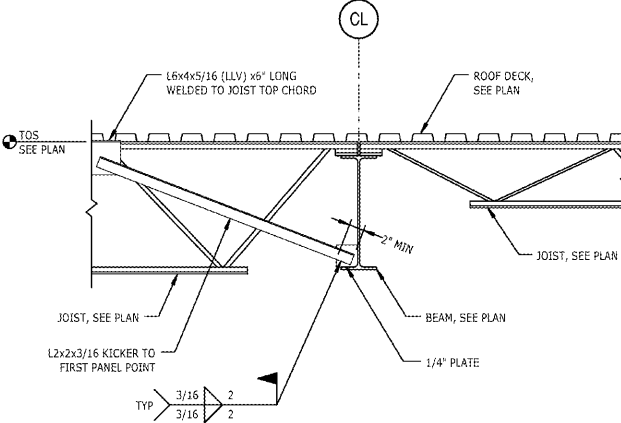


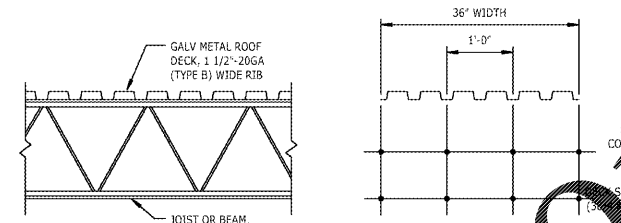
# Order Plans



7 ROOF EQUIPMENT PAD  
S6.0 3/4" x 1'-0"



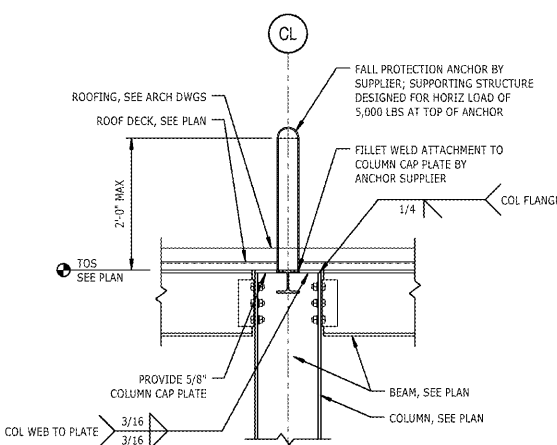
4 DETAIL  
S6.0 TYPICAL BEAM BOTTOM FLANGE BRACING - "BBFB" NTS



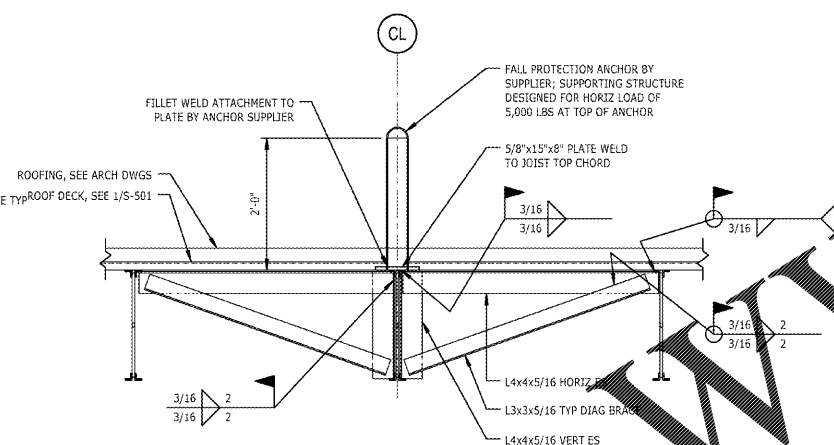
NOTES:

1. ATTACH DECK TO SUPPORTING MEMBERS WITH SELF-DRILLING SELF-TAPPING H.W. WASHER HEAD SCREWS #12-24 FOR DECK ATTACHMENT TO SUPPORTS AND #10-16 FOR SIDELAP ATTACHMENT.
2. AT DECK BEARING SUPPORTS, PROVIDE SCREWS @12"OC (36/4 PATTERN).
3. AT SUPPORTS PARALLEL TO DECK SPAN, PROVIDE SCREWS @12"OC TYPICAL.
4. AT DECK SIDELAPS/PERIMETER EDGE, PROVIDE SCREWS @12"OC TYPICAL. WELDING ON SIDELAPS IS NOT PERMITTED FOR 20GA DECK.
5. MINIMUM DECK PROPERTIES: 1 1/2"-20 GAGE; I<sub>p</sub>=0.33 in<sup>4</sup>/ft; S<sub>x</sub>=0.334 in<sup>3</sup>/ft; r<sub>x</sub>=0.222 in/ft; S<sub>y</sub>=0.247 in<sup>3</sup>/ft; F<sub>y</sub>=33 ksi. DECK SHALL BE CONTINUOUS OVER (2) BEARING SPANS TYPICAL.
6. 5/8" Ø RUDDELE BOLTS MAY BE USED AT ATTACHMENT TO SUPPORTS AT SAME SPACING SPECIFIED ABOVE. SIDELAP FASTENING MUST BE SCREWED AS DESCRIBED ABOVE.
7. CONTRACTOR OPTION TO SUBSTITUTE MECHANICAL JOIST SYSTEMS, SIMPSON STRONG-TIE OR APPROVED EQUAL. SUBSTITUTION REQUEST FOR PRODUCTS MAY BE SUBMITTED BY THE CONTRACTOR TO THE ENGINEER-OF-RECORD (EOR) FOR REVIEW. SUBSTITUTION REQUEST WILL ONLY BE CONSIDERED FOR PRODUCTS THAT MEET THE CODE REQUIREMENTS FOR DECK ATTACHMENT, POSSESS A GLOBAL APPROVAL AND POSSESS A CODE REPORT (ICC-ES) RECOGNIZING THE PRODUCT FOR THE APPROPRIATE APPLICATION. SUBSTITUTION REQUESTS SHALL INCLUDE CALCULATIONS THAT DEMONSTRATE THE SUBSTITUTED PRODUCT IS CAPABLE OF EXCEEDING THE EQUIVALENT PERFORMANCE VALUES OF THE DESIGN BASIS PRODUCT. CONTRACTOR SHALL CONTACT MANUFACTURER'S REPRESENTATIVE FOR PRODUCT INSTALLATION TRAINING AND A LETTER SHALL BE SUBMITTED TO THE EOR INDICATING TRAINING HAS TAKEN PLACE. FASTENERS SHALL BE COLLATED AND INSTALLED PER THE MANUFACTURER'S DELIVERY TOOL AND FOLLOWING MANUFACTURER'S INSTRUCTIONS.

1 DETAIL  
S6.0 TYPICAL ROOF CONSTRUCTION, 1 1/2" METAL ROOF DECK - D1 NTS

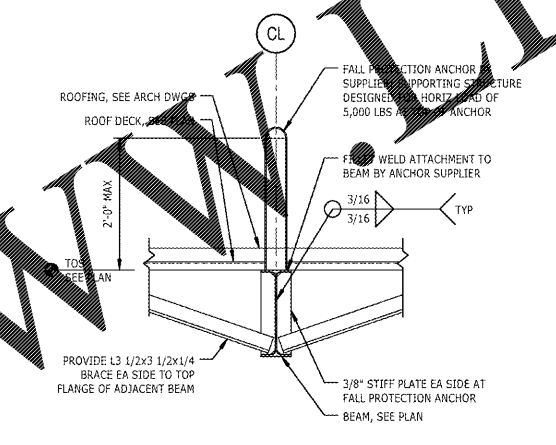


FALL PROTECTION ANCHOR AT COLUMN



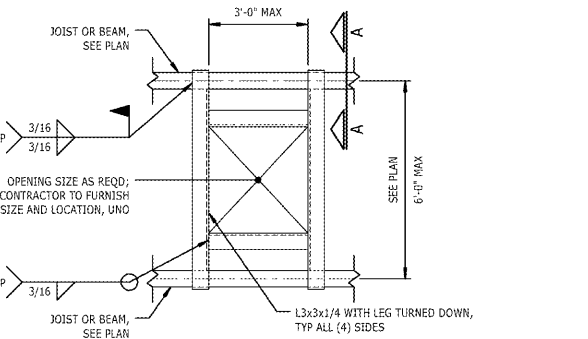
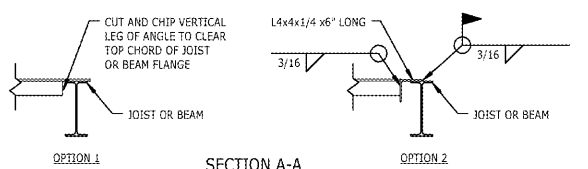
FALL PROTECTION ANCHOR AT JOIST OR PROVIDE "JOIST WRAP ANCHOR"

5 DETAIL  
S6.0 TYPICAL FALL PROTECTION ANCHOR NTS



FALL PROTECTION ANCHOR AT BEAM

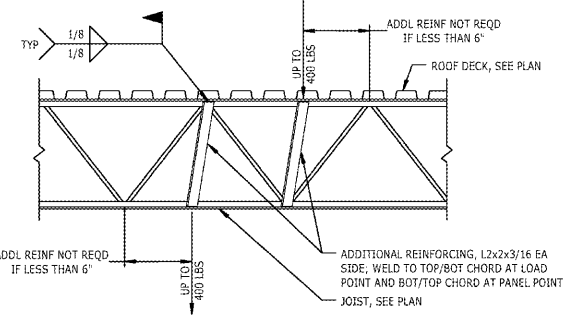
6 DETAIL  
S6.0 TYPICAL BEAM CANTILEVERED OVER COLUMN NTS



2 DETAIL  
S6.0 TYPICAL FRAMING AROUND ROOF OPENINGS, 1 1/2" METAL ROOF DECK NTS

NOTES:

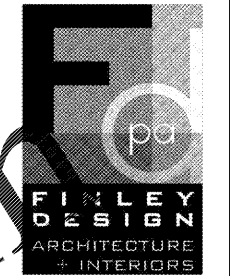
1. PROVIDE ANGLE FRAMING AROUND ALL OPENINGS LARGER THAN 10"x10" (10'Ø).



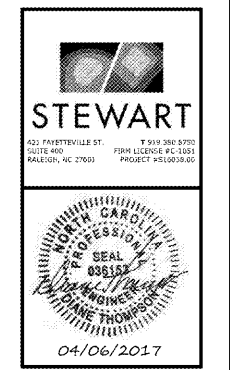
3 DETAIL  
S6.0 TYPICAL REINFORCING FOR CONCENTRATED LOADS ON STEEL JOISTS NTS

NOTES:

1. WHERE POSSIBLE, ALL LOADS ARE TO BE SUPPORTED FROM PANEL POINTS. WHERE NOT POSSIBLE, PROVIDE REINFORCEMENT AS DETAILED.
2. LOADS LESS THAN 100 LBS REQUIRE NO ADDITIONAL REINFORCING. LOADS LARGER THAN 400 LBS PER JOIST REQUIRE SPECIAL SUPPORT CONDITIONS TO BE APPROVED BY THE ENGINEER OF RECORD.
3. BOTTOM CHORDS EXTENDING UNSUPPORTED PAST THE FIRST BOTTOM PANEL POINT TOWARD JOIST BEARING LOCATION ARE NOT TO BE USED TO SUPPORT ANY LOAD WITHOUT WRITTEN PERMISSION FROM THE ENGINEER OF RECORD.



Finley Design PA  
7806 nc hwy 751  
Suite 110  
Durham, NC 27713  
919-493-8200  
FINLEYDESIGNARCH.COM



Westpoint 2 Durham, NC

REVISIONS

NO.	DATE	DESCRIPTION

PROJECT: S16028.00  
DATE: 04/06/2017  
DRAWN BY: DR  
CHECKED BY: DJT

TYPICAL ROOF FRAMING SECTIONS AND DETAILS  
S6.0