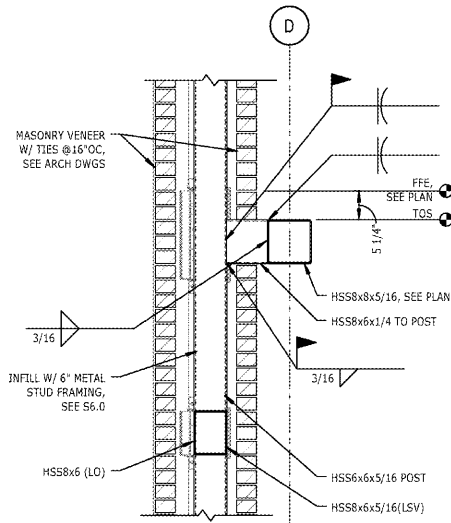
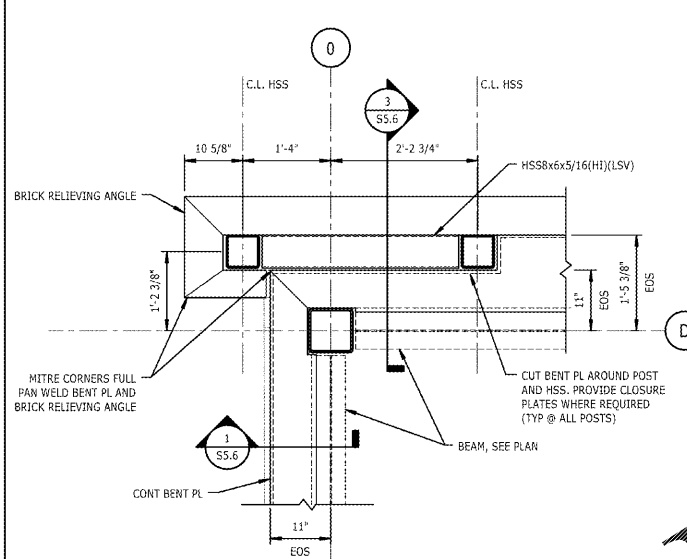


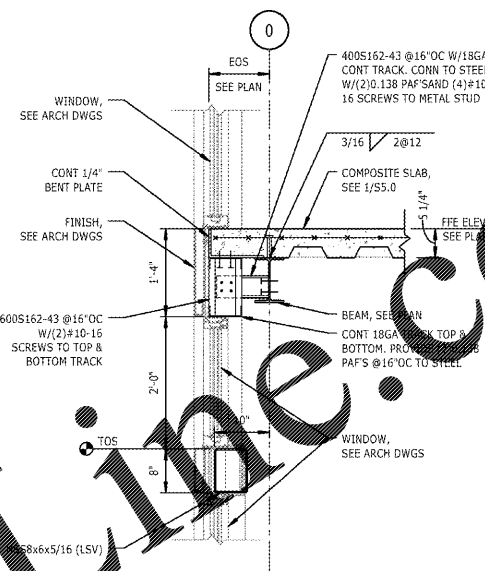
10 PLAN DETAIL
SS.6 3/4\"/>



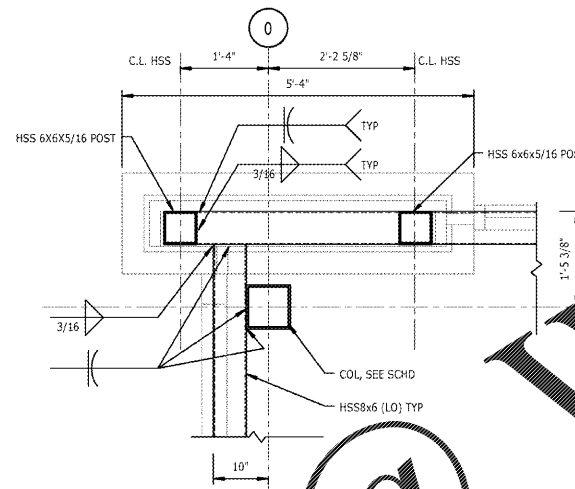
7 SECTION
SS.6 3/4\"/>



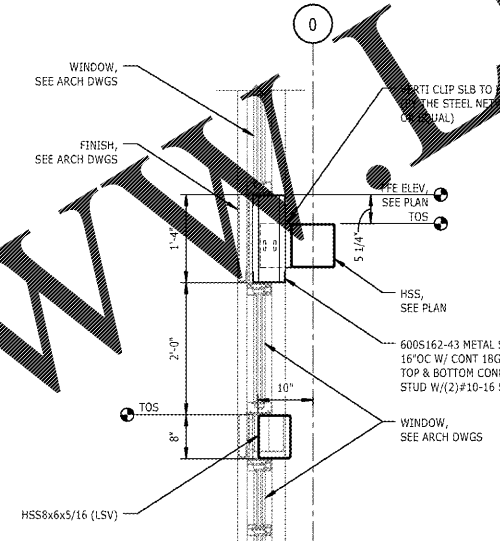
4 PLAN DETAIL
SS.6 3/4\"/>



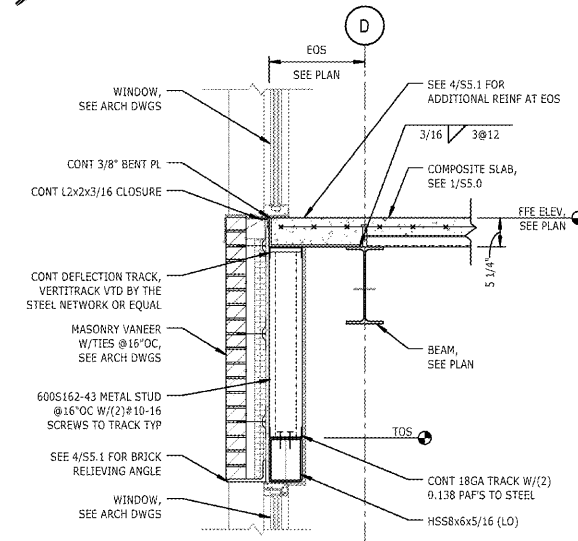
0 SECTION
SS.6 3/4\"/>



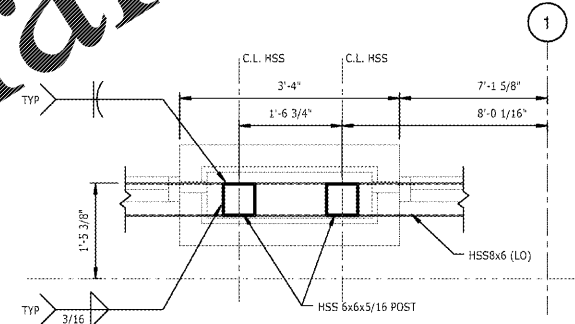
8 PLAN DETAIL
SS.6 3/4\"/>



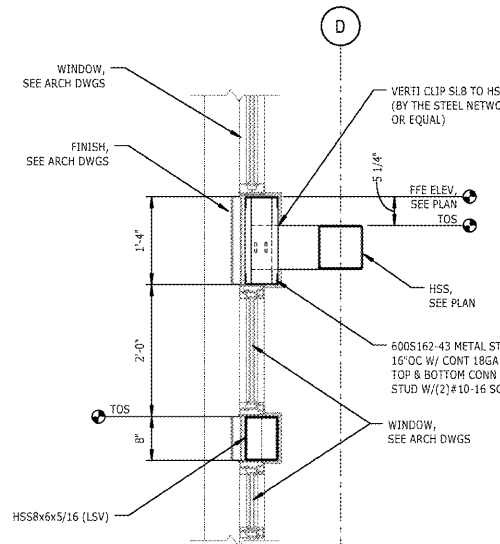
5 SECTION
SS.6 3/4\"/>



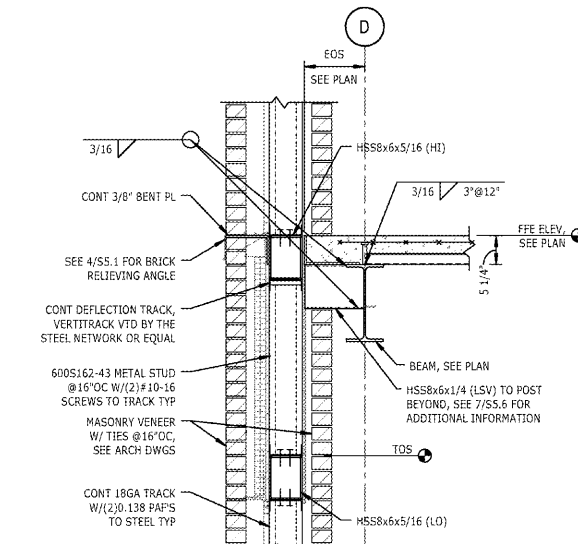
2 SECTION
SS.6 3/4\"/>



9 PLAN DETAIL
SS.6 3/4\"/>



6 SECTION
SS.6 3/4\"/>

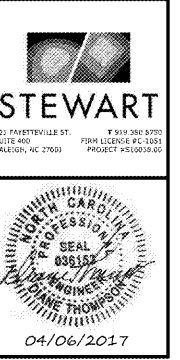


3 SECTION
SS.6 3/4\"/>

Order Plans @ WWW.DLINE.COM



Finley Design PA
7806 nc hwy 751
Suite 110
Durham, NC 27713
919-493-8200
FINLEYDESIGNARCH.COM



Westpoint 2 Durham, NC

REVISIONS table with columns for revision number, description, and date.

PROJECT: S16028.00
DATE: 04/06/2017
DRAWN BY: DR
CHECKED BY: DJT
FLOOR FRAMING SECTIONS AND DETAILS
SS.6