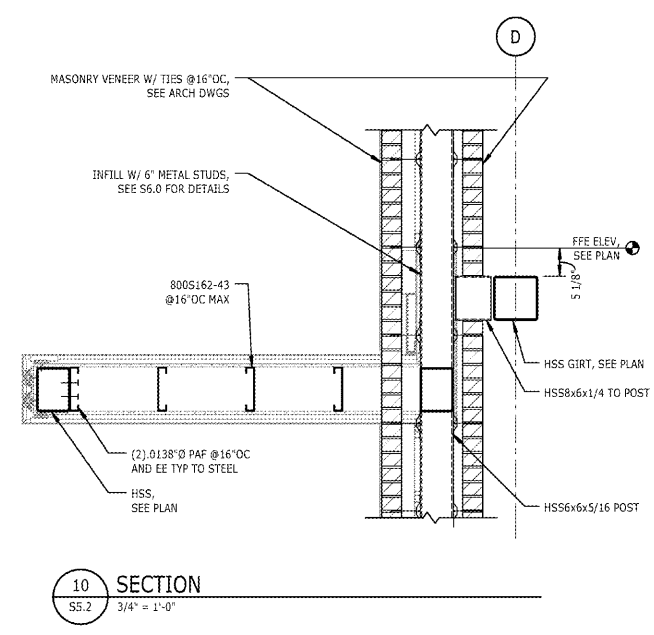
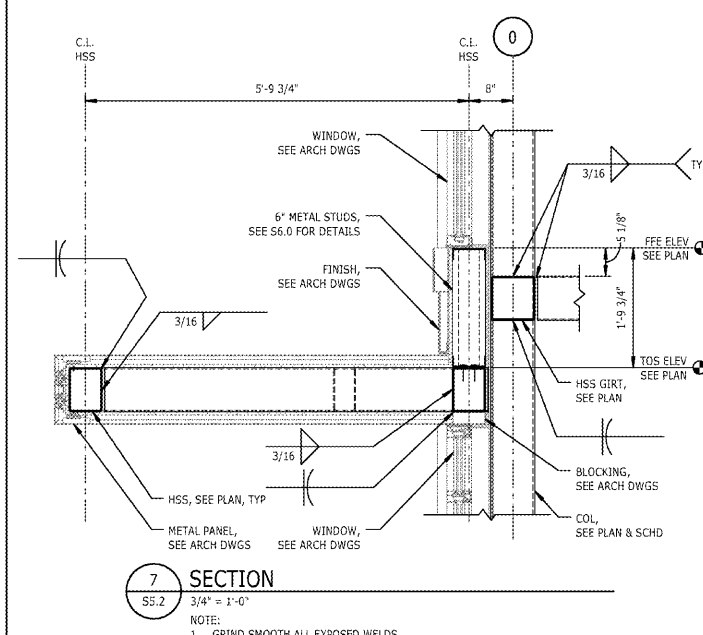


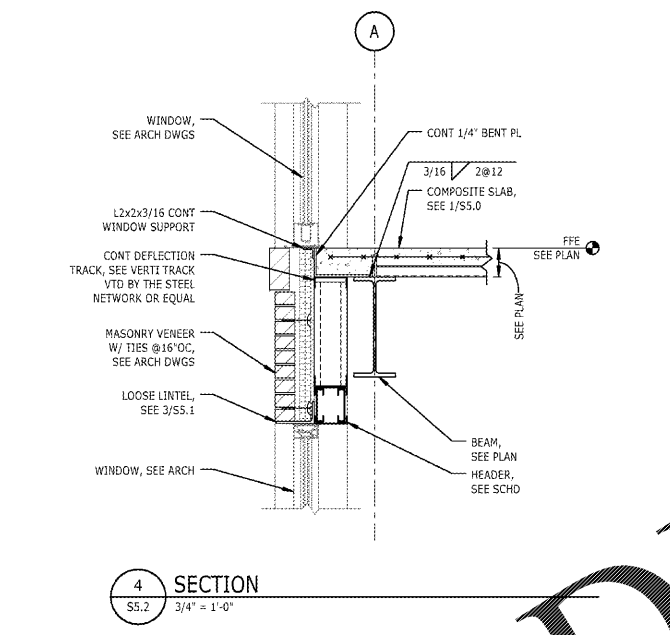
/VOLUMES/F DRIVE/FINLEY DESIGN/PROJECTS/1342 WESTPOINT 2/DRAWINGS/TITLEBLOCKS/1342-X-TB.DWG



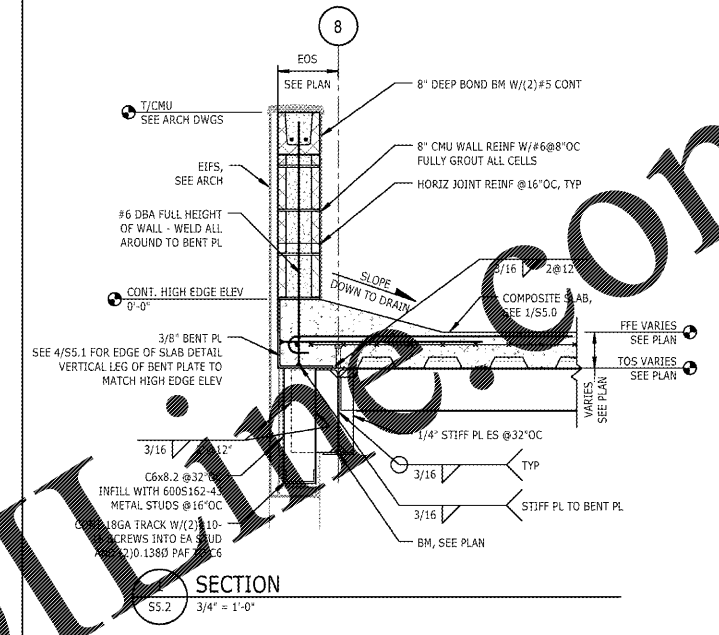
**10 SECTION**  
SS.2 3/4" = 1'-0"



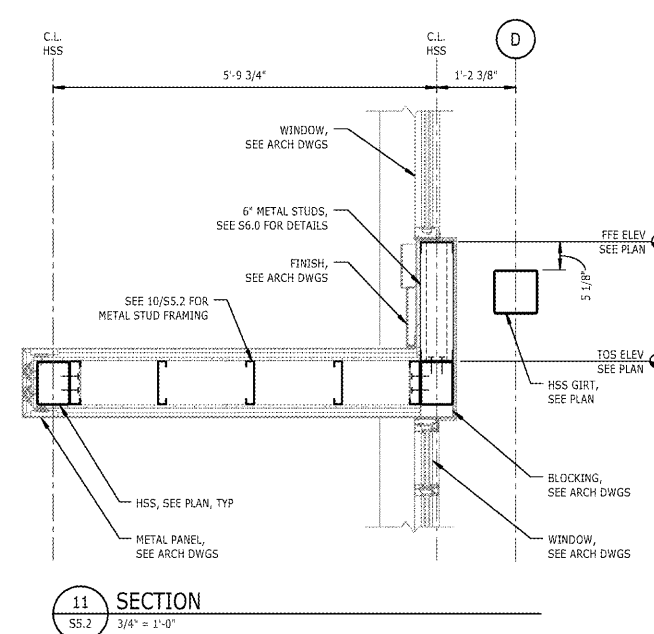
**7 SECTION**  
SS.2 3/4" = 1'-0"



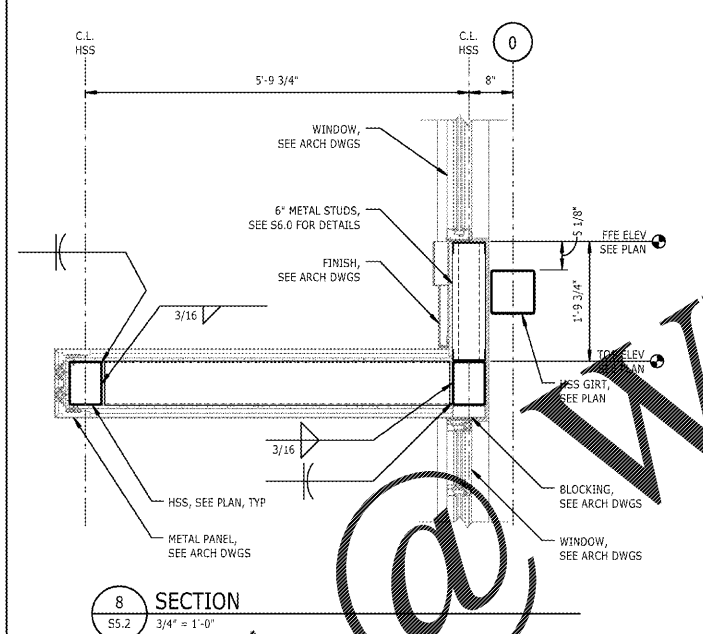
**4 SECTION**  
SS.2 3/4" = 1'-0"



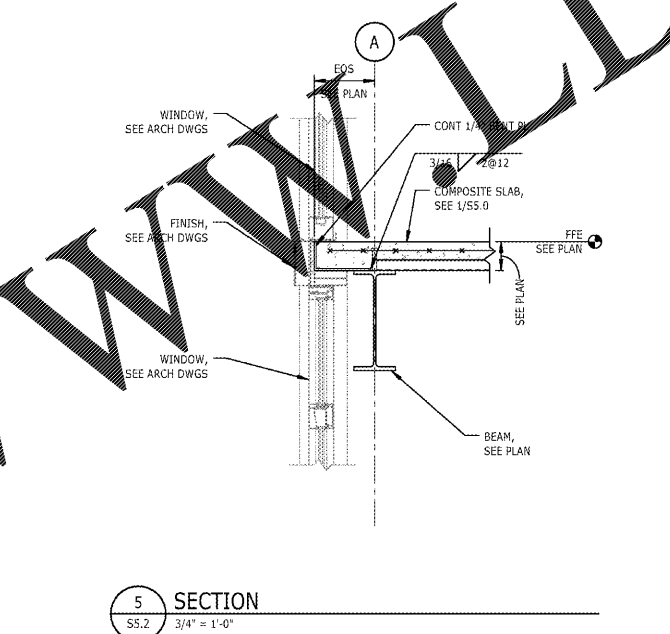
**8 SECTION**  
SS.2 3/4" = 1'-0"



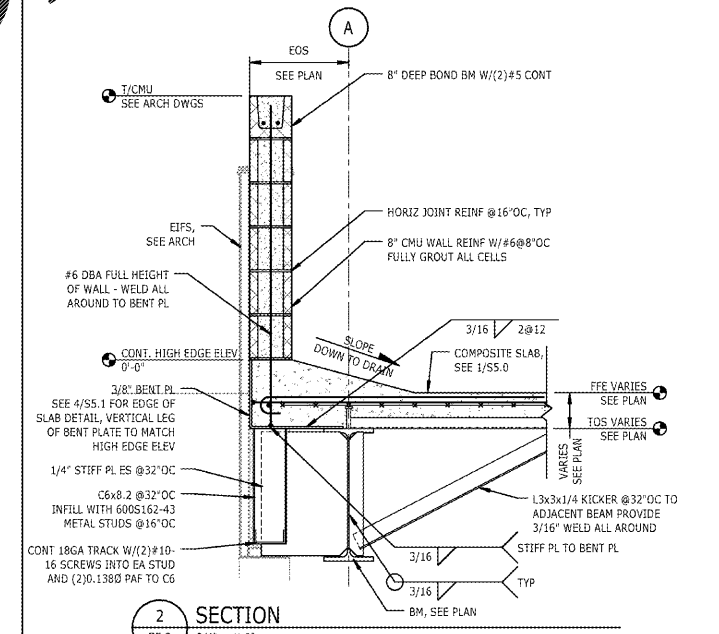
**11 SECTION**  
SS.2 3/4" = 1'-0"



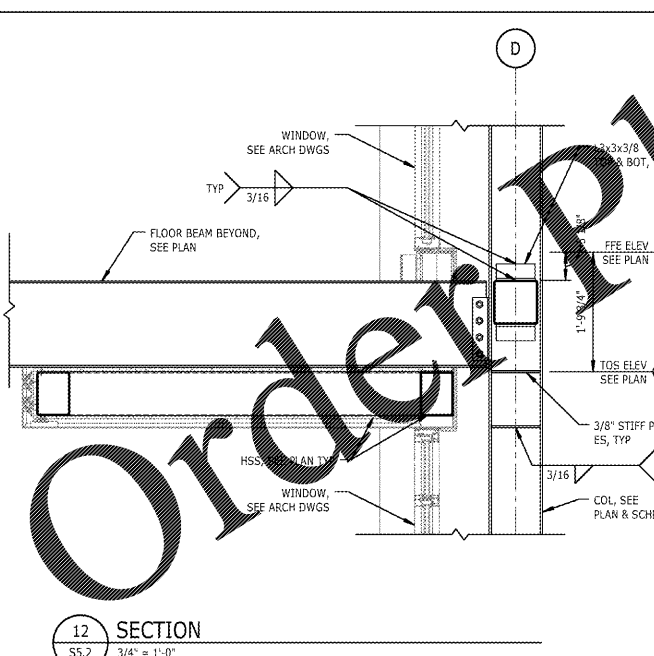
**8 SECTION**  
SS.2 3/4" = 1'-0"



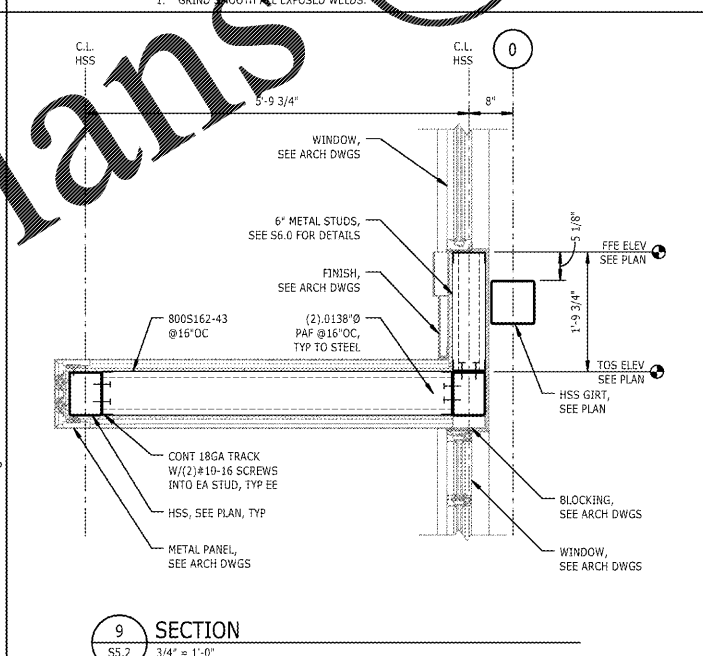
**5 SECTION**  
SS.2 3/4" = 1'-0"



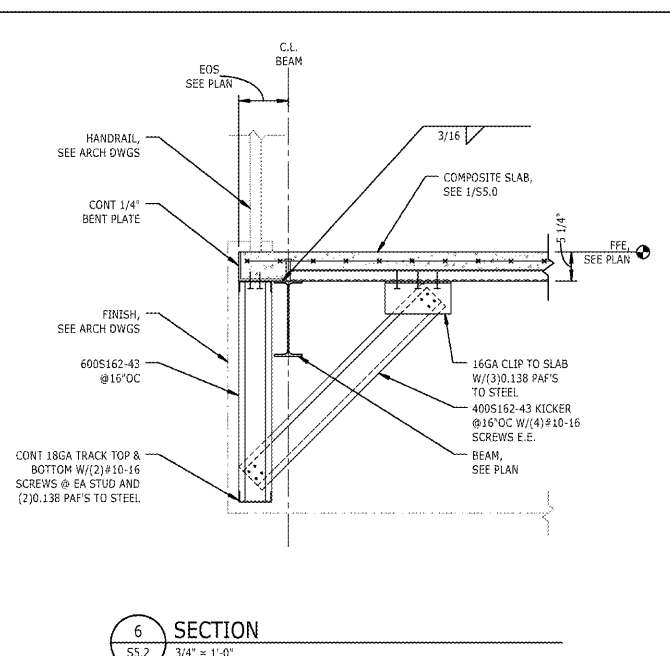
**2 SECTION**  
SS.2 3/4" = 1'-0"



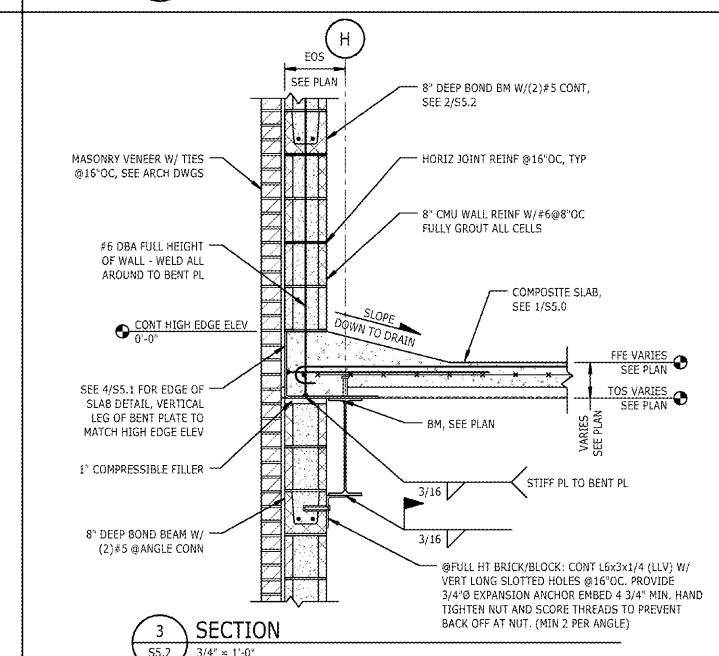
**12 SECTION**  
SS.2 3/4" = 1'-0"



**9 SECTION**  
SS.2 3/4" = 1'-0"



**6 SECTION**  
SS.2 3/4" = 1'-0"



**3 SECTION**  
SS.2 3/4" = 1'-0"

WWW.WLDLINE.COM



**Finley Design PA**  
7806 nc hwy 751  
Suite 110  
Durham, NC 27713  
919-493-8200  
FINLEYDESIGNARCH.COM



**STEWART**  
432 PARRSETTLE ST.  
SUITE 400  
RALEIGH, NC 27603  
FIRM LICENSE # 1393  
PROJECT # 13000100

04/06/2017

**Westpoint 2 Durham, NC**

**REVISIONS**

NO.	DATE	DESCRIPTION

PROJECT: S16038.00  
DATE: 04/06/2017  
DRAWN BY: DR  
CHECKED BY: DJT

**FLOOR FRAMING SECTIONS AND DETAILS**

**SS.2**