

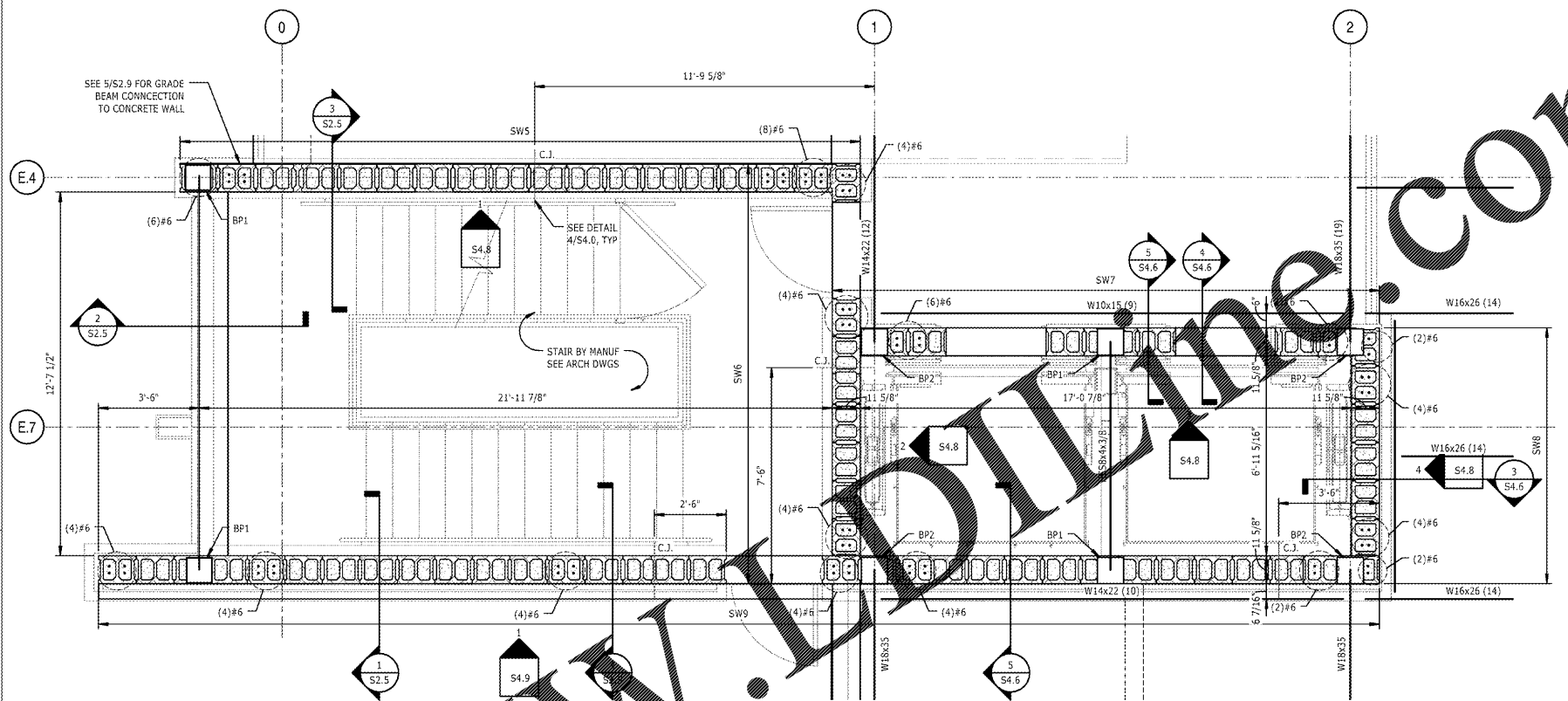
REVISIONS

NO.	DATE	DESCRIPTION

PROJECT: S1000000  
DATE: 04/06/2017  
DRAWN BY: DR  
CHECKED BY: DJT

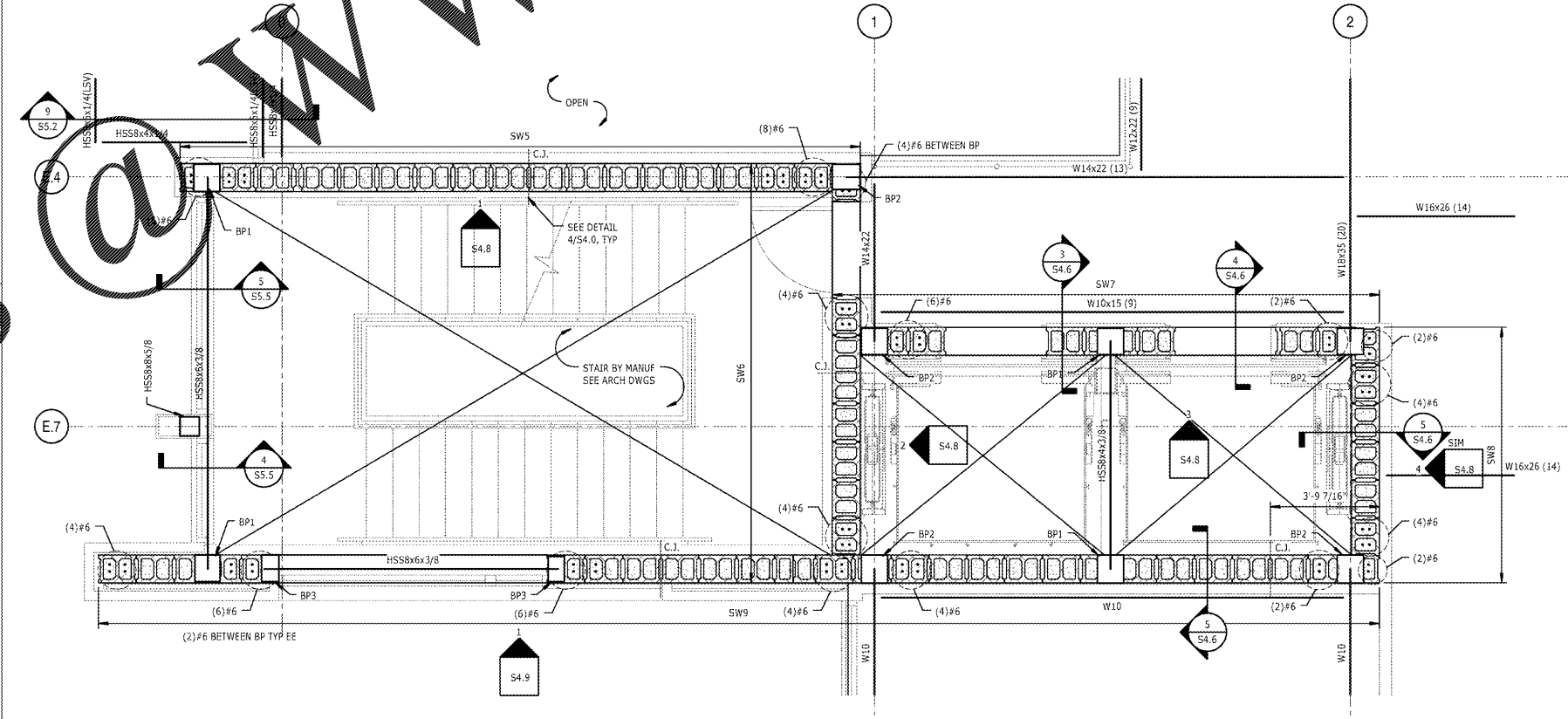
CMU SHEAR WALLS

S4.6



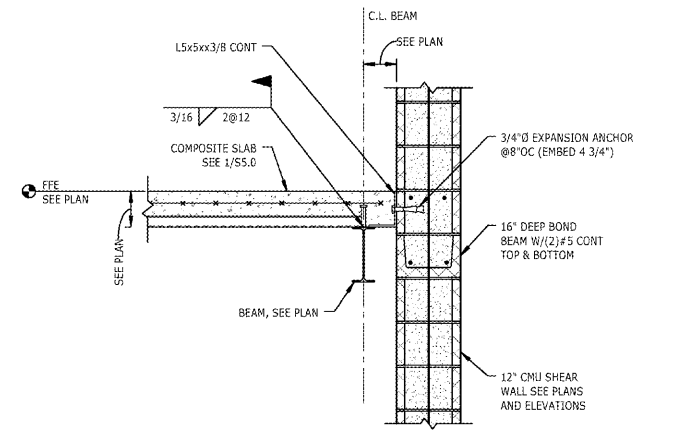
**1 PARTIAL STAIR/ELEVATOR FIRST FLOOR FOUNDATION PLAN**  
S4.6 3/8" = 1'-0"

- NOTES:
- SEE S1.1 FOR PLAN NOTES.
  - SEE ELEVATIONS, SECTIONS, AND DETAILS FOR TYPICAL VERTICAL AND HORIZONTAL REINFORCING IN CMU WALLS.
  - SEE S4.0 AND S4.1 FOR TYPICAL CMU SECTIONS AND DETAILS.
  - \*BP#\* INDICATES BEARING PLATE SEE 7/S4.0.

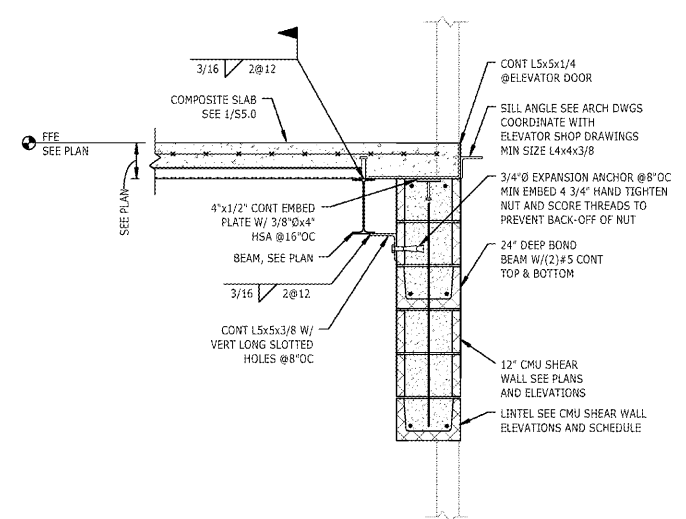


**2 PARTIAL STAIR/ELEVATOR SECOND FLOOR FOUNDATION PLAN**  
S4.6 3/8" = 1'-0"

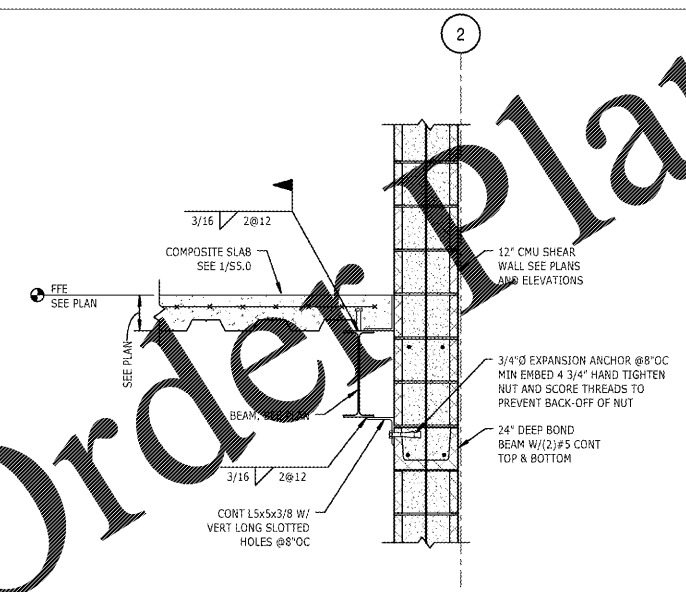
- NOTES:
- SEE S1.2 FOR PLAN NOTES.
  - SEE ELEVATIONS, SECTIONS, AND DETAILS FOR TYPICAL VERTICAL AND HORIZONTAL REINFORCING IN CMU WALLS.
  - SEE S4.0 AND S4.1 FOR TYPICAL CMU SECTIONS AND DETAILS.
  - \*BP#\* INDICATES BEARING PLATE SEE 7/S4.0.



**5 SECTION**  
S4.6 3/4" = 1'-0"



**4 SECTION**  
S4.6 3/4" = 1'-0"



**3 SECTION**  
S4.6 3/4" = 1'-0"

Order Plans