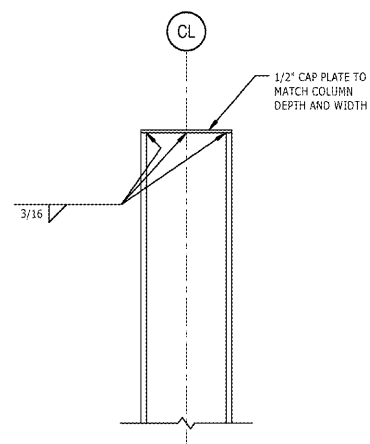
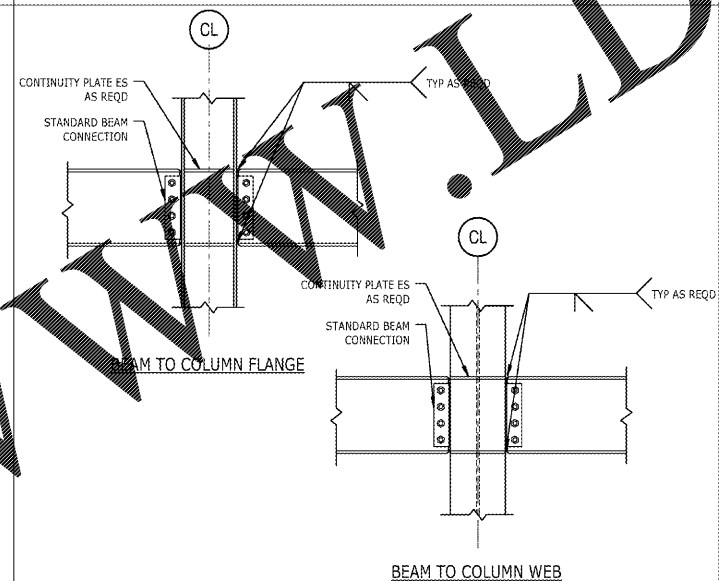


Order Plans @

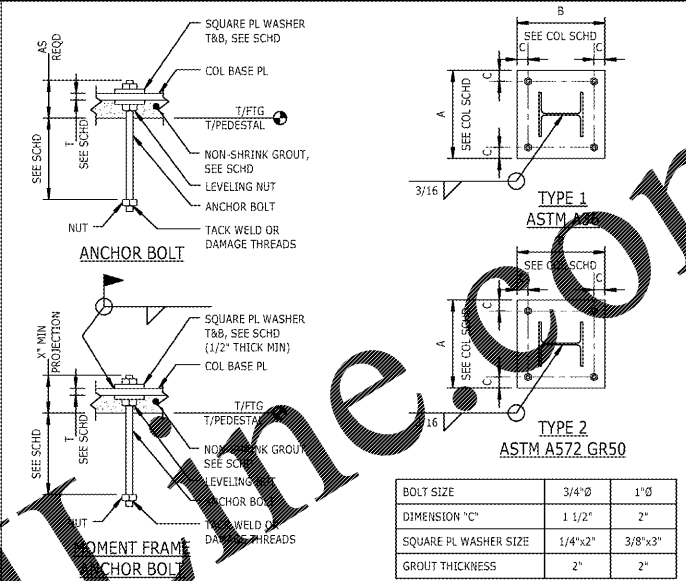
WWW.LDLINE.COM



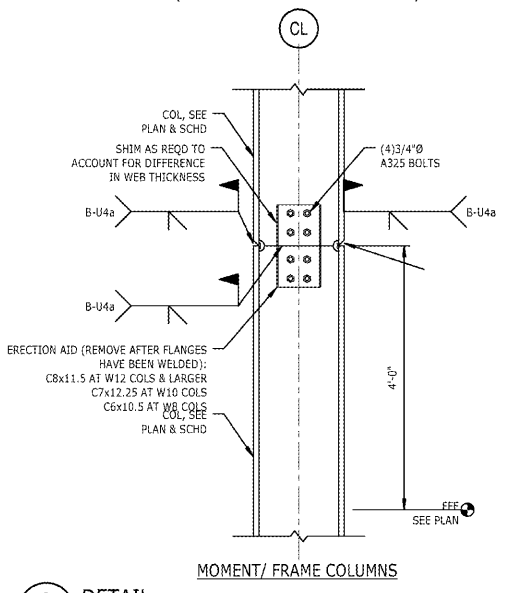
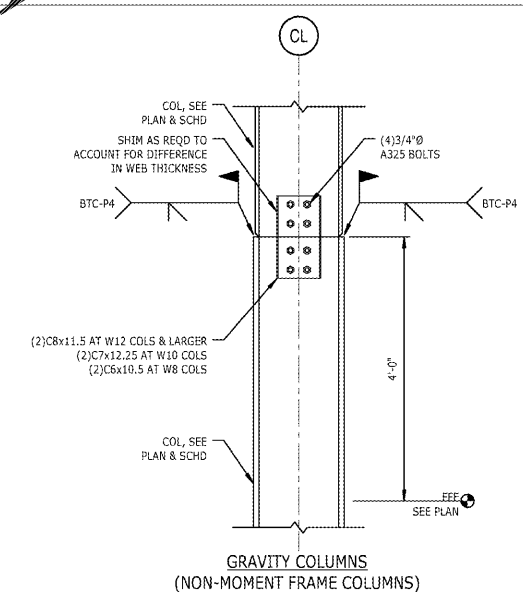
**3 DETAIL**  
S3.1 TYPICAL COLUMN CAP PLATE  
NTS



**4 DETAIL**  
S3.1 TYPICAL MOMENT CONN  
NTS

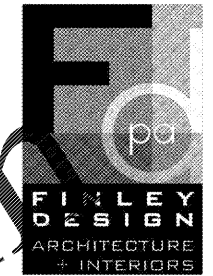


**1 DETAIL**  
S3.1 STEEL COLUMN BASE PLATES  
NTS

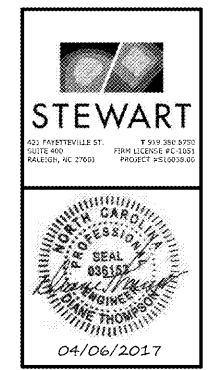


**2 DETAIL**  
S3.1 TYPICAL WELDED COLUMN SPLICE  
NTS

- NOTES:
1. BTC-P4 REFERS TO A (SINGLE BEVEL GROOVE) PARTIAL JOINT PENETRATION WELD.
  2. B-U4a REFERS TO A (SINGLE BEVEL GROOVE) FULL PENETRATION WELD.
  3. SEE AISC MANUAL FOR WELD DETAILS AND FIT-UP REQUIREMENTS.
  4. PROVIDE ULTRASONIC TESTING FOR FULL PENETRATION WELDS.
  5. REMOVE BACKING BARS FOR STRUCTURES IN SEISMIC DESIGN CATEGORY D OR HIGHER, OR WHERE REQUIRED FOR ULTRASONIC TESTING.



**Finley Design PA**  
7806 nc hwy 751  
Suite 110  
Durham, NC 27713  
919-493-8200  
FINLEYDESIGNARCH.COM



Westpoint 2 Durham, NC

**REVISIONS**


PROJECT:	S16028.00
DATE:	04/06/2017
DRAWN BY:	DR
CHECKED BY:	DJT

**COLUMN DETAILS AND MOMENT CONNECTION DETAILS**  
**S3.1**