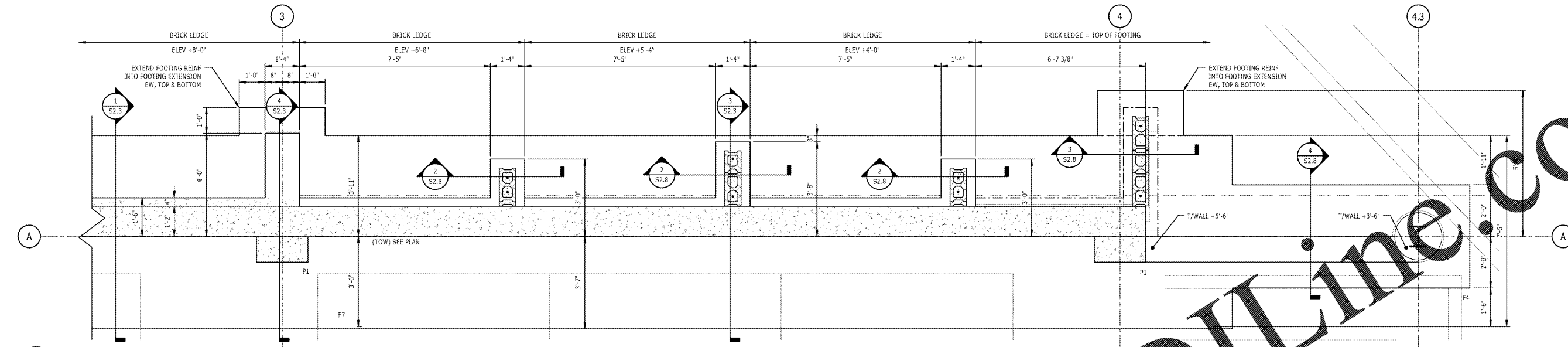
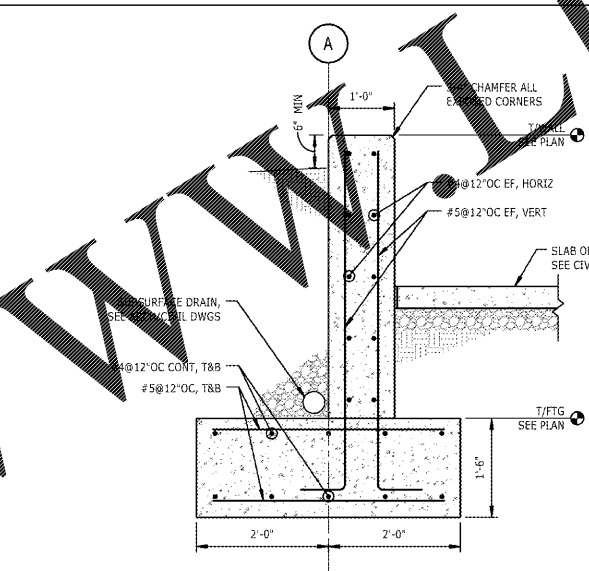


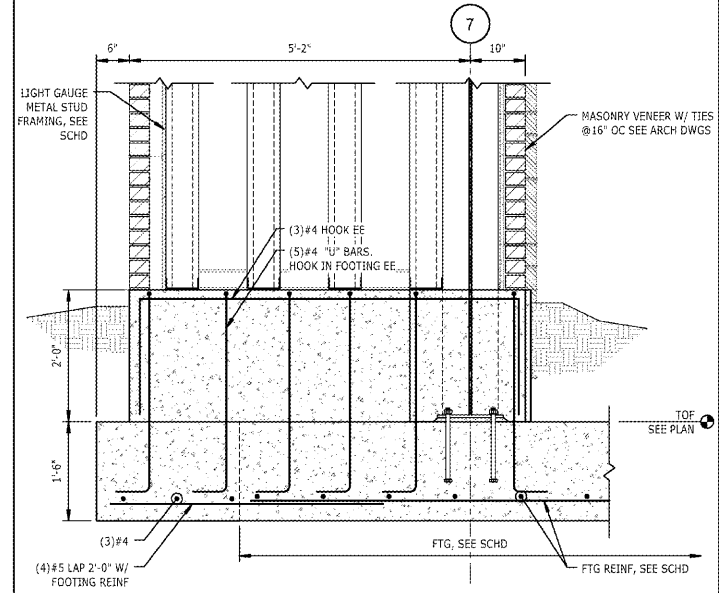
7:\VOLUMES\F DRIVE\FINLEY DESIGN\PROJECTS\1342 WESTPOINT 2\DRAWINGS\FILELOCKS\1342-X-TB.DWG



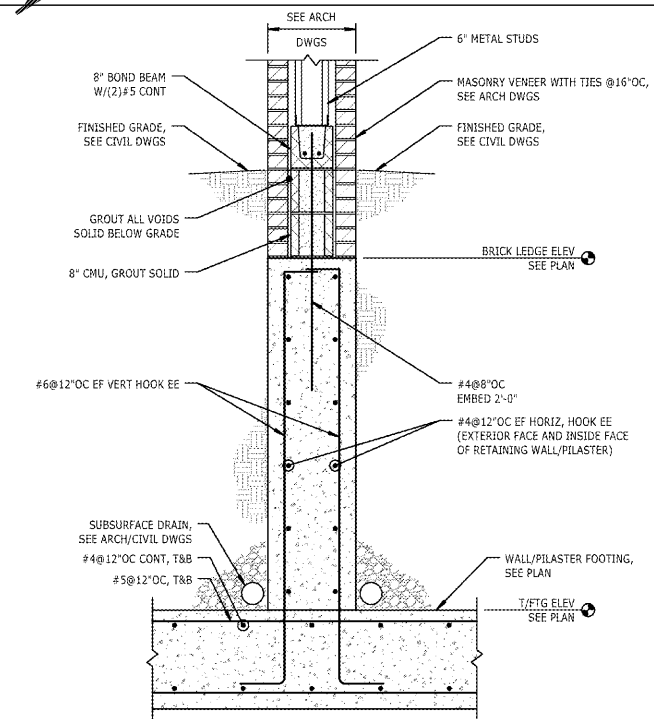
1 ENLARGED PLAN - BASEMENT WALL
S2.8 1/2" = 1'-0"



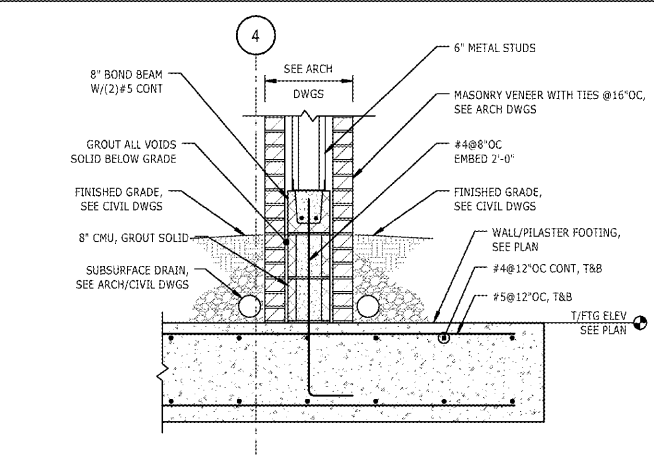
4 SECTION
S2.8 3/4" = 1'-0"



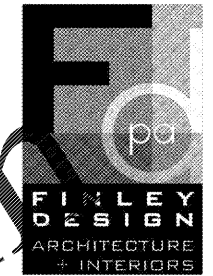
5 SECTION
S2.8 3/4" = 1'-0"



2 SECTION
S2.8 3/4" = 1'-0"



3 SECTION
S2.8 3/4" = 1'-0"



Finley Design PA
7806 nc hwy 751
Suite 110
Durham, NC 27713
919-493-8200
FINLEYDESIGNARCH.COM



STEWART
432 PINEVILLE ST. F 509 382 3700
SUITE 400 FIRM LICENSE #C-1993
RALEIGH, NC 27601 PROJECT #S10010.00
NORTH CAROLINA PROFESSIONAL SEAL
038152
Diane Thompson
04/06/2017

Westpoint 2 Durham, NC

REVISIONS

NO.	DATE	DESCRIPTION

PROJECT: S16038.00
DATE: 04/06/2017
DRAWN BY: DR
CHECKED BY: DJT

FOUNDATION WALL DETAILS

S2.8