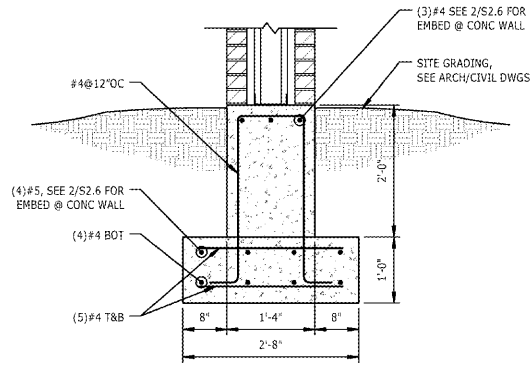
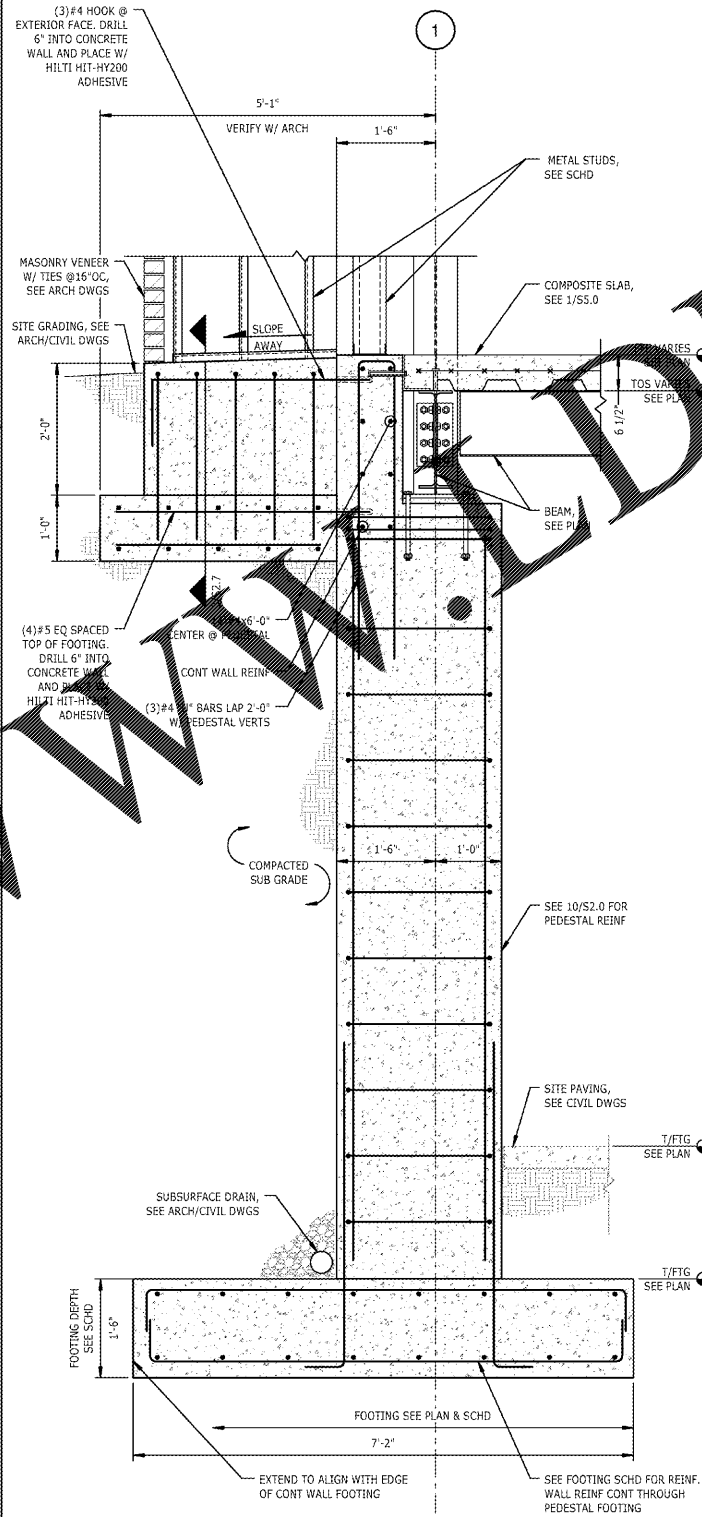


Order Plans @ WWW.FINLEYDESIGN.COM

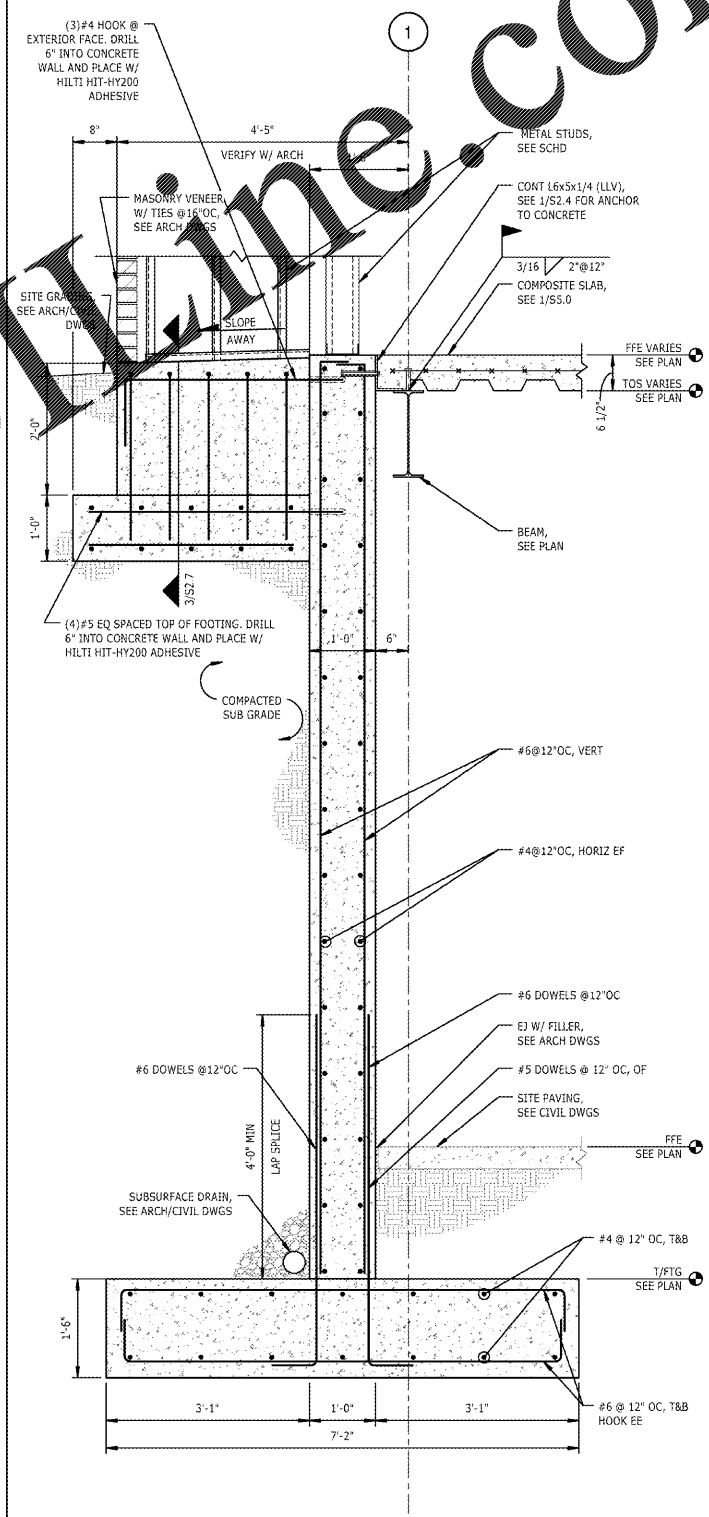


3
S2.7
3/4" = 1'-0"



2
S2.7
3/4" = 1'-0"

NOTE:
1. DO NOT BACK FILL WALL UNTIL FIRST FLOOR FRAMING IS FULLY ERECTED AND CONCRETE POURED. OR WALL MAY BE SHORED AND REMAIN SHORED UNTIL FRAMING IS COMPLETED AS NOTED.

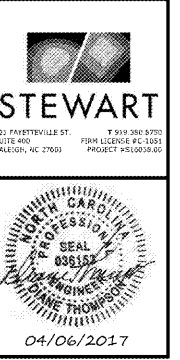


1
S2.7
3/4" = 1'-0"

NOTE:
1. DO NOT BACK FILL WALL UNTIL FIRST FLOOR FRAMING IS FULLY ERECTED AND CONCRETE POURED. OR WALL MAY BE SHORED AND REMAIN SHORED UNTIL FRAMING IS COMPLETED AS NOTED.



Finley Design PA
7806 nc hwy 751
Suite 110
Durham, NC 27713
919-493-8200
FINLEYDESIGNARCH.COM



Westpoint 2 Durham, NC

REVISIONS	

PROJECT: S16038.00
DATE: 04/06/2017
DRAWN BY: DR
CHECKED BY: DJT

FOUNDATION WALL DETAILS

S2.7