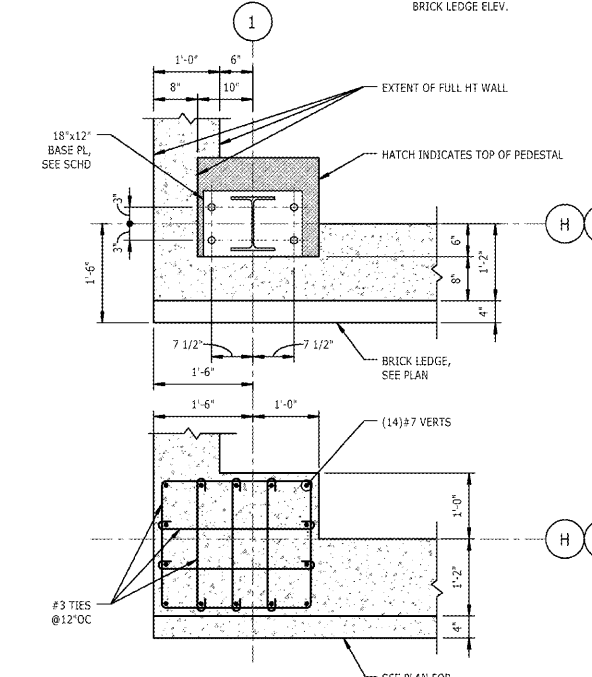
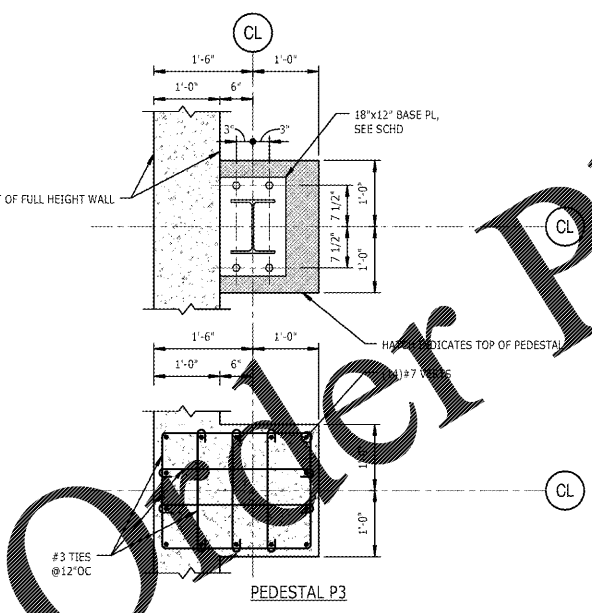


PEDESTAL P1



PEDESTAL P2



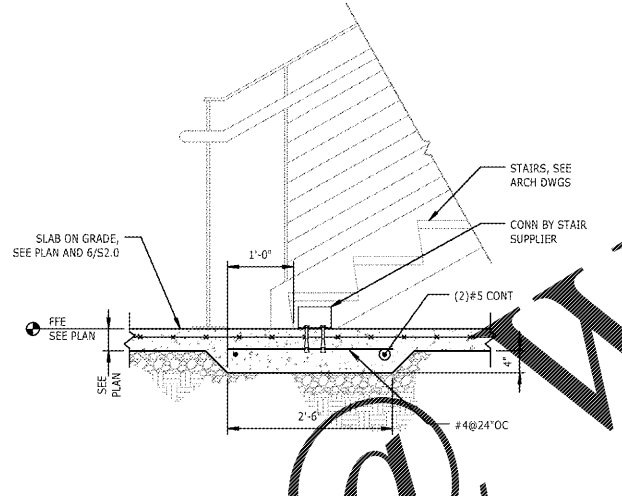
PEDESTAL P3

10 DETAIL

S2.0 PEDESTAL P2
NTS
NOTE:
1. WALL REINF NOT SHOWN FOR CLARITY.

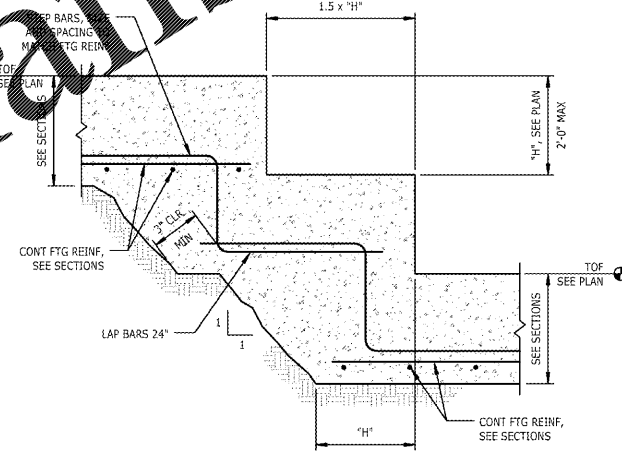
7 DETAIL

S2.0 TYPICAL DEPRESSION IN SLAB ON GRADE
NTS



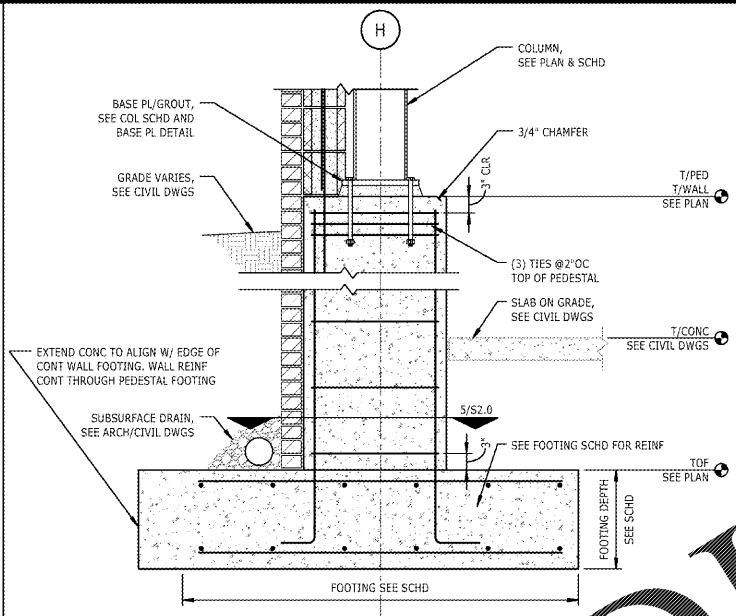
8 DETAIL

S2.0 THICKENED SLAB AT STAIR
NTS



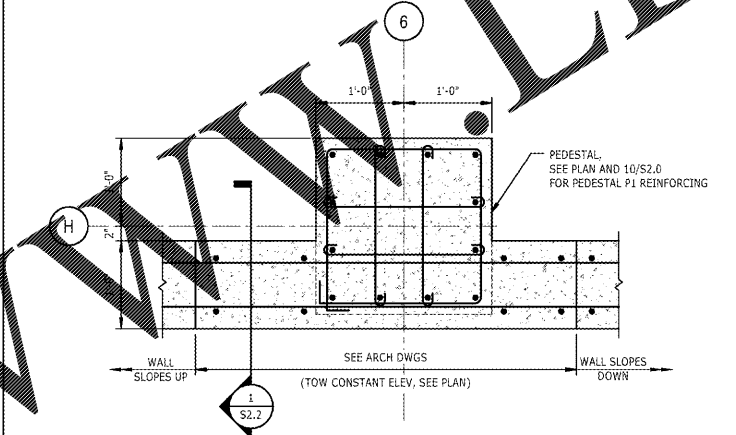
9 DETAIL

S2.0 TYPICAL STEP IN CONCRETE WALL FOOTING
NTS



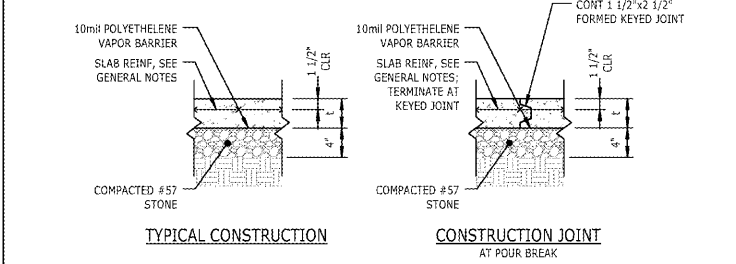
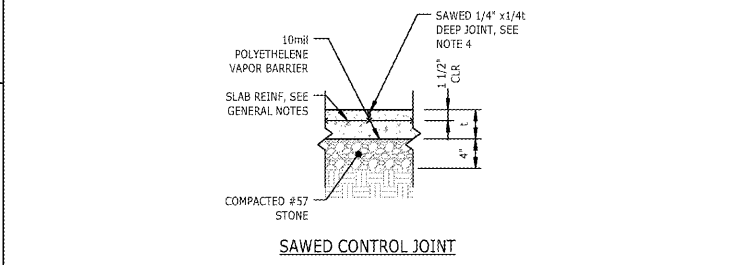
4 SECTION

S2.0 3/4" = 1'-0"



5 DETAIL

S2.0 1" = 1'-0"



6 DETAIL

S2.0 TYPICAL SLAB ON GRADE
NTS

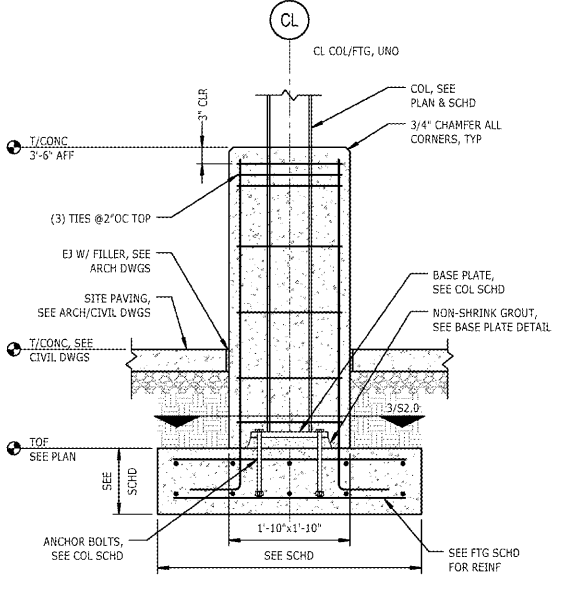
NOTES:
1. 'x' DENOTES SLAB THICKNESS, SEE PLANS.
2. LOCATION OF SLAB ON GRADE CONSTRUCTION JOINTS SHALL BE DETERMINED BY THE CONTRACTOR. JOINT LOCATIONS SHALL BE SUBMITTED TO THE ENGINEER FOR APPROVAL PRIOR TO CONSTRUCTION.
3. SEE PLANS FOR LOCATION OF CONTROL JOINTS. WHERE NOT SHOWN ON PLAN, CONTACT THE ENGINEER.
4. SAW CUT CONTROL JOINTS WITHIN 8 HOURS OF SLAB POUR.

MARK	WIDTH	SIZE	LENGTH	DEPTH	REINFORCEMENT	REINFORCEMENT
					TOP	BOTTOM
F4	4'-0"	4'-0"	4'-0"	1'-6"	NA	(6)#6
F5	5'-0"	5'-0"	5'-0"	1'-6"	NA	(7)#6
F6	6'-0"	6'-0"	6'-0"	1'-6"	NA	(8)#6
F7	7'-0"	7'-0"	7'-0"	1'-6"	NA	(9)#7
F8	8'-0"	8'-0"	8'-0"	2'-0"	NA	(10)#7
F9	9'-0"	9'-0"	9'-0"	2'-3"	NA	(11)#7
F10	10'-0"	10'-0"	10'-0"	2'-3"	NA	(11)#7

SCHEDULE

S2.0 TYPICAL SPREAD FOOTING SCHEDULE

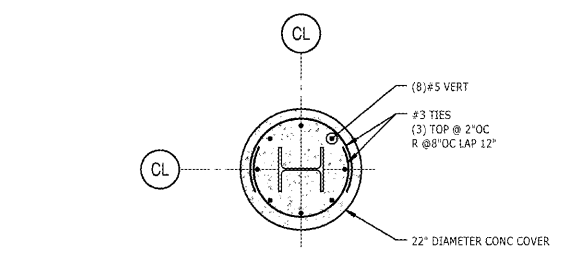
NOTES:
1.



2 DETAIL

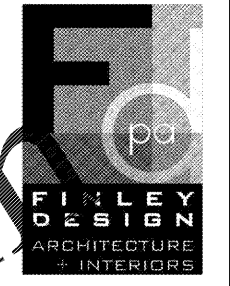
S2.0 TYPICAL SPREAD FOOTING AT STEEL COLUMN
NTS

NOTE:
1. COAT BASE PLATE, ANCHOR BOLTS, AND COLUMN BELOW SLAB ON GRADE WITH AN APPROVED ASPHALT PAINT.



3 SECTION

S2.0 3/4" = 1'-0"



Finley Design PA
7806 nc hwy 751
Suite 110
Durham, NC 27713
919-493-8200
FINLEYDESIGNARCH.COM



Westpoint 2 Durham, NC

REVISIONS

NO.	DATE	DESCRIPTION

PROJECT: S16038.00
DATE: 04/06/2017
DRAWN BY: DR
CHECKED BY: DJT

TYPICAL FOUNDATION DETAILS AND SCHEDULES
S2.0

7:\VOLUMES\F DRIVE\FINLEY DESIGN\PROJECTS\1342 WESTPOINT 2\DRAWINGS\TILEBLOCKS\1342-X-TB.DWG

Order Plans @ WWW.LDLINE.COM