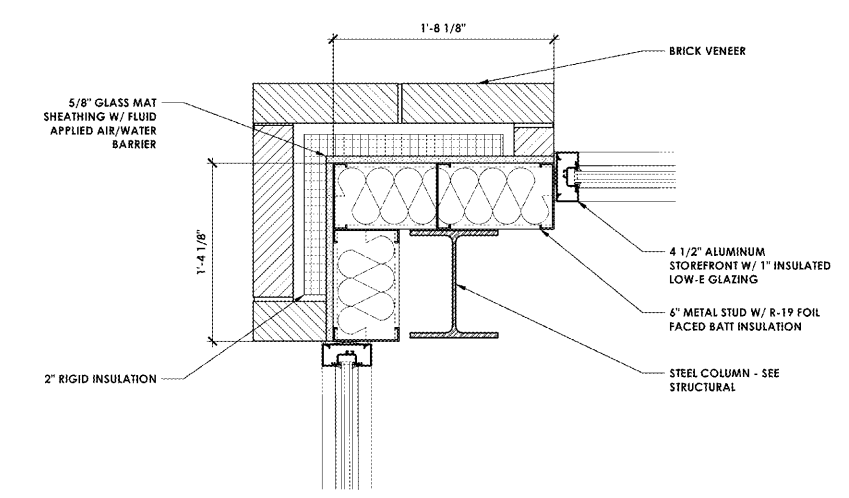
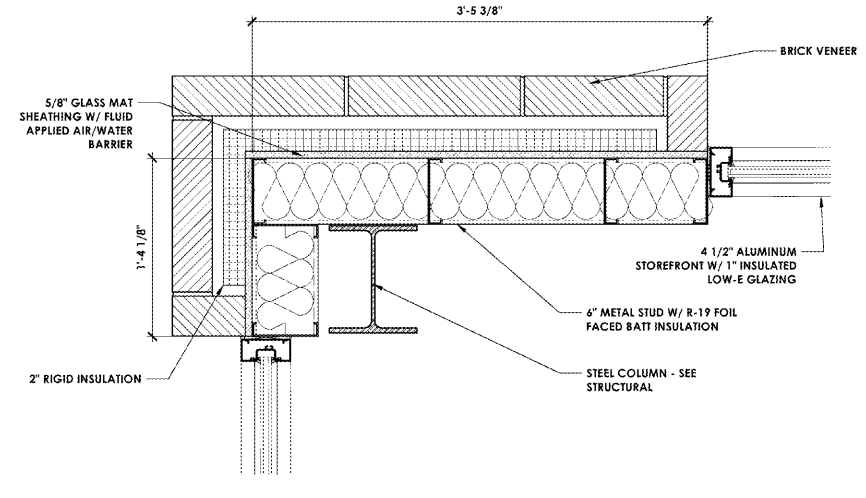


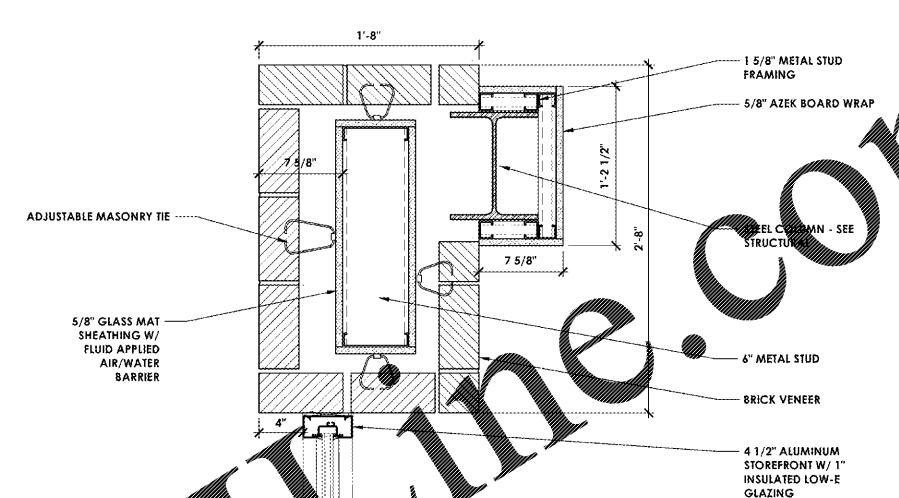
\\VOLUMES\F DRIVE\FINLEY DESIGN\PROJECTS\1342 WESTPOINT 2\DRAWINGS\1342_PLAN DETAILS.DWG



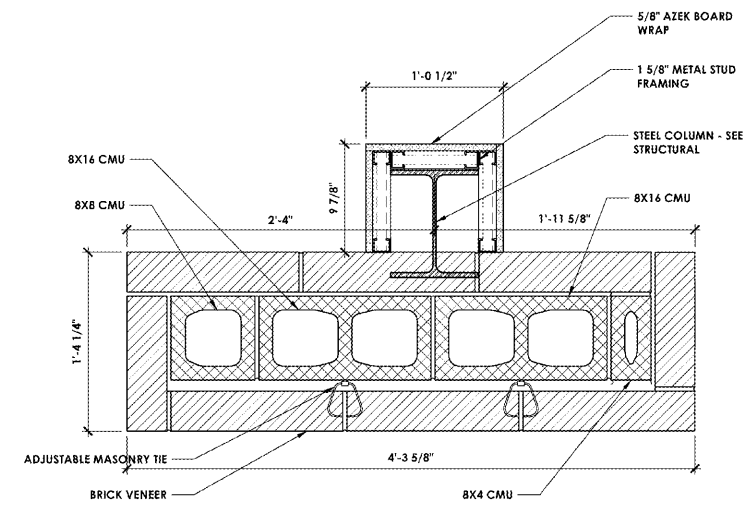
9 PLAN DETAIL
Scale: 1 1/2" = 1'-0"



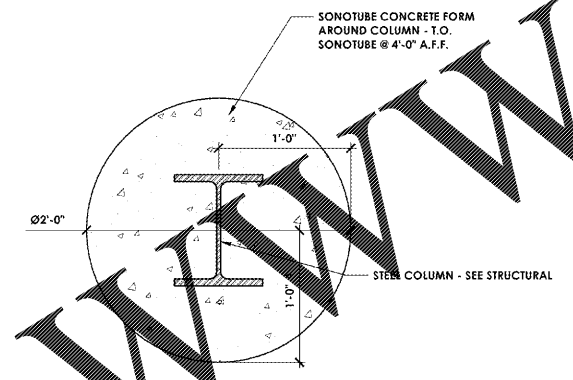
6 PLAN DETAIL
Scale: 1 1/2" = 1'-0"



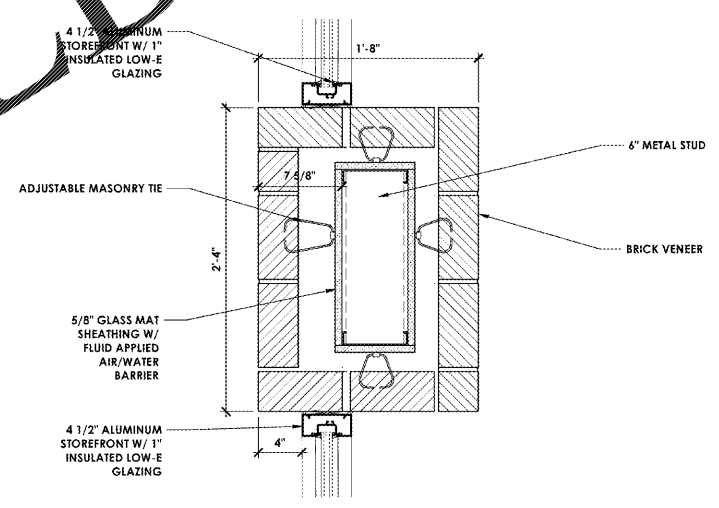
3 PLAN DETAIL
Scale: 1 1/2" = 1'-0"



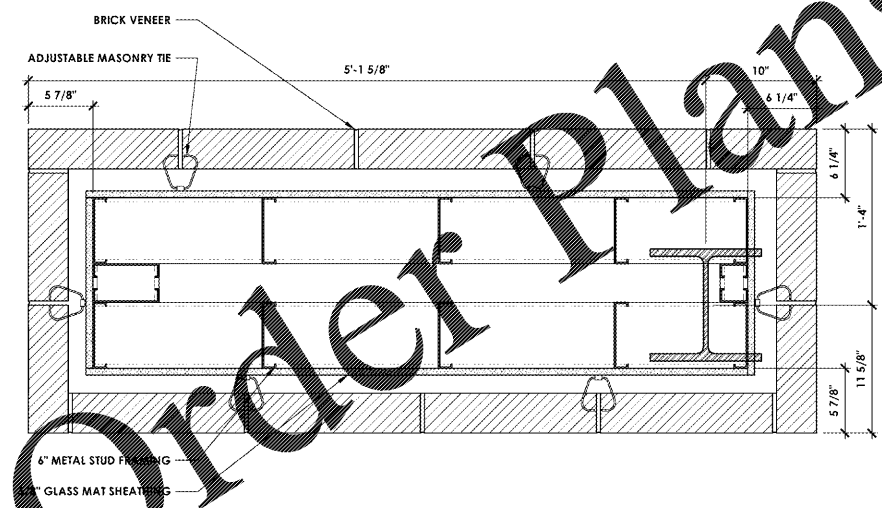
8 PLAN DETAIL
Scale: 1 1/2" = 1'-0"



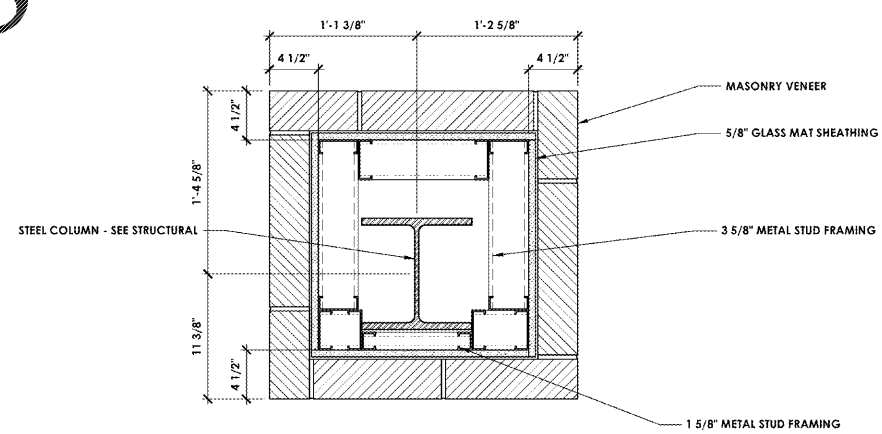
5 PLAN DETAIL
Scale: 1 1/2" = 1'-0"



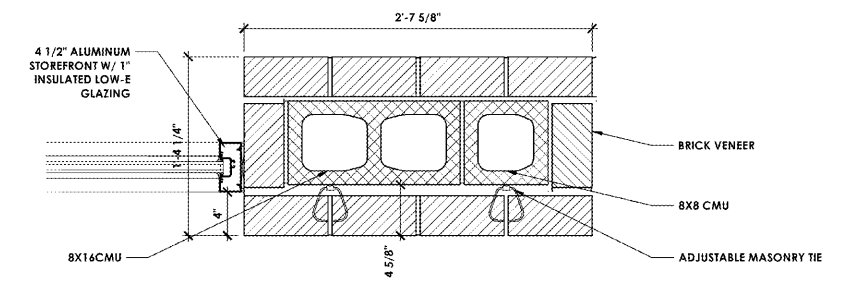
2 PLAN DETAIL
Scale: 1 1/2" = 1'-0"



7 PLAN DETAIL
Scale: 1 1/2" = 1'-0"



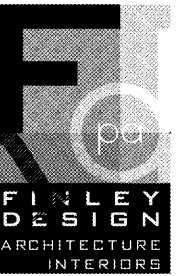
4 PLAN DETAIL
Scale: 1 1/2" = 1'-0"



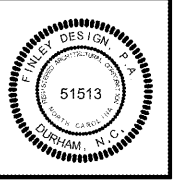
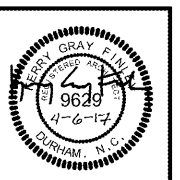
1 PLAN DETAIL
Scale: 1 1/2" = 1'-0"

Order Plans

WWW.LDILLINE.COM



FINLEY DESIGN
ARCHITECTURE
INTERIORS
7806 NC HWY 751
SUITE 110
DURHAM, NC 27713
919-493-8200
FINLEYDESIGNARCH.COM



WESTPOINT 2
DURHAM, NC

REVISIONS

NO.	DATE	DESCRIPTION

PROJECT: 1342
DATE: 04/06/17
DRAWN BY: JHB
CHECKED BY: JDL

PLAN DETAILS

A9.3