

**WESTPOINT 2**  
**DURHAM, NC**

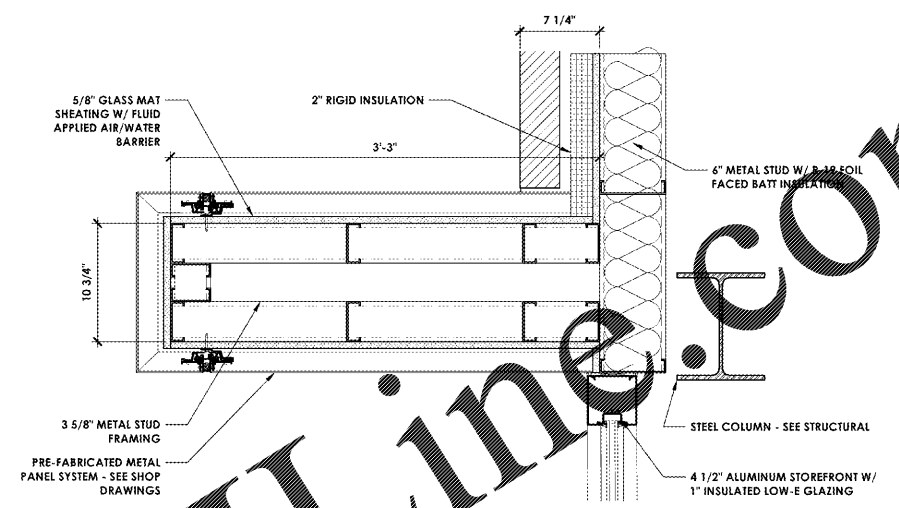
**REVISIONS**

NO.	DATE	DESCRIPTION

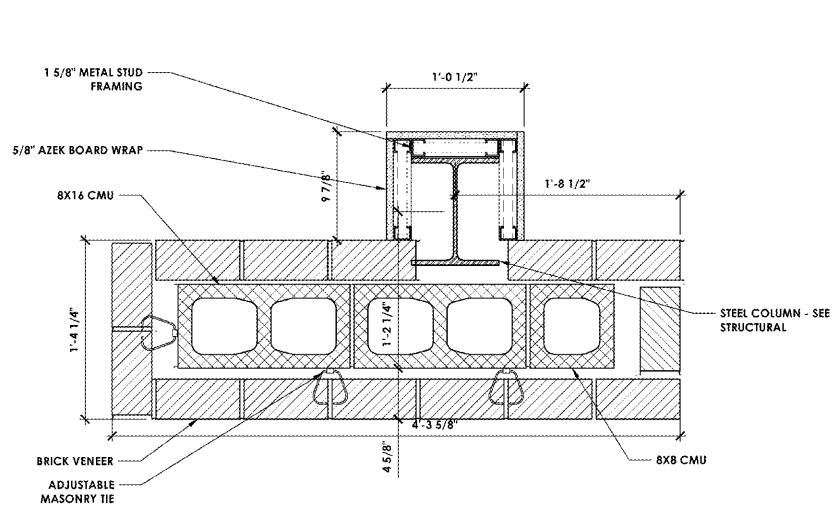
PROJECT: 1342  
DATE: 04/06/17  
DRAWN BY: JHB  
CHECKED BY: JDL

**PLAN DETAILS**

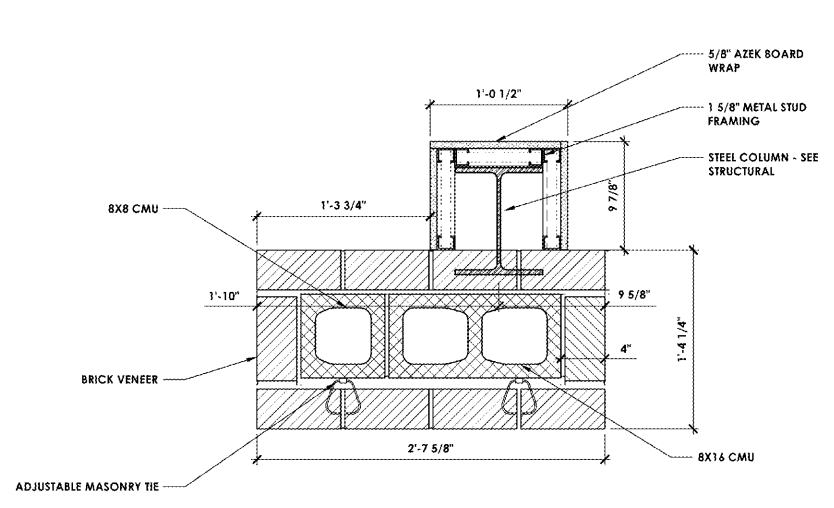
**A9.2**



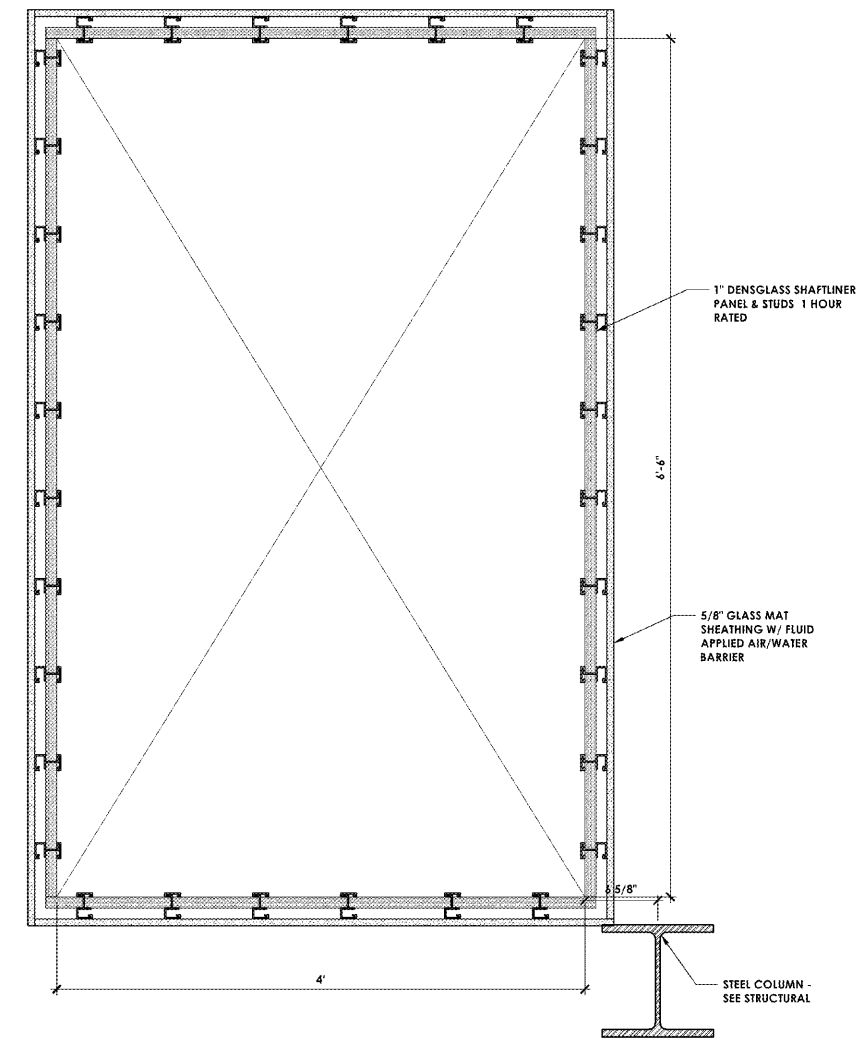
**3 PLAN DETAIL**  
Scale: 1 1/2" = 1'-0"



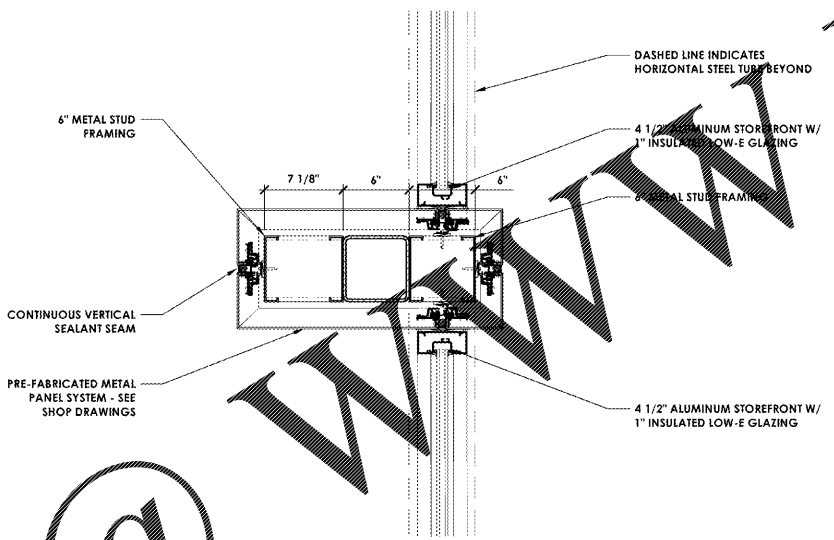
**6 PLAN DETAIL**  
Scale: 1 1/2" = 1'-0"



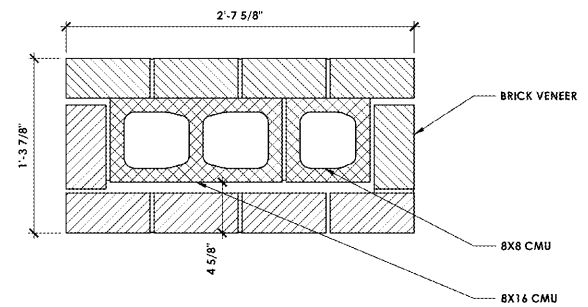
**9 PLAN DETAIL**  
Scale: 1 1/2" = 1'-0"



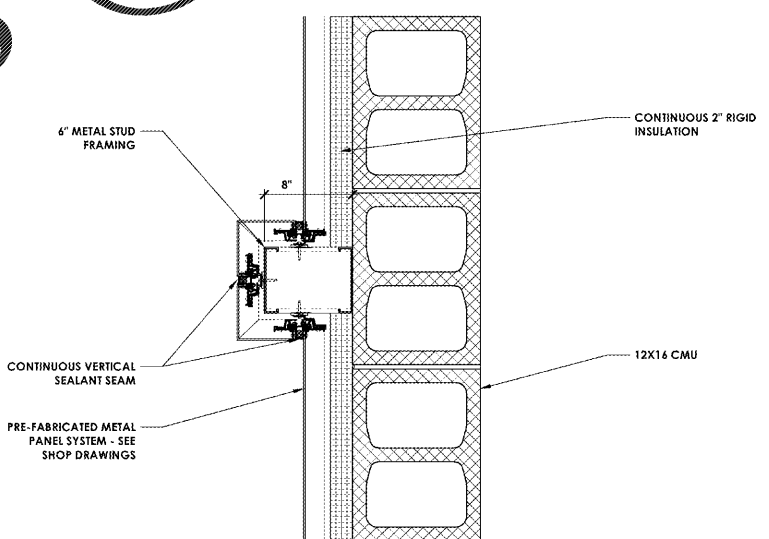
**1 PLAN DETAIL**  
Scale: 1 1/2" = 1'-0"



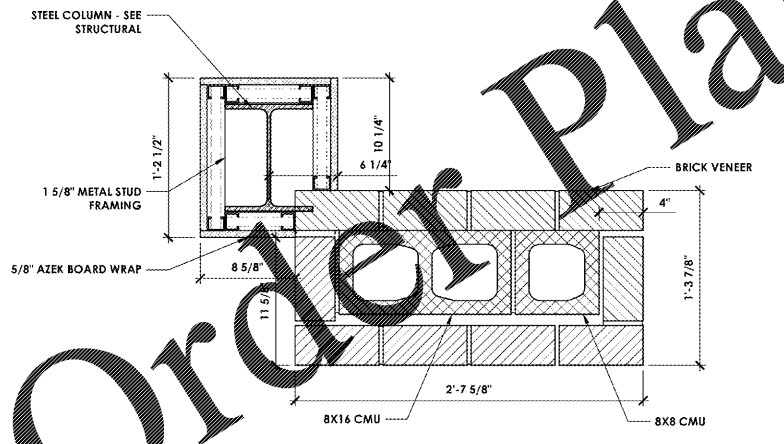
**5 PLAN DETAIL**  
Scale: 1 1/2" = 1'-0"



**8 PLAN DETAIL**  
Scale: 1 1/2" = 1'-0"



**4 PLAN DETAIL**  
Scale: 1 1/2" = 1'-0"



**7 PLAN DETAIL**  
Scale: 1 1/2" = 1'-0"

/VOLUMES/F DRIVE/FINLEY DESIGN/PROJECTS/1342 WESTPOINT 2/DRAWINGS/1342 PLAN DETAILS.DWG

**Order Plans @**