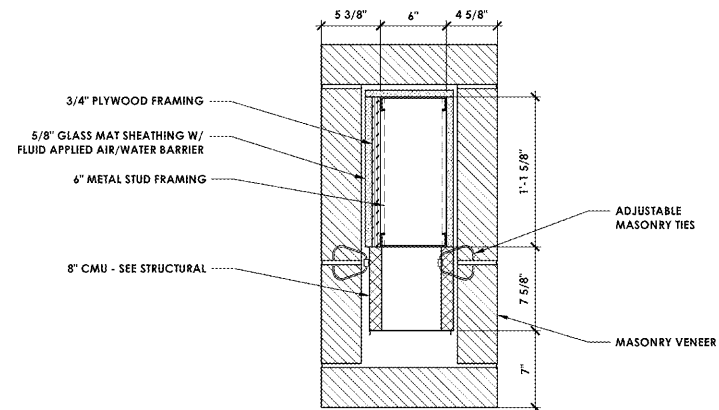
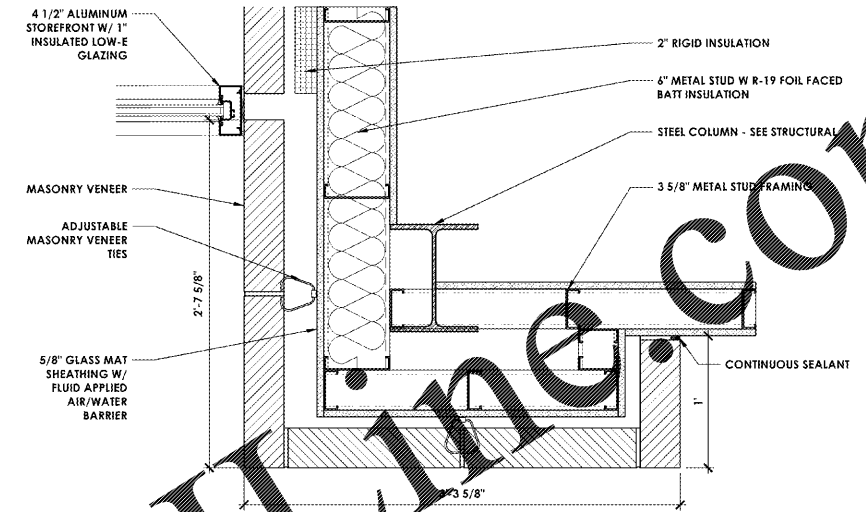


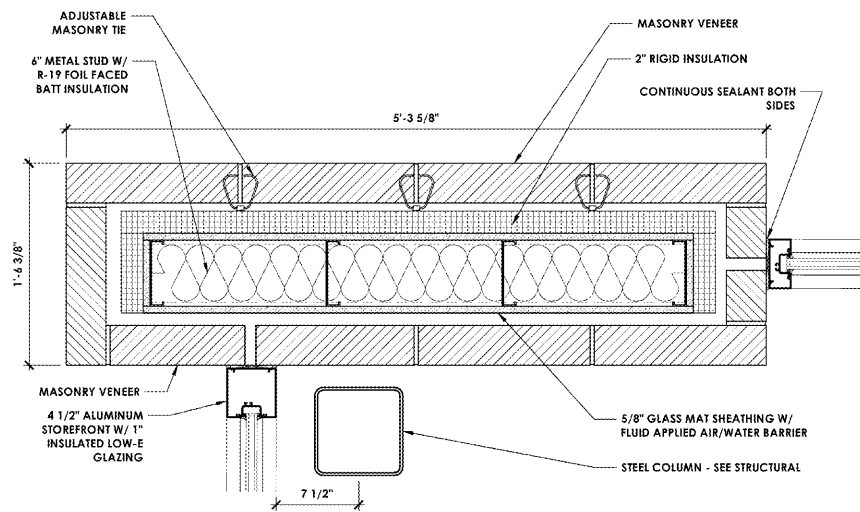
9 PLAN DETAIL
Scale: 1 1/2" = 1'-0"



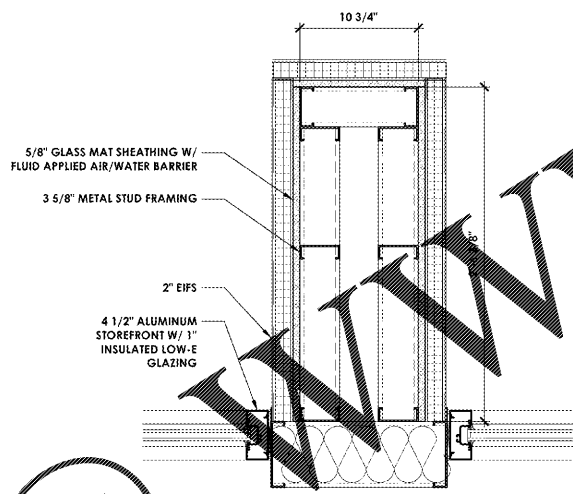
6 PLAN DETAIL
Scale: 1 1/2" = 1'-0"



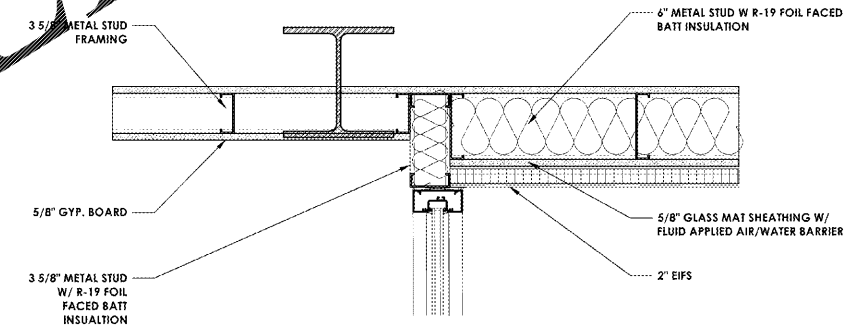
3 PLAN DETAIL
Scale: 1 1/2" = 1'-0"



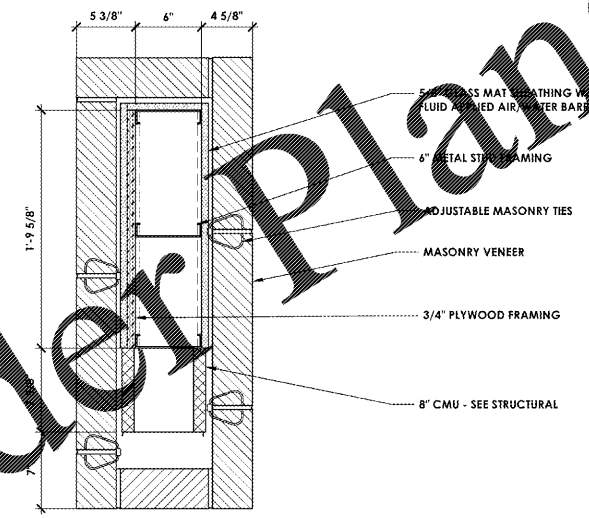
8 PLAN DETAIL
Scale: 1 1/2" = 1'-0"



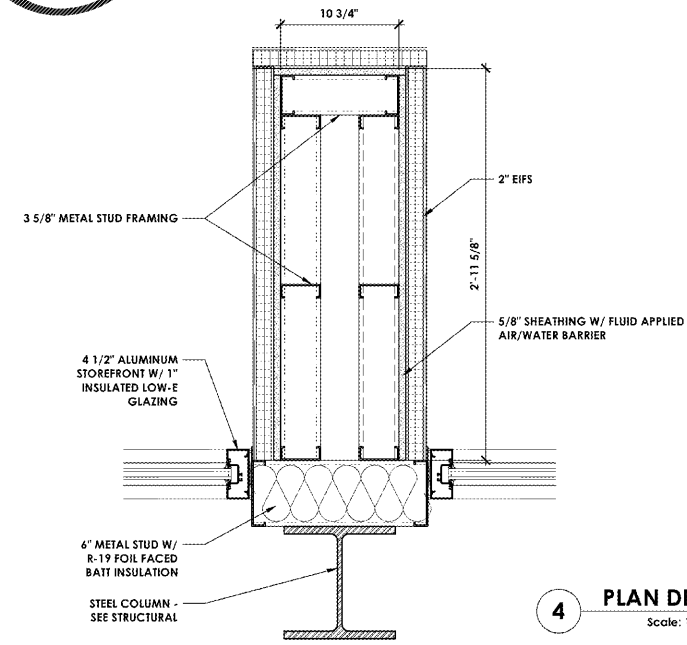
5 PLAN DETAIL
Scale: 1 1/2" = 1'-0"



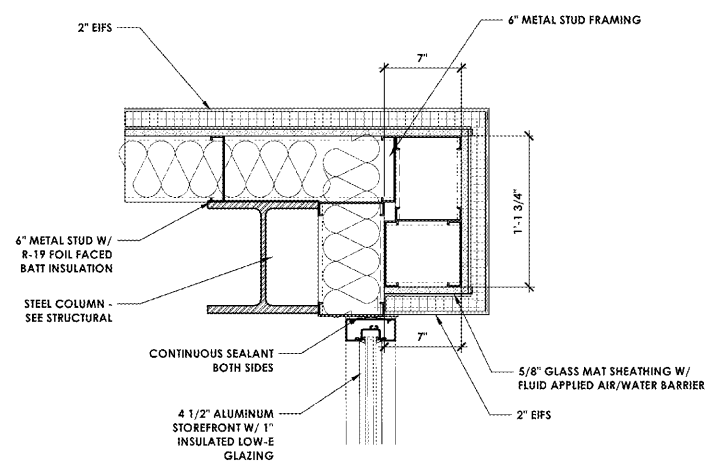
2 PLAN DETAIL
Scale: 1 1/2" = 1'-0"



7 PLAN DETAIL
Scale: 1 1/2" = 1'-0"



4 PLAN DETAIL
Scale: 1 1/2" = 1'-0"

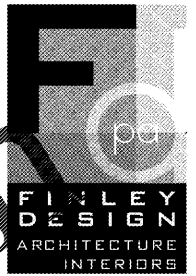


1 PLAN DETAIL
Scale: 1 1/2" = 1'-0"

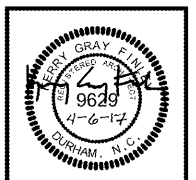
/VOLUMES/F DRIVE/FINLEY DESIGN/PROJECTS/1342 WESTPOINT 2/DRAWINGS/1342_PLAN DETAILS.DWG

Order Plans @

WWW.LDILLINE.COM



FINLEY DESIGN PA
7806 NC HWY 751
SUITE 110
DURHAM, NC 27713
919-493-8200
FINLEYDESIGNARCH.COM



WESTPOINT 2
DURHAM, NC

REVISIONS

NO.	DATE	DESCRIPTION

PROJECT: 1342
DATE: 04/06/17
DRAWN BY: JHB
CHECKED BY: JDL

PLAN DETAILS

A9.1