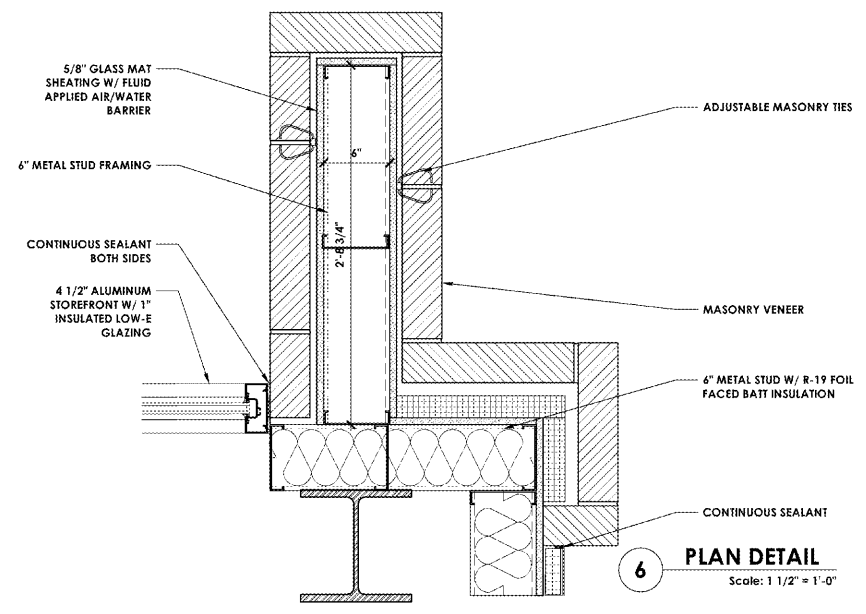
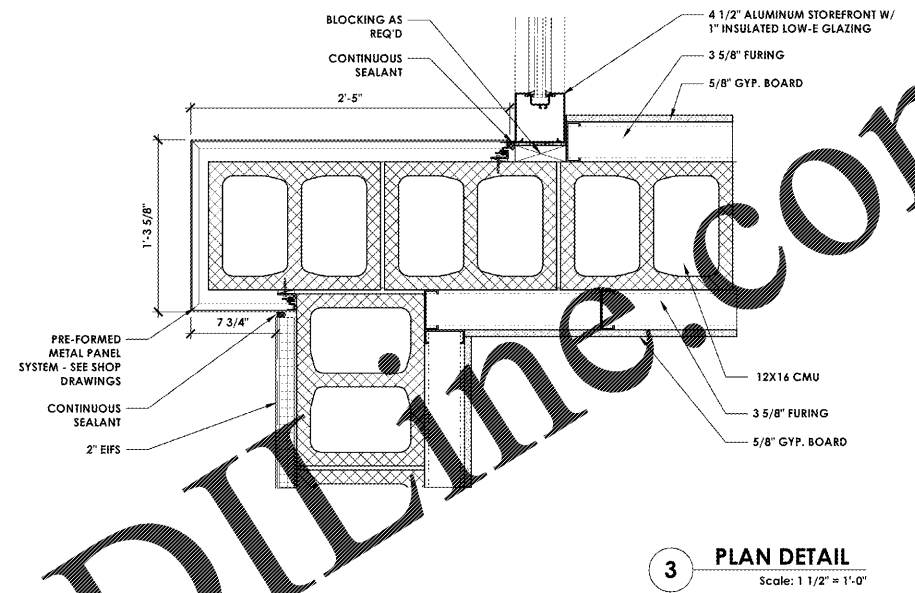


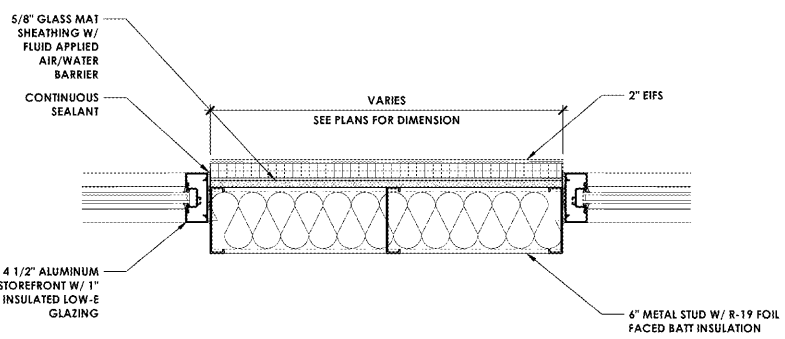
9 PLAN DETAIL  
Scale: 1 1/2" = 1'-0"



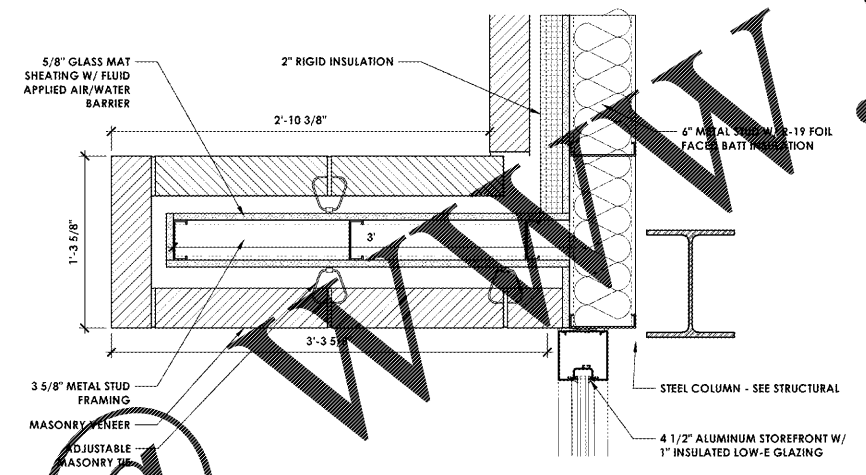
6 PLAN DETAIL  
Scale: 1 1/2" = 1'-0"



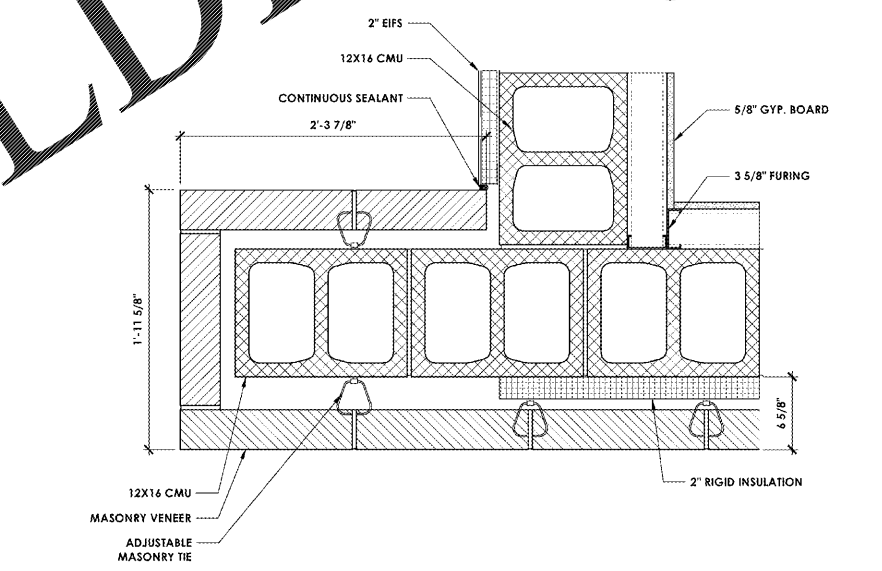
3 PLAN DETAIL  
Scale: 1 1/2" = 1'-0"



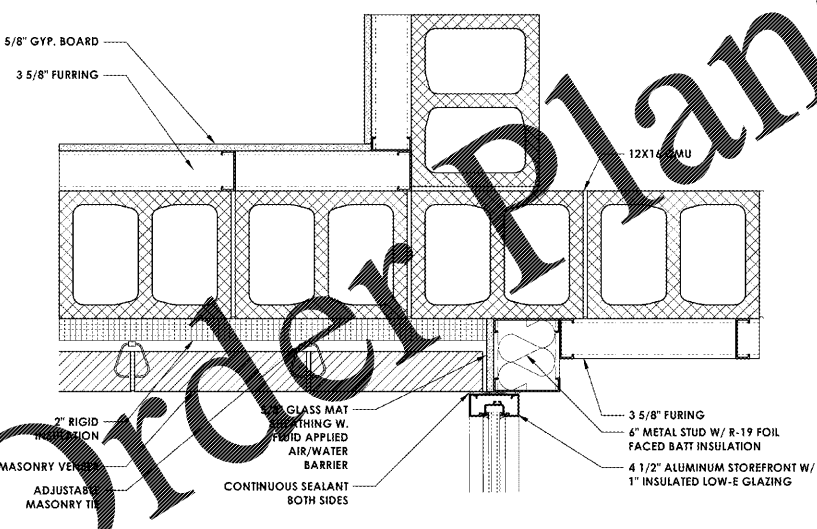
8 PLAN DETAIL  
Scale: 1 1/2" = 1'-0"



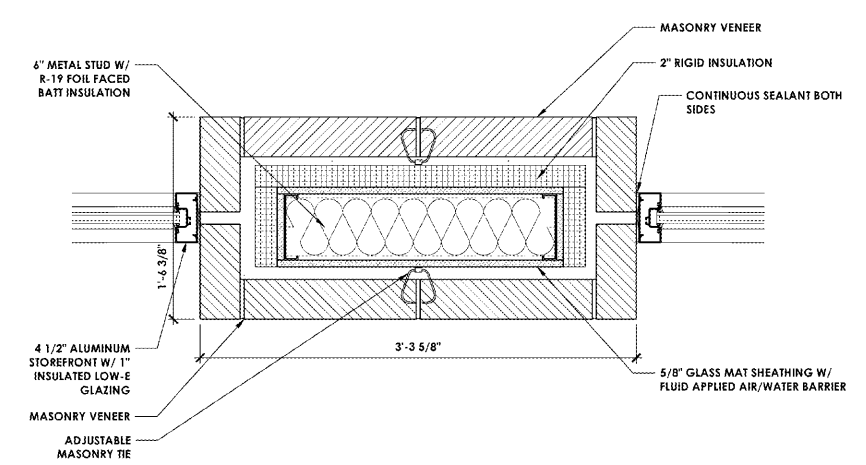
5 PLAN DETAIL  
Scale: 1 1/2" = 1'-0"



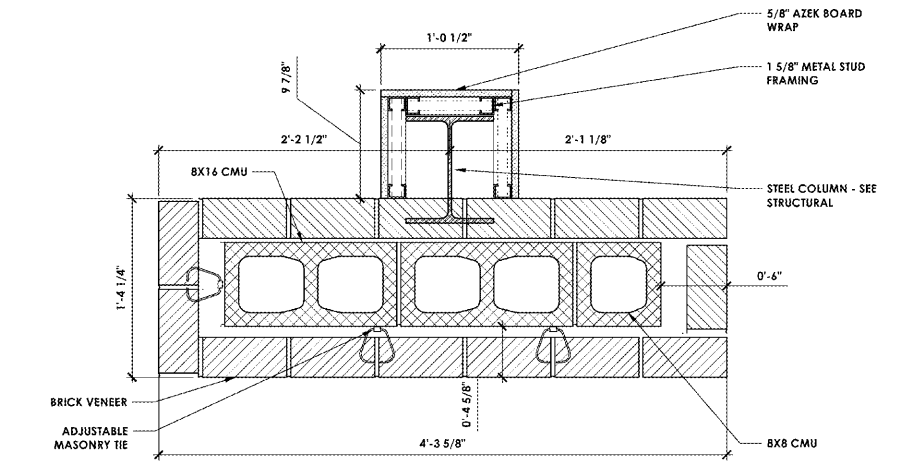
2 PLAN DETAIL  
Scale: 1 1/2" = 1'-0"



7 PLAN DETAIL  
Scale: 1 1/2" = 1'-0"



4 PLAN DETAIL  
Scale: 1 1/2" = 1'-0"



1 PLAN DETAIL  
Scale: 1 1/2" = 1'-0"



FINLEY DESIGN PA  
7806 NC HWY 751  
SUITE 110  
DURHAM, NC 27713  
919-493-8200  
FINLEYDESIGNARCH.COM



WESTPOINT 2  
DURHAM, NC

REVISIONS

NO.	DATE	DESCRIPTION

PROJECT: 1342  
DATE: 04/06/17  
DRAWN BY: JHB  
CHECKED BY: JDL

PLAN DETAILS

A9.0

/VOLUMES/F DRIVE/FINLEY DESIGN/PROJECTS/1342 WESTPOINT 2/DRAWINGS/1342 PLAN DETAILS.DWG

Order Plans

@

WWW.WLDLINE.COM