

**WESTPOINT 2
DURHAM, NC**

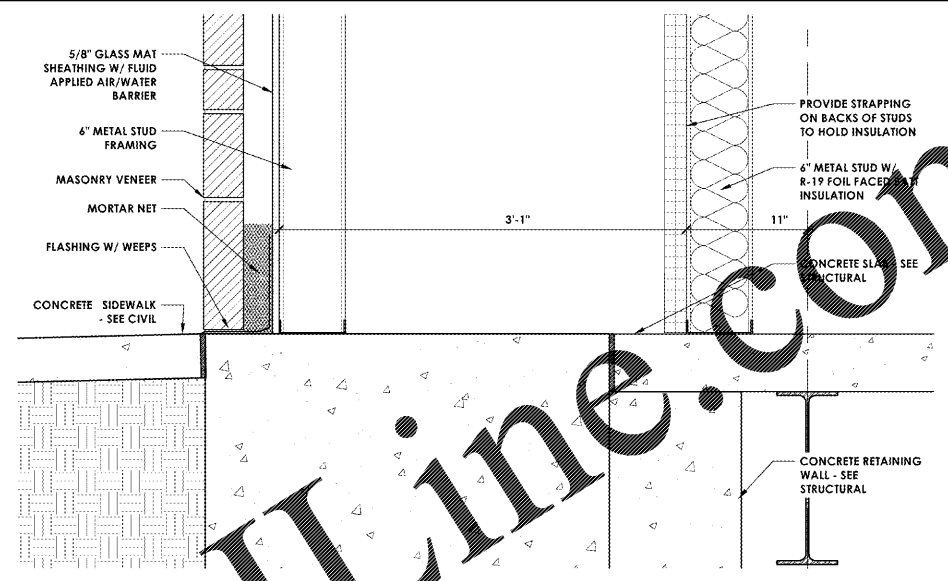
REVISIONS

NO.	DATE	DESCRIPTION

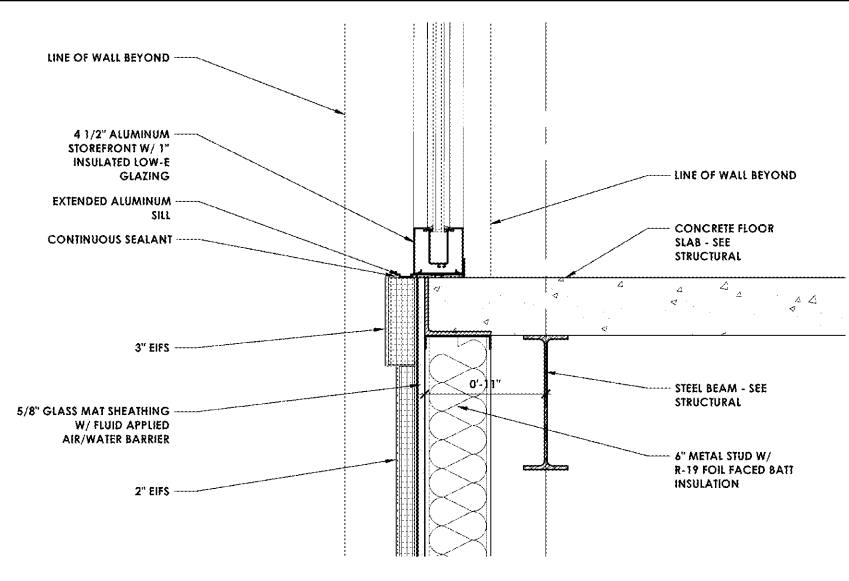
PROJECT: 1342
DATE: 04/06/17
DRAWN BY: JHB
CHECKED BY: JDL

SECTION DETAILS

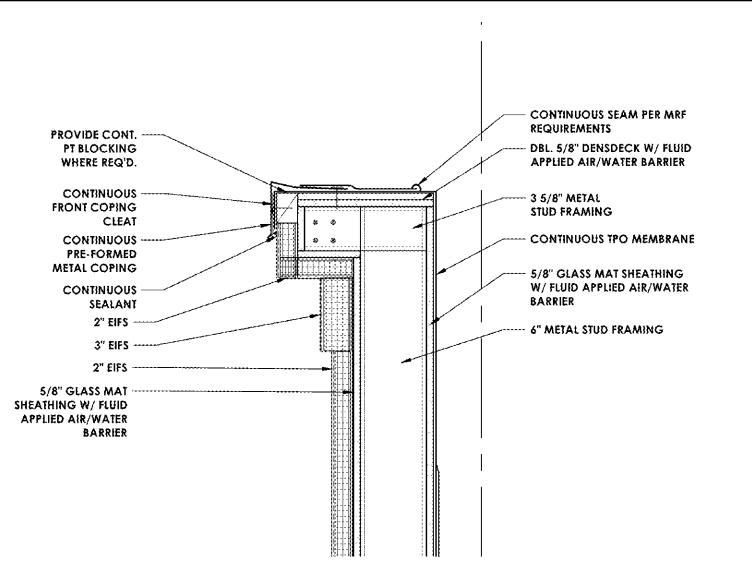
A8.34



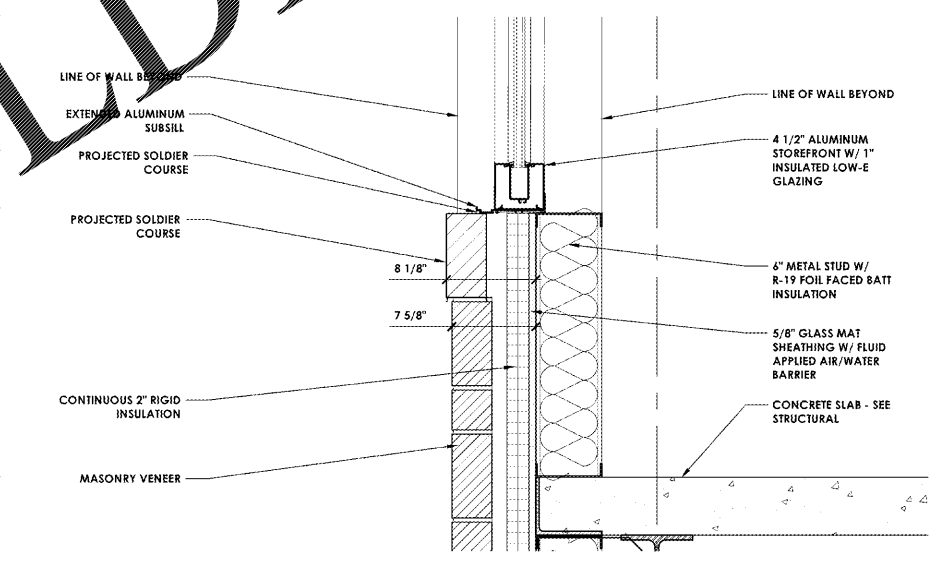
7 DETAIL SECTION
Scale: 1-1/2" = 1'-0"



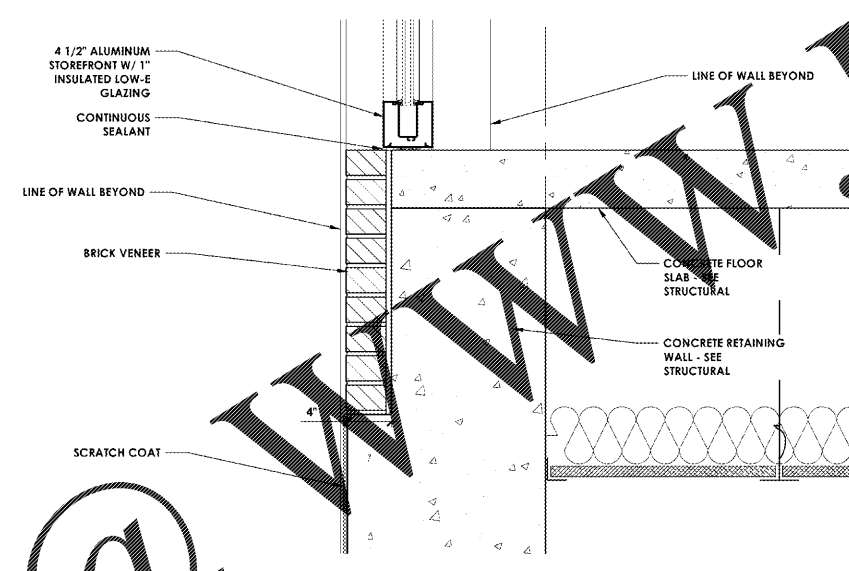
8 DETAIL SECTION
Scale: 1-1/2" = 1'-0"



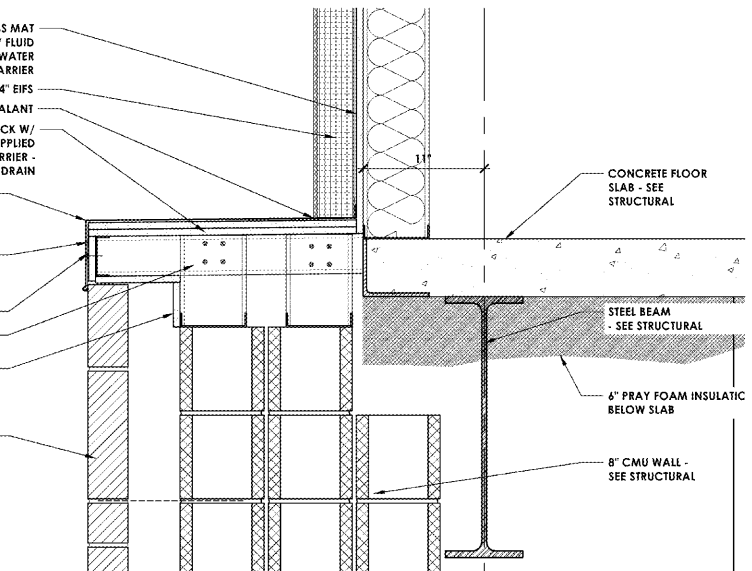
9 DETAIL SECTION
Scale: 1-1/2" = 1'-0"



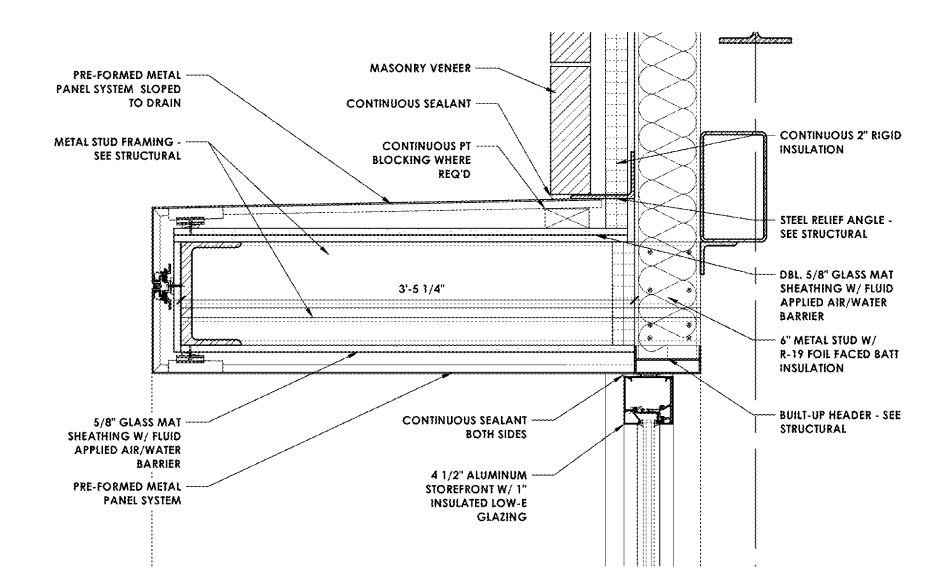
4 DETAIL SECTION
Scale: 1-1/2" = 1'-0"



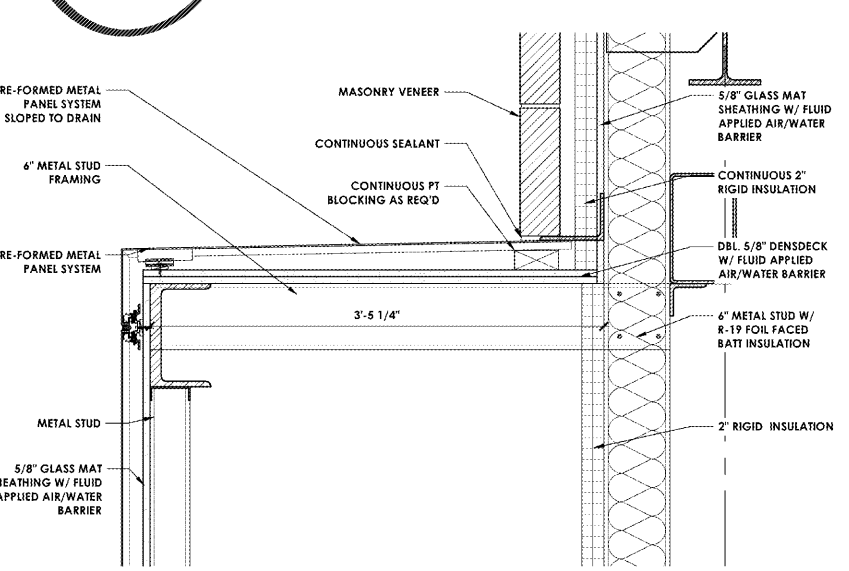
5 DETAIL SECTION
Scale: 1-1/2" = 1'-0"



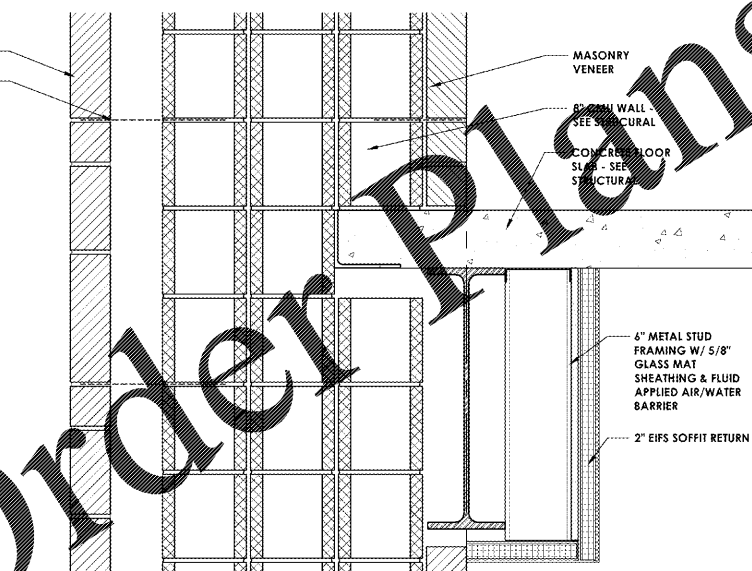
6 DETAIL SECTION
Scale: 1-1/2" = 1'-0"



1 DETAIL SECTION
Scale: 1-1/2" = 1'-0"



2 DETAIL SECTION
Scale: 1-1/2" = 1'-0"



3 DETAIL SECTION
Scale: 1-1/2" = 1'-0"

/VOLUMES/F DRIVE/FINLEY DESIGN/PROJECTS/1342 WESTPOINT 2/DRAWINGS/1342_WALL DETAILS.DWG

Order Plans

WWW.LDILine.com