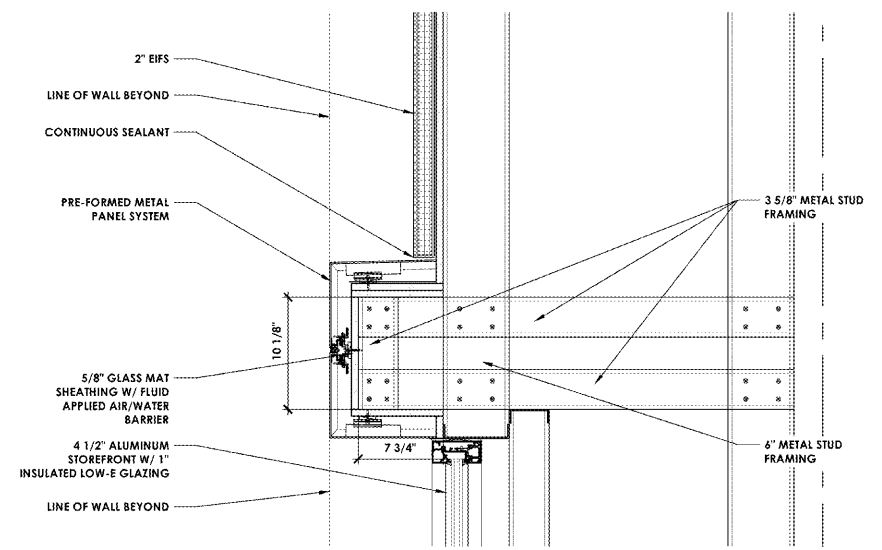


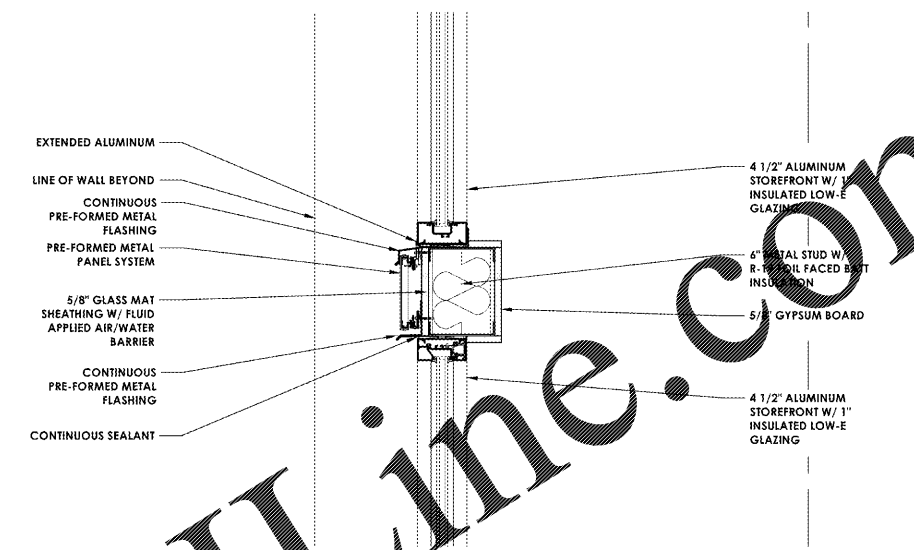
\\VOLUMES\F DRIVE\FINLEY DESIGN\PROJECTS\1342 WESTPOINT 2\DRAWINGS\1342 WALL DETAILS.DWG

Order Plans @

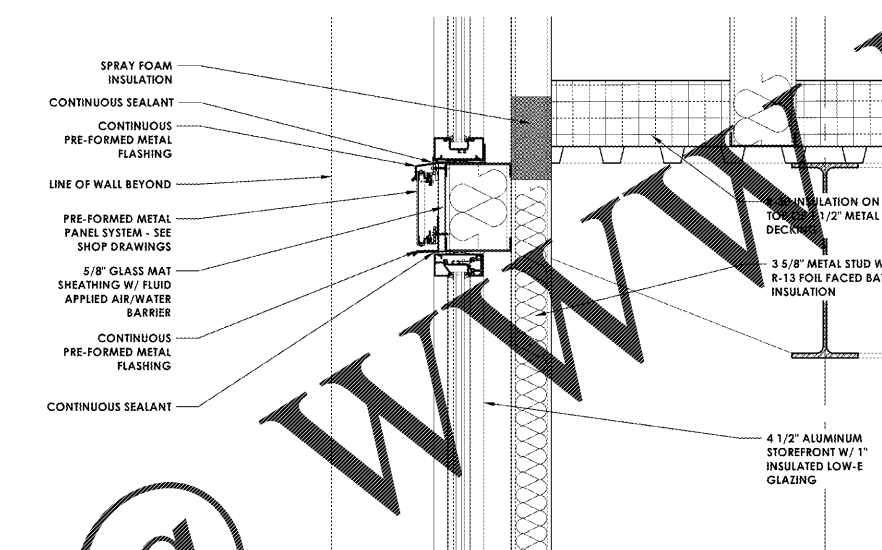
WWW.LDIDLine.com



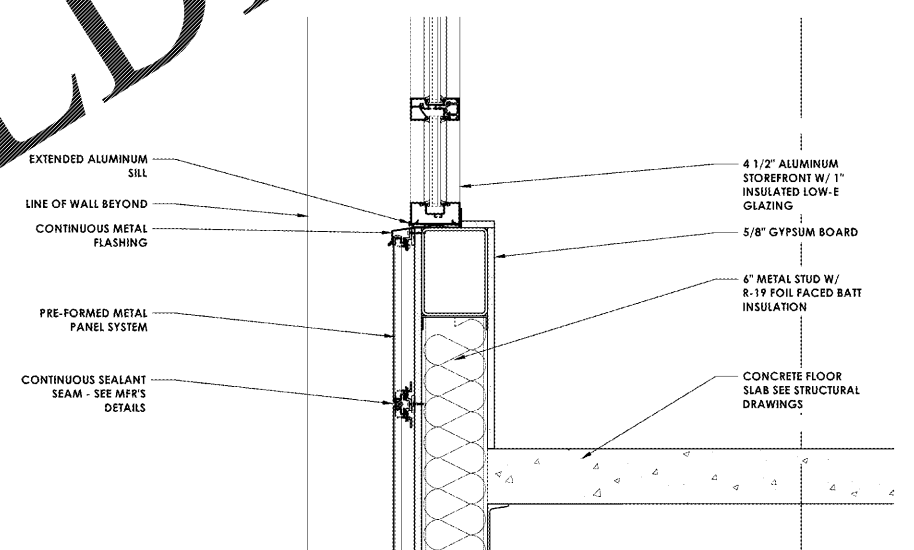
7 DETAIL SECTION
Scale: 1-1/2" = 1'-0"



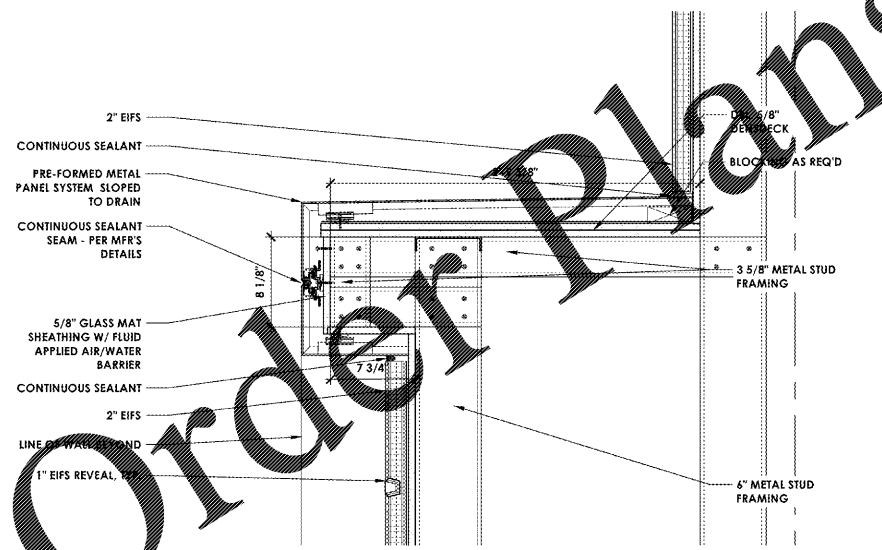
6 DETAIL SECTION
Scale: 1-1/2" = 1'-0"



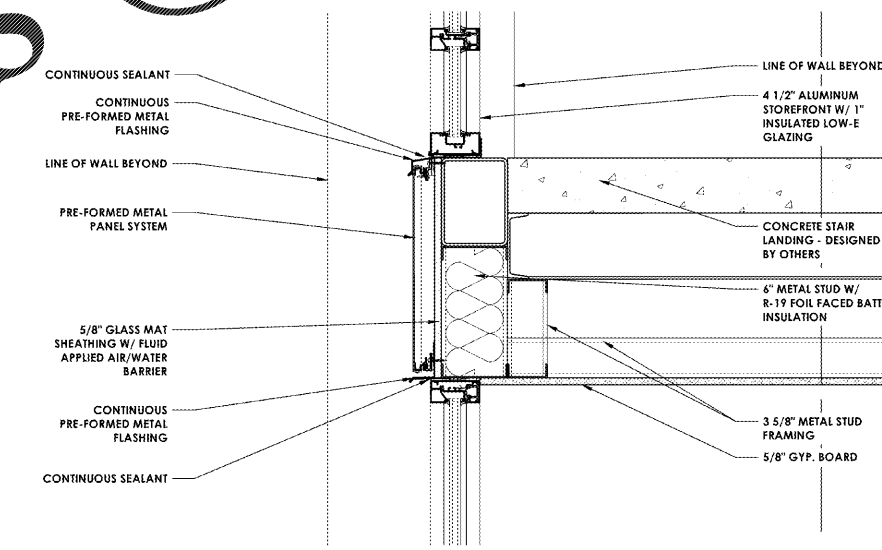
5 DETAIL SECTION
Scale: 1-1/2" = 1'-0"



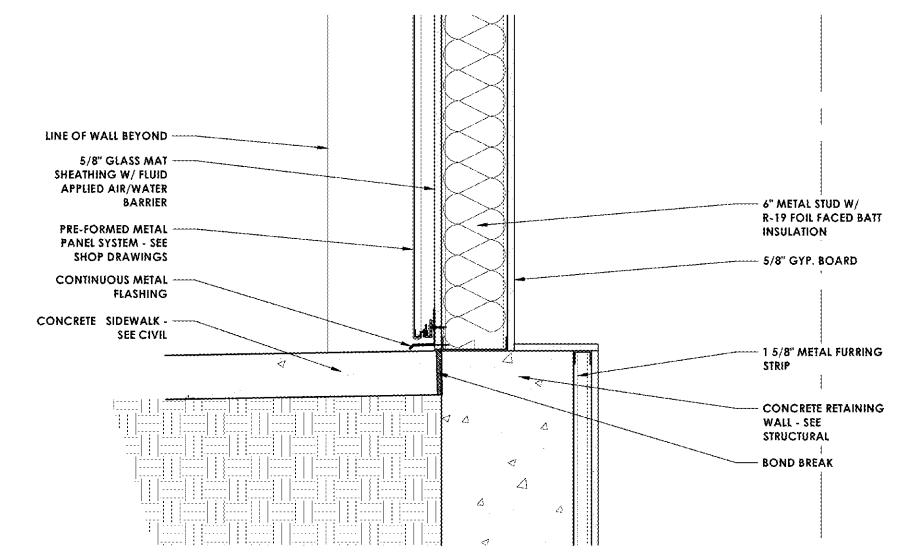
4 DETAIL SECTION
Scale: 1-1/2" = 1'-0"



3 DETAIL SECTION
Scale: 1-1/2" = 1'-0"



2 DETAIL SECTION
Scale: 1-1/2" = 1'-0"



1 DETAIL SECTION
Scale: 1-1/2" = 1'-0"



FINLEY DESIGN PA
7806 NC HWY 751
SUITE 110
DURHAM, NC 27713
919-493-8200
FINLEYDESIGNARCH.COM



WESTPOINT 2
DURHAM, NC

REVISIONS

NO.	DATE	DESCRIPTION

PROJECT: 1342
DATE: 04/06/17
DRAWN BY: JHB
CHECKED BY: JDL

SECTION DETAILS

A8.32