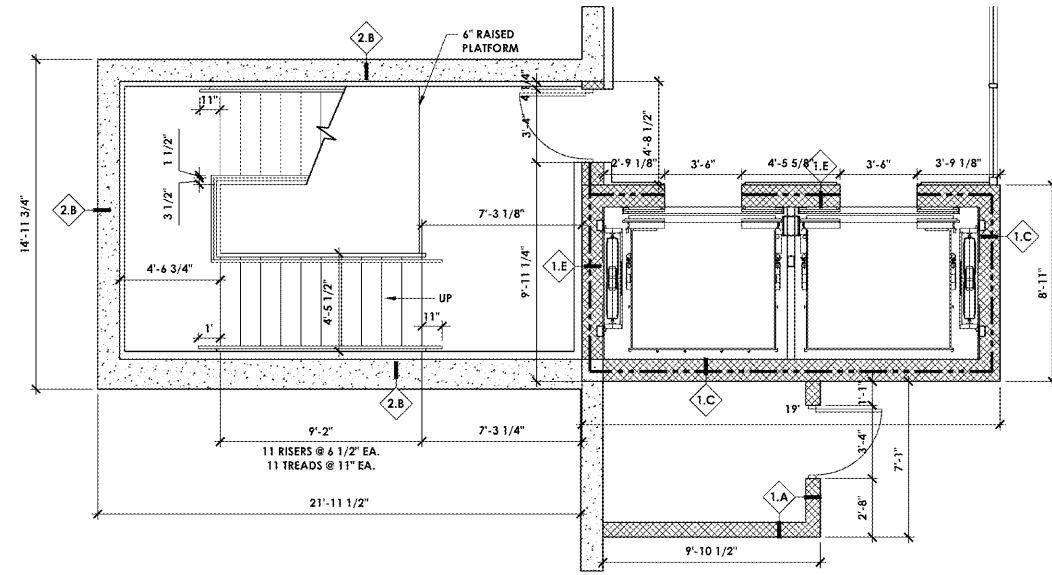
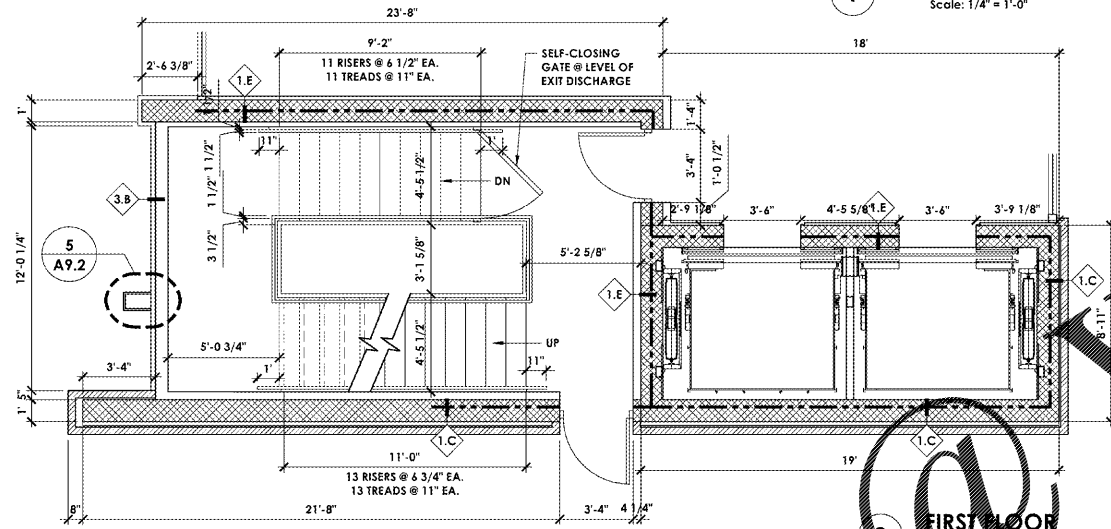


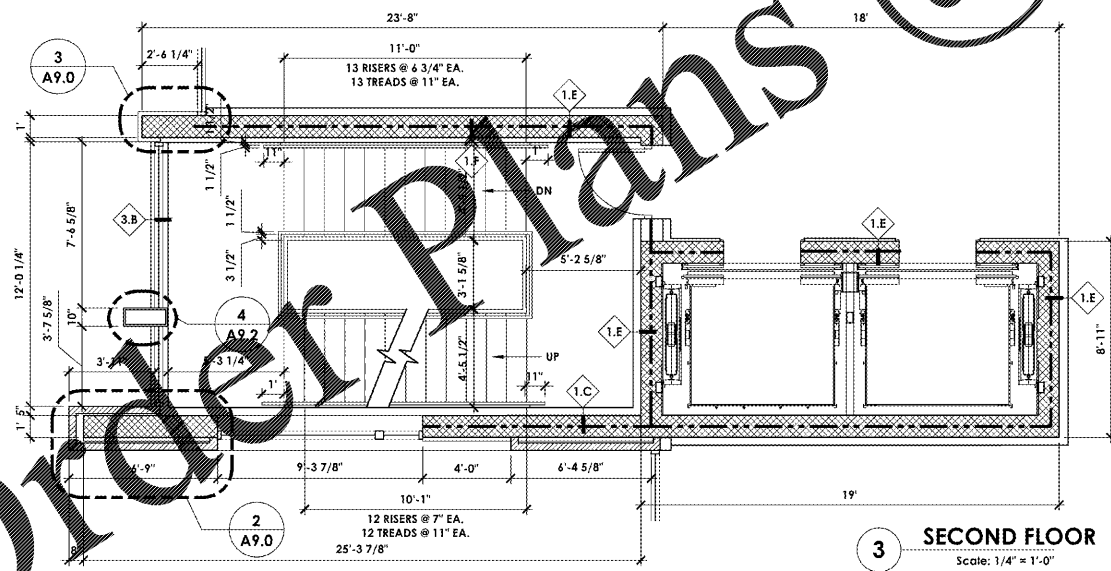
\\VOLUMES\F DRIVE\FINLEY DESIGN\PROJECTS\1342 WESTPOINT 2\DRAWINGS\1342_STAIR AND ELEVATOR DETAILS.DWG



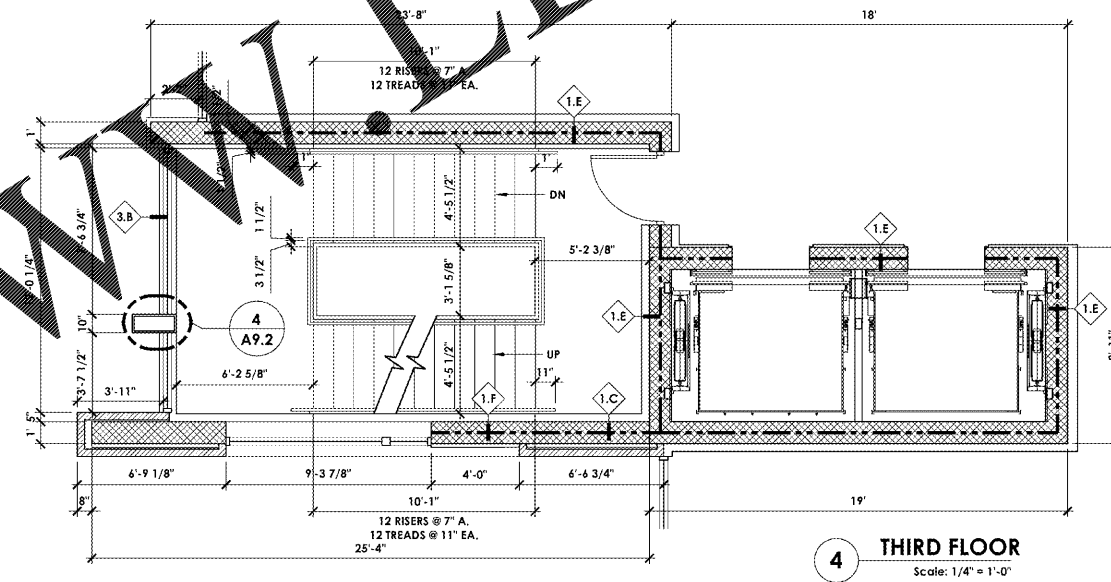
1 GROUND FLOOR
Scale: 1/4" = 1'-0"



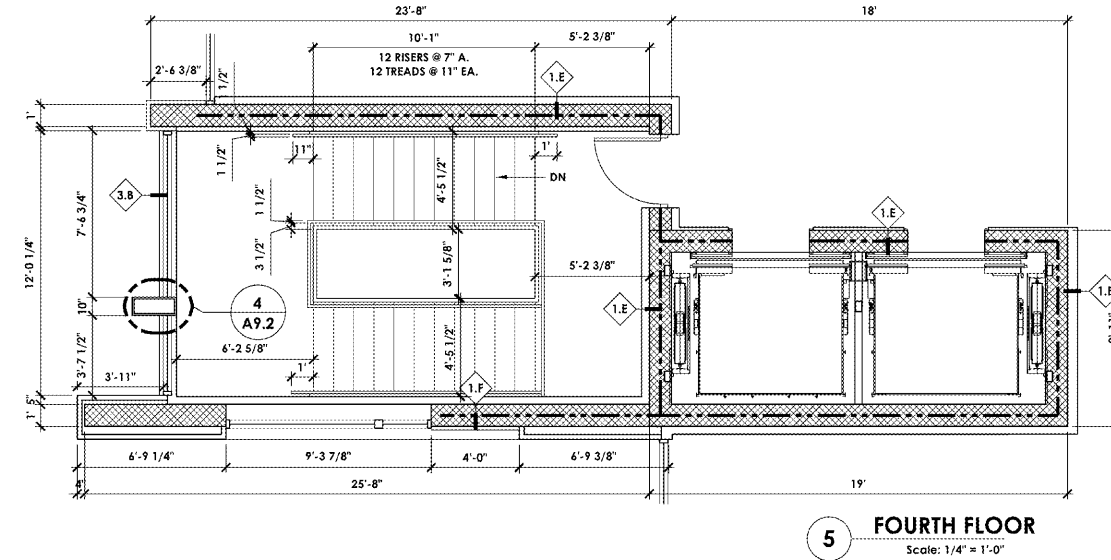
2 FIRST FLOOR
Scale: 1/4" = 1'-0"



3 SECOND FLOOR
Scale: 1/4" = 1'-0"



4 THIRD FLOOR
Scale: 1/4" = 1'-0"



5 FOURTH FLOOR
Scale: 1/4" = 1'-0"

SYMBOL LEGEND

	WALL TYPE KEY
	EQUIPMENT KEY
	WINDOW KEY
	DOOR TYPE KEY
	WALL SECTION KEY
	EXTERIOR ELEVATION KEY
	PLAN DETAIL KEY



FINLEY DESIGN PA
7806 NC HWY 751
SUITE 110
DURHAM, NC 27713
919-493-8200
FINLEYDESIGNARCH.COM



WESTPOINT 2
DURHAM, NC

REVISIONS

PROJECT: 1342
DATE: 04/06/17
DRAWN BY: JHB
CHECKED BY: JDL

STAIR SECTION & DETAILS
A7.2

Order Plans

WWW.DILine.com