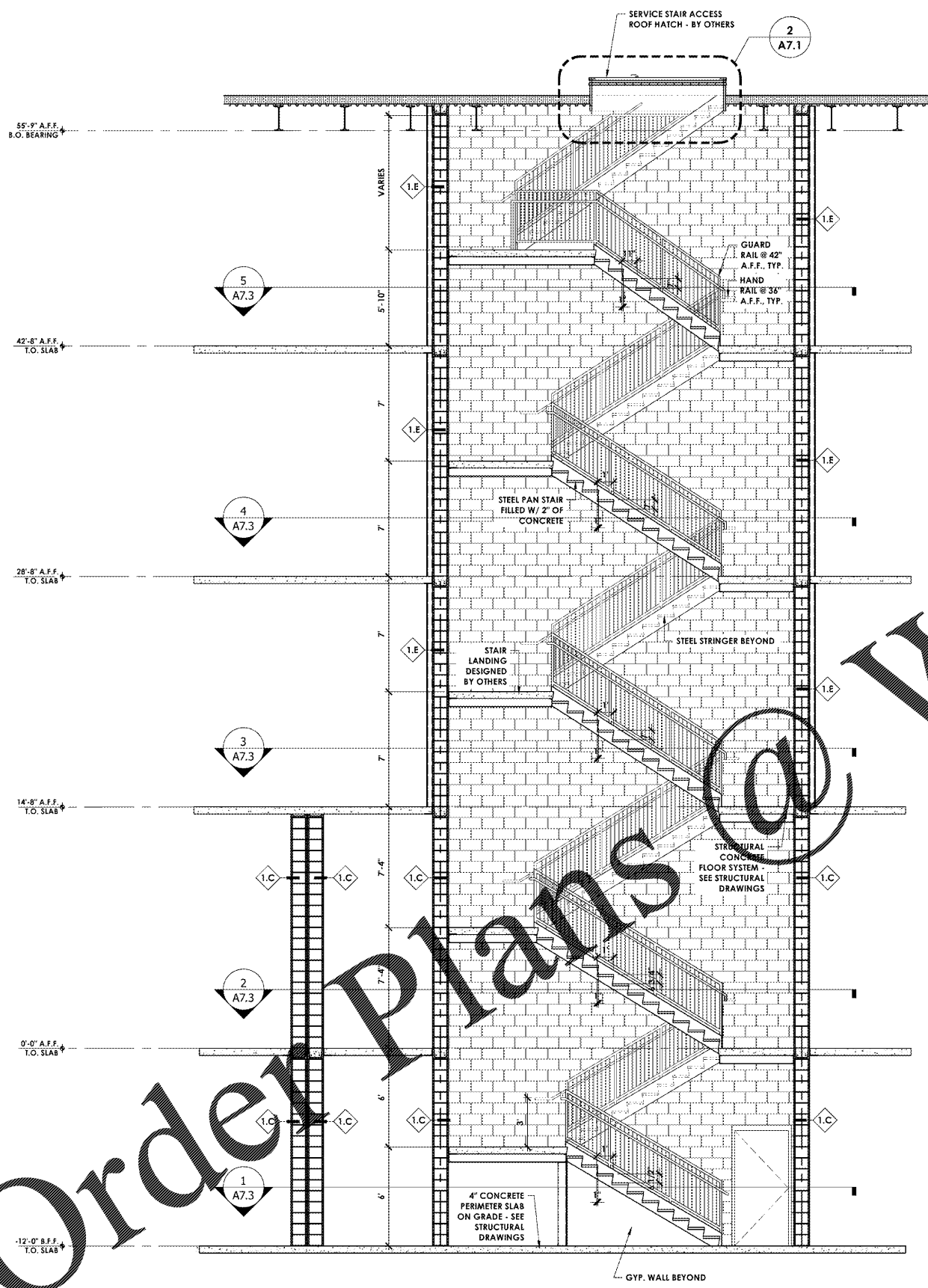
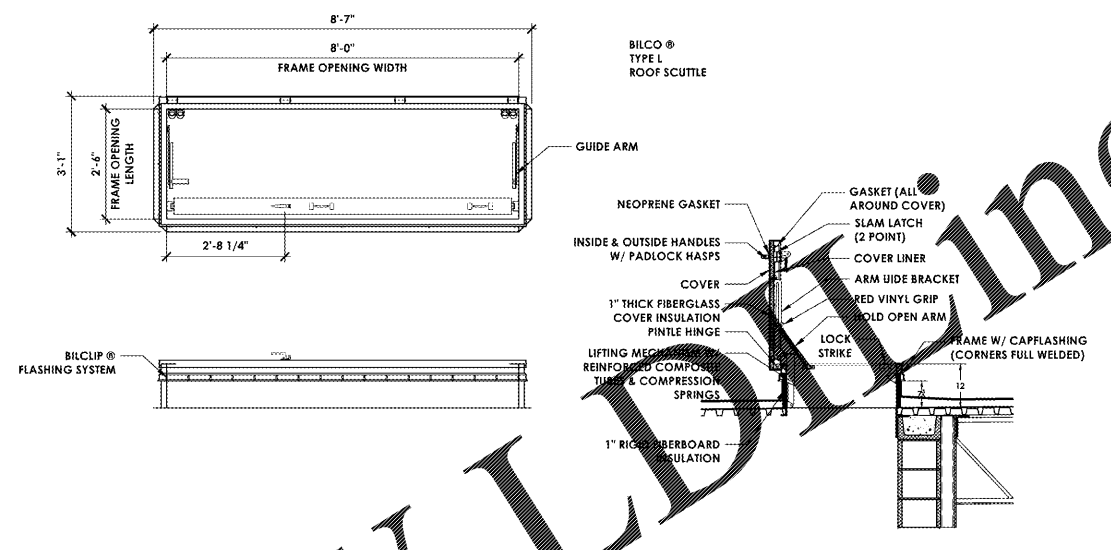


/VOLUMES/F DRIVE/FINLEY DESIGN/PROJECTS/1342 WESTPOINT 2/DRAWINGS/1342_STAIR AND ELEVATOR DETAILS.DWG



1 STAIR SECTION
Scale: 1/4" = 1'-0"



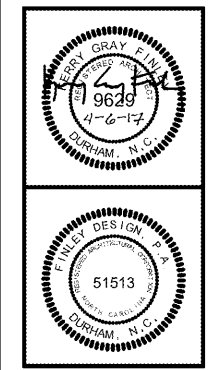
2 ROOF ACCESS HATCH DETAIL
Scale: 1/2" = 1'-0"

SYMBOL LEGEND

2.A	WALL TYPE KEY
01	EQUIPMENT KEY
02	WINDOW KEY
03	DOOR TYPE KEY
04	WALL SECTION KEY
05	EXTERIOR ELEVATION KEY
00	PLAN DETAIL KEY



FINLEY DESIGN
ARCHITECTURE
INTERIORS
7806 NC HWY 751
SUITE 110
DURHAM, NC 27713
919-493-8200
FINLEYDESIGNARCH.COM



WESTPOINT 2
DURHAM, NC

REVISIONS

NO.	DATE	DESCRIPTION

PROJECT: 1342
DATE: 04/06/17
DRAWN BY: JHB
CHECKED BY: JDL

STAIR SECTION & DETAILS
A7.1