

JON E. ECKHARDT, P.E.  
License No. 041117  
3832 E. Highland Road, Suite 1000  
Springfield, MO 65818  
Phone: 417.881.0020  
Fax: 417.881.0028

CRAIG A. SCHEIDER, AIA  
License No. 041117  
1736 East Sunshine, Suite 417  
Springfield, Missouri 65804  
417.882.9555  
Fax: 417.882.3585  
e-mail: architect@stetfyschneider.com

**CONDENSATE SENSOR  
INSTALLATION, TYPICAL ALL RTU**

1. TAKE OUT 6 BOLTS HOLDING IN ECONOMIZER AND UNPLUG.
2. ECONOMIZER IS FACTORY INSTALLED IT HAS TO BE UNPLUGGED AND SLID OUT OF THE ROOFTOP.
3. THEN THERE ARE TWO COVERS ON THE END OF COIL IN WHICH CONDENSATE END OF PAN IS LOCATED THAT NEED TO BE REMOVED.
4. LOCATE THE CONDENSATE SENSOR IN THE DRAIN PAN BECAUSE THIS AREA ON A SRT IS TIGHT.
5. THIS IS THE PREFERRED PLACE FOR THE SENSOR.
6. ATTACH THE CONDENSATE SENSOR TO THE DRAIN PAN AND ROUTE THE SENSOR'S WIRE TO THE RTU'S CONTROL BOARD AND TEST FOR PROPER OPERATION.
7. REASSEMBLE EVERYTHING.

**FAN SCHEDULE**

MARK	DESCRIPTION	MFR.	CATALOG NUMBER	CFM (NOM)	STATIC PRESS.	MOTOR H.P.	ELECTRICAL			ACCESSORIES	REMARKS	REF. DETL.
							V/PH	MCA	MOCP			
FE-1	INLINE EXHAUST FAN	COOK	GN-840	500	0.1	350W	120/1	-	-	BD,DS,WC	⚠	-
FE-2	INLINE FAN	COOK	GN-840	500	0.1	350W	120/1	-	-	BD,DS,SS	⚠	-

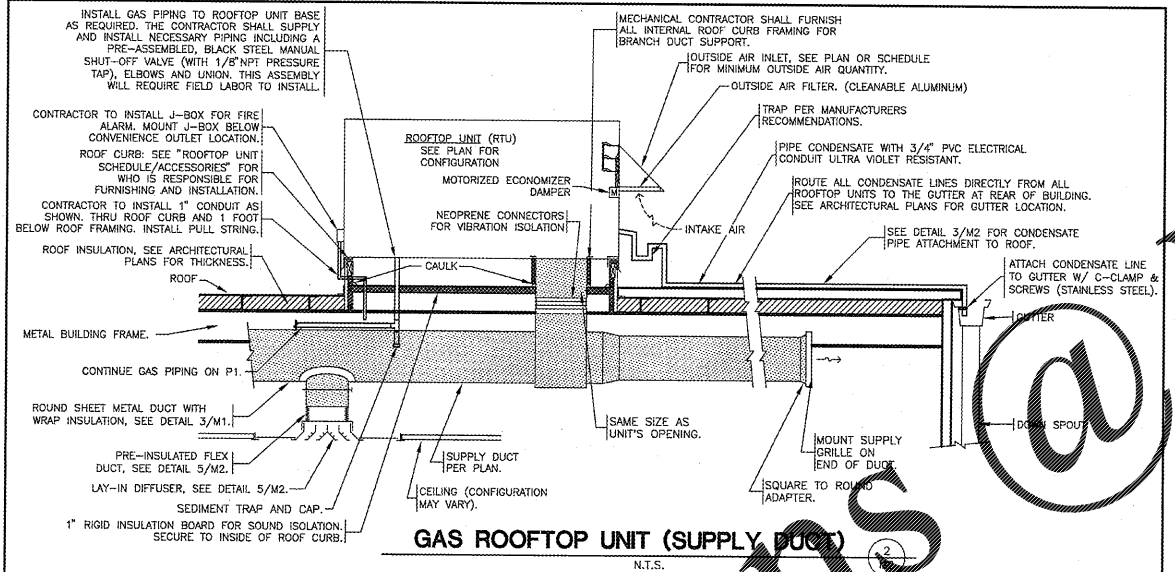
**ACCESSORIES**

BD - GRAVITY BACK DRAFT DAMPER  
DS - DISCONNECT SWITCH  
WC - WALL CAP, "COOK" #WCA-6, ALUMINUM  
SS - FAN SPEED SWITCH "COOK" #FSC (OFFICE ONLY)

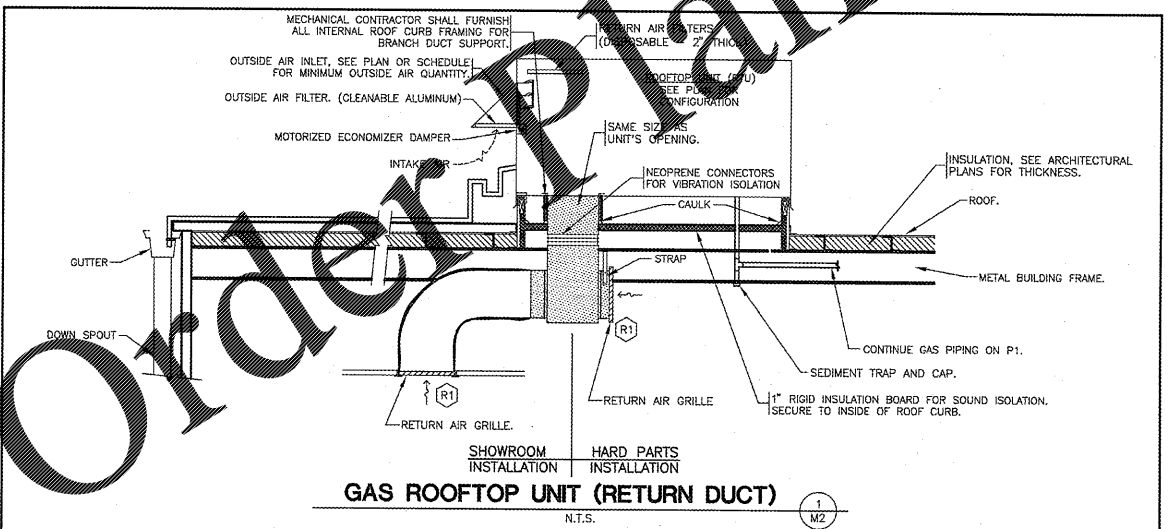
**APPROVED ALTERNATE MANUFACTURER'S**  
EANS: \*GREENHECK \*CARNES

**REMARKS**

- ⚠ ADJUST FOR CFM REQUIRED.
- ⚠ EXHAUST FAN SHALL BE WIRED BY THE ELECTRICAL CONTRACTOR TO OPERATE WITH EITHER RESTROOM'S LIGHT SWITCH.
- ⚠ FAN IN OFFICE TO BE CONTROLLED BY FAN SPEED SWITCH.



**GAS ROOFTOP UNIT (SUPPLY DUCT)**  
N.T.S.



**GAS ROOFTOP UNIT (RETURN DUCT)**  
N.T.S.

**NATIONAL ACCOUNT - ROOFTOP UNIT SCHEDULE - 7.5 TON - GAS (3 PHASE) - BY O'REILLY**

**RTU - RESPONSIBILITIES**

- 1.) ALL CARRIER HVAC UNITS WITH ACCESSORIES ARE OWNER SUPPLIED BY O'REILLY AUTOMOTIVE.
- 2.) MECHANICAL CONTRACTOR IS RESPONSIBLE FOR THE INSTALLATION OF ALL CARRIER HVAC UNITS.
- 3.) MECHANICAL CONTRACTOR IS RESPONSIBLE FOR THE FIRST YEAR LABOR WARRANTY ON ALL OWNER SUPPLIED EQUIPMENT.
- 4.) MECHANICAL CONTRACTORS WORKING ON O'REILLY PROJECTS MUST CALL "CARRIER CORPORATION'S NATIONAL ACCOUNTS" DEPARTMENT FOR CONFIRMATION OF ORDERS ONLY!
- 5.) MECHANICAL CONTRACTOR IS RESPONSIBLE FOR SCHEDULING, SHIPPING & RECEIVING OF ALL CARRIER UNITS FROM CARRIER NATIONAL ACCOUNTS. CONTACT CUSTOMER SERVICE REP. LISTED TO THE RIGHT.

**CALL THE CARRIER CUSTOMER SERVICE REP. BELOW FOR CONFIRMATION OF ORDERS. DO NOT CALL CARRIER FOR QUOTES!**

CARRIER CORPORATION, NATIONAL ACCOUNTS, 29 INDUSTRIAL PARK, BINGHAMTON, NY 13904  
CUSTOMER SERVICE REPS: SARA TILTON, 886-389-4858 EXT. 3429, sara.tilton@carrier.utc.com  
ACCOUNT MANAGER: PAUL WITZ, CELL 315-317-2481, paul.witz@carrier.utc.com

MARK	DESCRIPTION	MFR.	CATALOG NUMBER	STAGE IN/OUT	HTG. MBH	THERM. EFF.	STAGE TOT./SE	CLEANING TOT./SE	TTL. COOL TON/SE	EER	EER	SUPPLY FAN			ELECTRICAL	Wt. (lbs.)	ACCESSORIES	REMARKS	REF. DETL.
												CFM	O.A.	ESP					
RTU-1	WEATHERMASTER PACKAGED ROOFTOP UNIT 7.5-TON	CARRIER	48HCR008B2M5-5F1D0	100/98	80/50	180/1	82%	48.5/36	48.5/36	93/72	13.00	12.00	3000	208V/230V/3P	41	50*	HE,SD,MB,HG,V,S,EC,LPQ,TBEG,SS,RC1,AF,DS,CO2,TS1,RS,PPS,RTRS, HSA	⚠	1/M2 2/M2

**ACCESSORIES - FACTORY SUPPLIED AND INSTALLED**

- HE - STAINLESS STEEL GAS HEAT EXCHANGER, (MEDIUM PRESSURE) (15 YR. WARRANTY).
- SD - RETURN AIR SMOKE DETECTOR.
- MB - MEDIUM STATIC BLOWER, (SINGLE SPEED).
- HG - LOUVERED HAIL GUARDS.
- UPO - UN-POWERED CONVENIENCE OUTLET (FIELD POWERED), 15 AMP, 120V, GROUND FAULT CIRCUIT INTERRUPTER (GFCI).
- TBEG - THRU-THE-BOTTOM THERMISTIC GAS SERVICES, (SEE ROOFTOP UNIT DETAILS).
- SS - HI & LOW REFRIGERANT SERVICE SWITCHES, (STANDARD ON EVERY UNIT).
- AF - 2 AMP AIR FILTERS (STANDARD ON EVERY UNIT).
- VS - VENTSTAR MOTOR, (RIP & REPLACE).

**ACCESSORIES - FACTORY SUPPLIED & FIELD INSTALLED**

- CO2 - CO2 SENSOR, WALL MOUNT, #33ZCSPTCO2LCD-01
- EC - CO2/SPACE TEMPERATURE SENSOR WITH LCD DISPLAY & NO OVERRIDE.
- RTRS - REMOTE TEST/RESET STATION, CARRIER #SD-TRM4(CRSDTST001400) FOR REMOTE TESTING/RESETTING OF DUCT SMOKE DETECTOR. SEE HVAC PLAN FOR MOUNTING LOCATIONS.
- HSA - ALARM/STROBE CARRIER #6536-GS(CRSDHNSB001A00). AUDIBLE/VISUAL SIGNAL DEVICE FOR SIGNALING ALARM OF DUCT SMOKE DETECTOR. SEE HVAC PLAN FOR MOUNTING LOCATIONS.

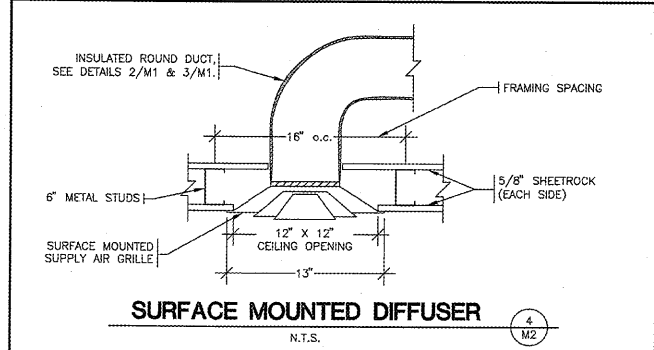
**ACCESSORIES - FIELD SUPPLIED & FIELD INSTALLED**

- RC1 - ROOF CURB, (12" STANDARD, 14" IN EXTREME SNOW DRIFT AREA'S) ON NEW BUILDING, ROOF CURB IS BY BUILDING MANUFACTURER. ON EXISTING BUILDING, ROOF CURB IS BY GENERAL CONTRACTOR. WEIGHT OF ROOF CURB IS NOT INCLUDED IN THE WEIGHT ABOVE.
- PPS - PRIMARY PAN SENSOR, AQUAGUARD AG-3180E. (NO SUBSTITUTIONS). SEE CONDENSATE SENSOR INSTALLATION.

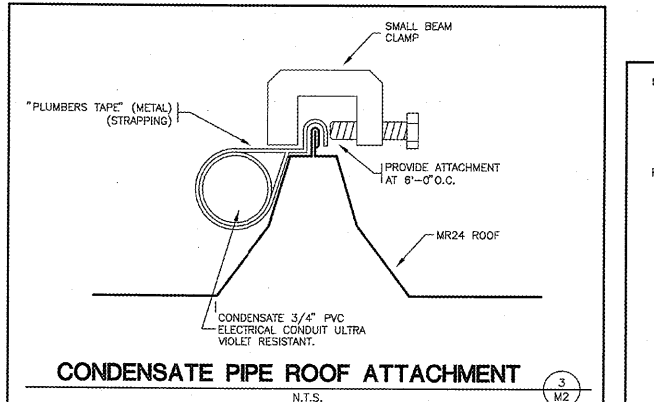
**REMARKS**

- ⚠ COOLING CAPACITY BASED ON 80°F EDB AND 67°F EWB.
- ⚠ CAPACITY BASED ON 95°F AMBIENT TEMPERATURE.
- ⚠ HOTEL HVAC COMPLETION AT CONSTRUCTION COMPLETION:
  1. CONTRACTOR SHALL REPLACE ALL RETURN AIR FILTERS INSIDE ALL HVAC UNITS W/CLEAN NEW AIR FILTERS.
  2. CONTRACTOR SHALL SUPPLY AN ADDITIONAL CLEAN SET OF FILTERS TO THE OWNER AT JOB COMPLETION.
  3. CONTRACTOR SHALL SHOW THE STORE MANAGER THE LOCATION OF & INSTRUCT HIM/HER HOW TO CHANGE ALL AIR FILTERS.

PROJECT: NEW O'REILLY AUTO PARTS STORE  
SLIDING HILL PLACE  
(ASHLAND, VA #2 - ASHLAND MAGISTERIAL DISTRICT)  
HVAC DETAILS



**SURFACE MOUNTED DIFFUSER**  
N.T.S.



**CONDENSATE PIPE ROOF ATTACHMENT**  
N.T.S.

**GRILLE AND DIFFUSER SCHEDULE**

MARK	DESCRIPTION	MFR.	CATALOG NUMBER	SIZE (In.)	FINISH	MOUNTING	BRANCH DUCT SIZE	ACCESSORIES	REMARKS	REF. DETAIL
(G1)	SUPPLY GRILLE	ANEMOSTAT	S2HD	14x14	WHITE	DUCT	SEE PLAN	OB	⚠	-
(S1)	SUPPLY DIFFUSER	ANEMOSTAT	E-1-D	12x12	WHITE	SURFACE	SEE PLAN	DT	⚠	4/M2
(S2)	SUPPLY DIFFUSER	ANEMOSTAT	EPL	24x24	WHITE	DUCT/LAY-IN	SEE PLAN	-	⚠	5/M2
(R1)	RETURN GRILLE	ANEMOSTAT	GC5	24x24	WHITE	LAY-IN/EXPOSED	SEE PLAN	-	⚠	5/M2
(R2)	RETURN GRILLE	ANEMOSTAT	GC5	12x12	WHITE	SURFACE	SEE PLAN	-	⚠	4/M2
(E1)	EXHAUST GRILLE	ANEMOSTAT	S3HS	12x12	WHITE	CEILING	SEE PLAN	OB	-	-

**ACCESSORIES**

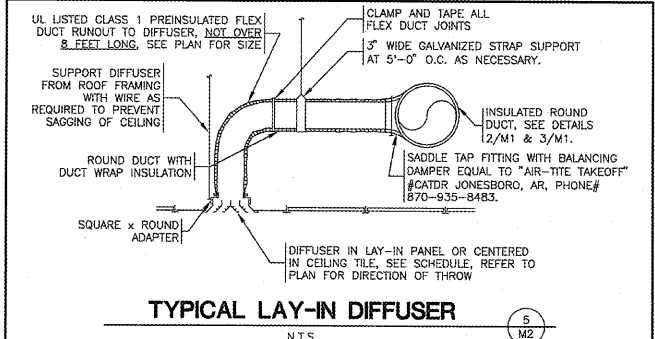
OB - OPPOSED BLADE DAMPER  
DT - DIRECTIONAL TABS

**APPROVED ALTERNATE MANUFACTURER'S**

GRILLES, DIFFUSERS & DAMPERS:  
\*TUTTLE & BAILEY \*NAILOR \*ARROW \*CARNES  
\*PRICE INDUSTRIES \*TITUS \*KRUEGER

**REMARKS**

- ⚠ 1-WAY
- ⚠ 4-WAY
- ⚠ DIRECTIONAL TABS, ADJUST TO PROVIDE THROW AS INDICATED ON PLANS.



**TYPICAL LAY-IN DIFFUSER**  
N.T.S.

**O'Reilly AUTO PARTS**  
CORPORATE OFFICES  
233 SOUTH PATTERSON  
SPRINGFIELD, MISSOURI 65802  
(417) 862-2674 TELEPHONE

COMM # 3993  
DATE: 2-24-17  
REVISION  
DATE: 8-16-17