

RECEIVED
NOV 09 2017
PLUMBING DEPARTMENT

PLUMBING PIPE MATERIALS:

A. The following applications are for inside, below & above the building slab and ending at a point 5'-0" outside the perimeter building walls.

- Domestic Water Distribution Piping Below Ground: All interior domestic water piping shall be type "K" hard drawn copper tubing (SIL-FOS 2, FOS-FLO 7 or other silver brazing material). This is required for the water service line from the shut-off valve in the building to a point 5 feet outside the building.
- Domestic Water Distribution Piping Above Ground: Hard copper tube, Type L.
- Soil, Waste, and Vent Piping Below Ground: Schedule 40 poly vinyl chloride (PVC) plastic DWV pipe;
- Soil, Waste, and Vent Piping Above Ground: Hubless cast-iron soil pipe or Poly vinyl chloride (PVC) plastic DWV pipe
- Note: PVC piping is not permitted in air-handling ceiling spaces, use only cast-iron or ductile iron pipe in these locations.

B. The following applications are for only from 5'-0" outside the building to the utility point of connection (POC).

Underground domestic water service piping from a point 5 feet outside the building to the POC.
(See Site Utilities Plan for which piping material (Copper or PVC) is required):

- 1/2" - 1", Schedule 40 PVC pipe with solvent-welded joints.
- 1 1/2" - 3", SDR-21, PVC pipe (ASTM D2241) Class 200, Bell and Spigot with rubber gasketed joints.
- 3/4" - 3", Type "K" hard drawn copper tubing (SIL-FOS 2, FOS-FLO 7 or other silver brazing material).
- 4" and larger, SDR-18 PVC pipe (AWWA C-900) Class 150 Bell and Spigot with rubber gasketed joints.

Underground sanitary sewer service piping from a point 5 feet outside the building to the POC.

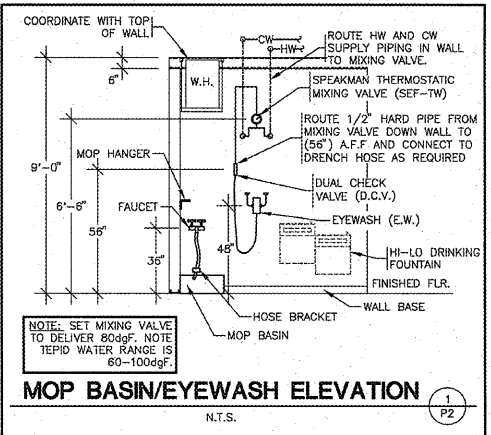
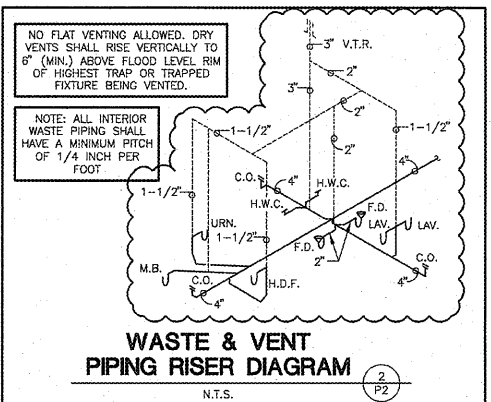
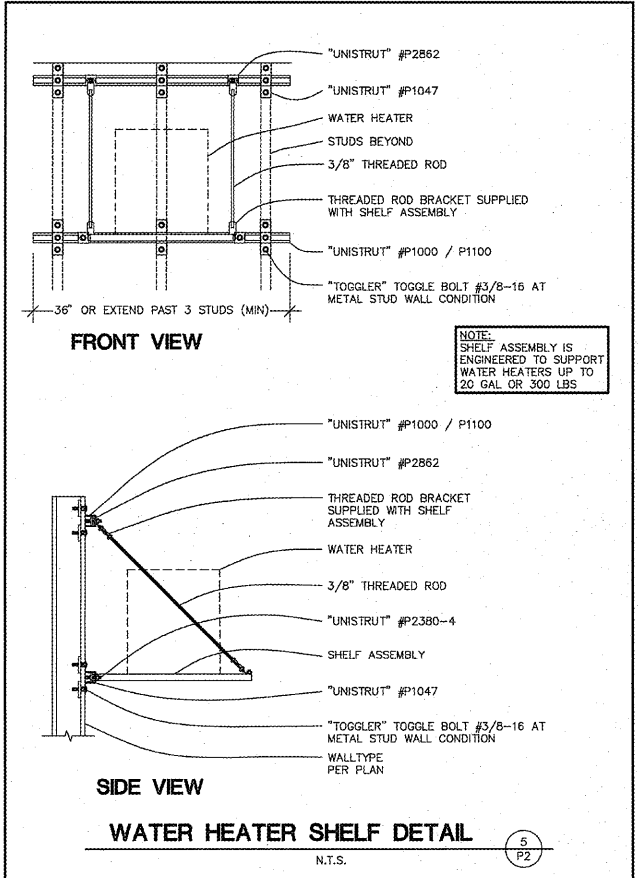
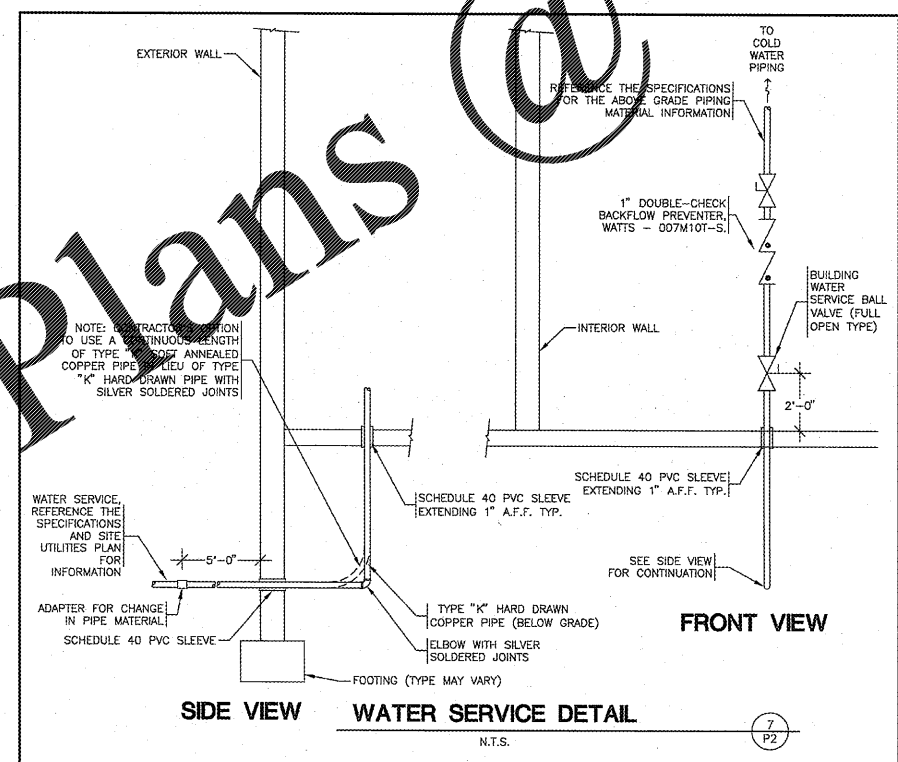
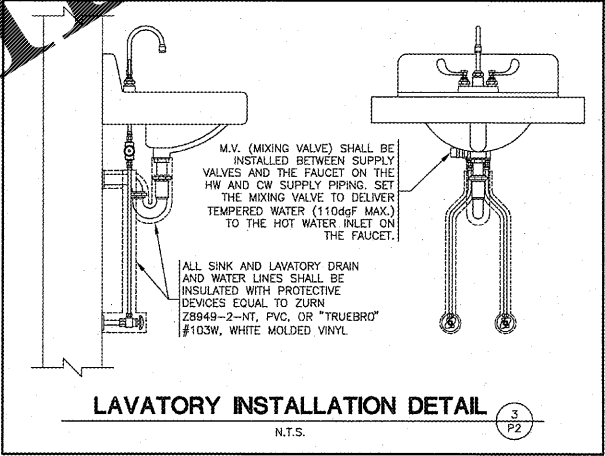
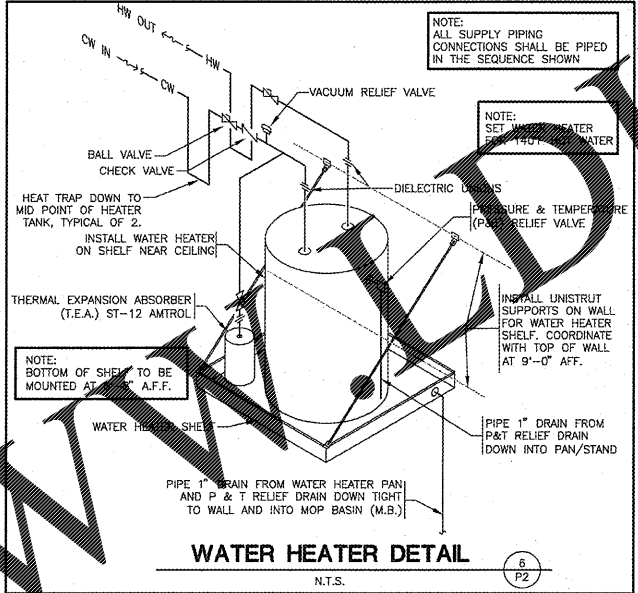
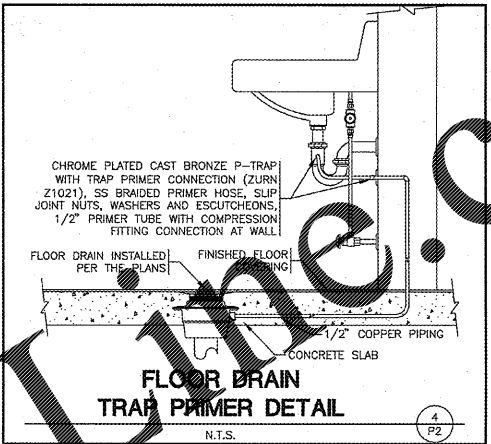
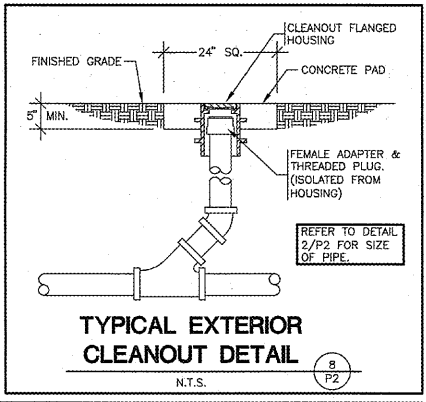
- Polyvinyl chloride (PVC) sewer pipe shall conform to ASTM D3034 (SDR-35).
- Ductile iron sewer pipe shall be installed where under traffic areas or paved areas and less than 6' of bury, in conformance with USASI #A-21 class 52 per Hanover County requirements.

PROJECT: O'REILLY AUTO PARTS

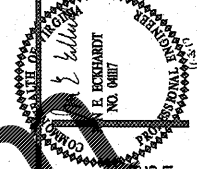
PLUMBING CALCULATION

FIXTURE	QUANTITY	TOTAL-SFU	TOTAL	TOTAL-HW	TOTAL	DFU	TOTAL
W.C. (TANK)	2	5	10	0	0	4	8
URN. (URINAL)	1	5	5	0	0	4	4
LAV. (LAVATORY)	2	2	4	1.5	3	2	4
M.B. (MOP BASIN)	1	3	3	1.5	1.5	2	2
H.D.F. (FOUNTAIN)	1	0.25	0.25	0	0	0.5	0.5
H.B. (HOSE BIB)	2	3	6	0	0	0	0
TOTAL			28.28	TOTAL	TOTAL	18.5	

TOTAL CW GPM 20.0
COLD WATER SERVICE SIZE 1"
SANITARY SEWER
AVERAGE DAILY FLOW 427 gal/DAY
PEAK DESIGN 1.5 gal/MIN



JOHN E. RECKHARDT, P.E.
License No. 041317
2333 E. Hartsfield Road, Suite 1000
Springfield, Missouri 65802
Phone: 417-862-0538
Fax: 417-862-0539



CRAIG A. SCHNEIDER, AIA
ARCHITECT
417-862-0538
1736 East Sunshine, Suite 417
Springfield, Missouri 65804
e-mail: architect@eterfischer.com

PROJECT:
NEW O'REILLY AUTO PARTS STORE
SLIDING HILL PLACE
ASHLAND, VA #2 - ASHLAND MAGISTERIAL DISTRICT
PLUMBING DETAILS

O'Reilly AUTO PARTS
CORPORATE OFFICES
233 SOUTH PATTERSON
SPRINGFIELD, MISSOURI 65802
(417) 862-2674 TELEPHONE

COMM #	3993
DATE:	2-24-17
REVISION DATE:	8-16-17
	11-3-17