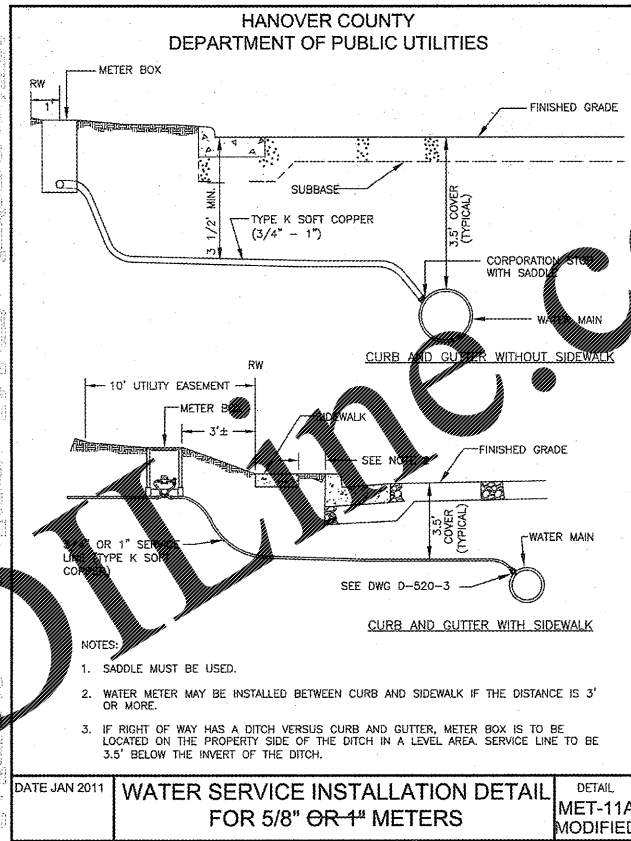
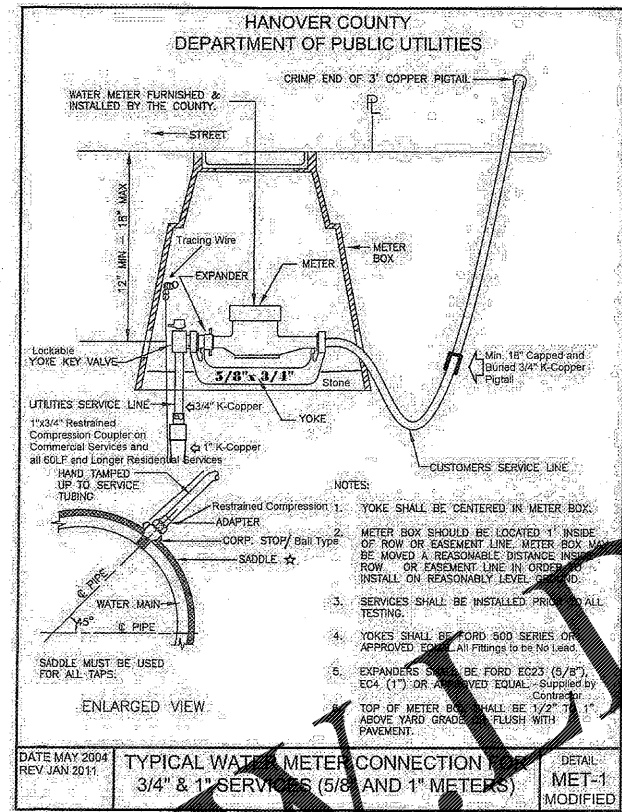
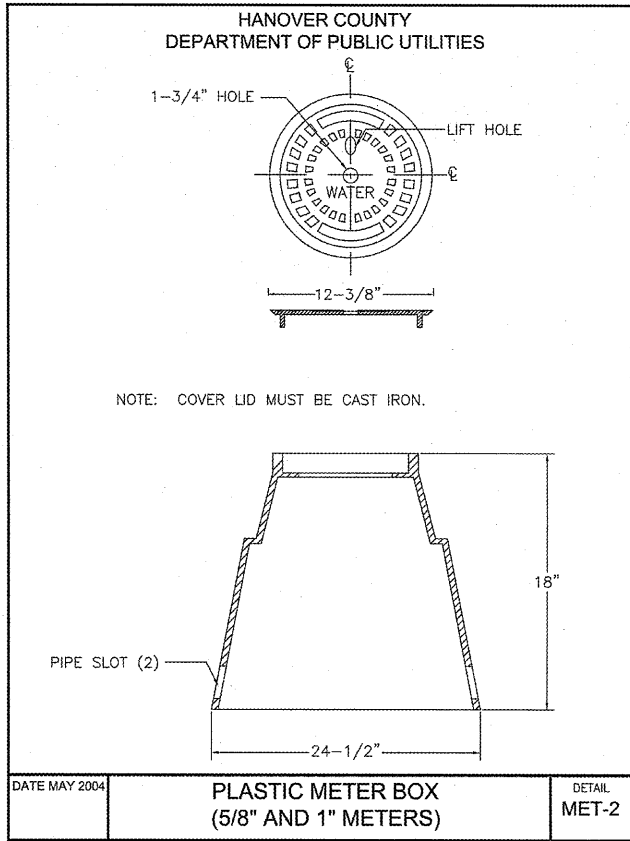
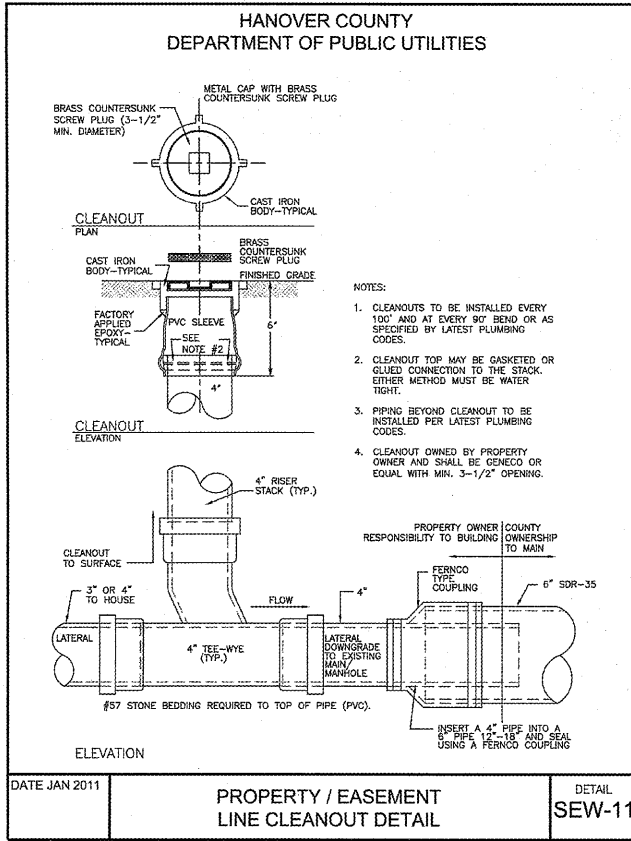


RECEIVED
DEC 18 2017
1736 E. SUNSHINE ST. SUITE 417
SPRINGFIELD, MO



JOHN E. ECKHARDT, P.E.
License No. 041317
2333 E. Battlefield Road, Suite 1000
Springfield, Missouri 65802
Phone: 417-862-6584
Fax: 417-861-0030
e-mail: architect@eterflyschneider.com



CRAIG A. SCHNEIDER, AIA
ARCHITECT
1736 East Sunshine, Suite 417
Springfield, Missouri 65804
e-mail: architect@eterflyschneider.com

PROJECT:
NEW O'REILLY AUTO PARTS STORE
SLIDING HILL PLACE
ASHLAND, VA #2 - ASHLAND MAGISTERIAL DISTRICT
UTILITY SITE DETAILS

O'Reilly AUTO PARTS
CORPORATE OFFICES
233 SOUTH PATTERSON
SPRINGFIELD, MISSOURI 65802
(417) 862-2674 TELEPHONE

COMM # 3993
DATE: 2-24-17
REVISION DATE: 8-16-17
DATE: 11-3-17
DATE: 12-12-17

COUNTY OF HANOVER DEPARTMENT OF PUBLIC UTILITIES
P.O. BOX 470
HANOVER, VIRGINIA 23069
METER SIZING FORM

Customer: **O'Reilly Auto Parts** Address: **Springfield, MO**
Building Address: **Sliding Hill Place** Type of Occupancy: **Retail**
Development Name: _____ GPIN Number: _____
Applicant: **Jon Eckhardt**
Title/Company: **MFEC** Daytime Phone # **417-881-0020**

I certify that the information on this form is true and correct to the best of my knowledge.

Domestic Demand Fixture	Fixture Value	No. of Ex. Fixtures	No. of Prop. Fixtures	Fixture Value
Bathtub	8 x	()	()	0
Dental Unit	2 x	()	()	0
Dishwasher	2 x	()	()	0
Drinking Fountain	2 x	()	()	0
Hose Connection/Spigot 1/2"	5 x	()	()	0
Hose Connection/Spigot 5/8"	9 x	()	()	0
Hose Connection/Spigot 3/4"	12 x	()	()	0
Kitchen Sink	2.2 x	()	()	0
Lavatory/Faucet	1.5 x	()	()	0
Shower Head	2.5 x	()	()	0
Toilet/Water Closet flush valve	10 x	()	()	0
Toilet/Water Closet tank type	4 x	()	()	0
Urinal flush valve	5 x	()	()	0
Utility Sink/Service Sink	4 x	()	()	0
Washing Machine	6 x	()	()	0
Other:	x	()	()	0
Other:	x	()	()	0
Other:	x	()	()	0
Combined Fixture Value Total				0

Domestic plus Fixed Demands: Flow (gpm) = **15**

Fixed Flow Irrigation = **15**
Fixed Flow = **0**
Sum of Fixed Flows (A): = **15**
Equivalent Fixed Flow for Fixture Count (B): = **0**
Total Flow (A + B): = **15**
Required Water Meter Size: = **5/8"**

7-9 Revised March 2013

COUNTY OF HANOVER DEPARTMENT OF PUBLIC UTILITIES
P.O. BOX 470
HANOVER, VIRGINIA 23069
METER SIZING FORM

Customer: **O'Reilly Auto Parts** Address: **Springfield, MO**
Building Address: **Sliding Hill Place** Type of Occupancy: **Retail**
Development Name: _____ GPIN Number: _____
Applicant: **Jon Eckhardt**
Title/Company: **MFEC** Daytime Phone # **417-881-0020**

I certify that the information on this form is true and correct to the best of my knowledge.

Domestic Demand Fixture	Fixture Value	No. of Ex. Fixtures	No. of Prop. Fixtures	Fixture Value
Bathtub	8 x	()	()	0
Dental Unit	2 x	()	()	0
Dishwasher	2 x	()	()	0
Drinking Fountain	2 x	()	()	0
Hose Connection/Spigot 1/2"	5 x	()	()	0
Hose Connection/Spigot 5/8"	9 x	()	()	0
Hose Connection/Spigot 3/4"	12 x	()	()	0
Kitchen Sink	2.2 x	()	()	0
Lavatory/Faucet	1.5 x	()	()	0
Shower Head	2.5 x	()	()	0
Toilet/Water Closet flush valve	10 x	()	()	0
Toilet/Water Closet tank type	4 x	()	()	0
Urinal flush valve	5 x	()	()	0
Utility Sink/Service Sink	4 x	()	()	0
Washing Machine	6 x	()	()	0
Other:	x	()	()	0
Other:	x	()	()	0
Other:	x	()	()	0
Combined Fixture Value Total				46

Domestic plus Fixed Demands: Flow (gpm) = **0**

Fixed Flow Irrigation = **0**
Fixed Flow = **0**
Sum of Fixed Flows (A): = **0**
Equivalent Fixed Flow for Fixture Count (B): = **20**
Total Flow (A + B): = **20**
Required Water Meter Size: = **5/8"**

7-9 Revised March 2013

HANOVER COUNTY DEPARTMENT OF PUBLIC UTILITIES
GENERAL UTILITY NOTES:

- WHENEVER CONNECTING A SEWER LATERAL TO AN EXISTING MANHOLE, CORE DRILLING AND A FLEXIBLE PIPE-TO-MANHOLE CONNECTOR SHALL BE USED. THE CONNECTOR SHALL BE KOR-N-SEAL ASSEMBLY OR APPROVED EQUAL. THE CONNECTOR SHALL BE INSTALLED IN STRICT ACCORDANCE WITH THE MANUFACTURER'S SPECIFICATIONS.
- WHENEVER CONNECTING A SEWER LATERAL TO AN EXISTING SEWER LINE, THE CONTRACTOR MUST USE A MECHANICAL HOLE CUTTER WHEN TAPPING THE EXISTING SEWER LINE AND AN APPROVED SADDLE OR INSERTA-TEE OR KOR-N-TEE SHALL BE USED.
- THE CONTRACTOR SHALL SCHEDULE AND COORDINATE THE SHUT-OFF OF EXISTING WATER LINES AND ANY CORRESPONDING SERVICE INTERRUPTIONS WITH HANOVER COUNTY DPJ AND ALL AFFECTED CUSTOMERS AT LEAST 48 HOURS PRIOR TO THE SCHEDULED ACTIVITY. THE CONTRACTOR IS TO NOTIFY ALL AFFECTED CUSTOMERS IN WRITING. THE CONTRACTOR SHALL MAKE PROVISIONS TO PROVIDE REASONABLE ACCOMMODATIONS TO AFFECTED CUSTOMERS AND SHALL TAKE ALL NECESSARY STEPS TO MINIMIZE THE LENGTH OF THE SERVICE INTERRUPTION. IN CASES WHERE SPECIAL OPERATIONAL ISSUES ARISE AS A RESULT OF THE PROPOSED WORK, DPJ RESERVES THE RIGHT TO DELAY OR POSTPONE THE WORK SO NOT TO JEOPARDIZE THE INTEGRITY OF ITS UTILITY SYSTEM OR SERVICE TO CUSTOMERS.
- ALL SANITARY SEWERS CONSTRUCTED IN FILL SHALL BE OF DUCTILE IRON SEWER PIPE (CLASS 52 MINIMUM) WITH MANHOLES FOUNDED ON ORIGINAL GROUND UNLESS A LICENSED GEOTECHNICAL ENGINEER FURNISHES A WRITTEN CERTIFICATION THAT THE FILL HAS BEEN SUFFICIENTLY COMPACTED SO THAT SETTLEMENT OF THE SANITARY SEWER MAIN AND/OR MANHOLE WILL NOT OCCUR.
- ALL WATER MAINS CONSTRUCTED IN FILL SHALL BE DUCTILE IRON PIPE WITH RESTRAINED JOINTS UNLESS A LICENSED GEOTECHNICAL ENGINEER FURNISHES A WRITTEN CERTIFICATION THAT THE FILL HAS BEEN SUFFICIENTLY COMPACTED SO THAT SETTLEMENT OF THE WATER MAIN WILL NOT OCCUR.
- ALL SEWER SERVICE CONNECTIONS SHALL BE TERMINATED AT THE PROPERTY LINE W/ AN APPROVED WATER TIGHT PLUG AND MARKED WITH A 2" X 4" BOARD, PAINTED GREEN. INSTALLED PLUMB FROM BOTTOM OF 6" PLUG TO 2 FEET ABOVE GROUND. CLEANOUT ASSEMBLY IS TO BE INSTALLED BY THE BUILDING PLUMBER PER SEW-11.
- VALVE BOXES NOT LOCATED IN PAVEMENT OR CONCRETE SHALL HAVE A 2 FOOT SQUARE BY 4" THICK CONCRETE PAD POURED AROUND THEM PER DETAIL WAT-5 AND SECTION 2.4.3.1.C.2.
- WATER METERS OR OTHER WATER UTILITY APPURTENANCES SHALL NOT BE LOCATED IN DRIVEWAYS, SIDEWALKS, OR OTHER PAVED AREAS IN SUBDIVISION OR TOWNHOUSE DEVELOPMENTS WITHOUT THE PRIOR APPROVAL OF THE DEPARTMENT OF PUBLIC UTILITIES.

DATE MAY 2004
REV JAN 2011
STANDARD SEWER AND WATER NOTES
DETAIL DES-2
SHT. 2 OF 2

HANOVER COUNTY DEPARTMENT OF PUBLIC UTILITIES
GENERAL UTILITY NOTES:

- ALL WATER AND SEWER CONSTRUCTION AND MATERIALS SHALL BE IN ACCORDANCE WITH THE STANDARDS AND REQUIREMENTS OF THE HANOVER COUNTY DEPARTMENT OF PUBLIC UTILITIES. THE COUNTY'S WATER AND SANITARY SEWER STANDARDS ARE INCORPORATED BY REFERENCE.
- THE CONTRACTOR SHALL CONTACT THE HANOVER COUNTY DEPARTMENT OF PUBLIC UTILITIES INSPECTION DIVISION TO SCHEDULE A PRE-CONSTRUCTION CONFERENCE AT LEAST 48 HOURS PRIOR TO BEGINNING ANY CONSTRUCTION ACTIVITY ON WATER OR SEWER IMPROVEMENTS.
- THE CONTRACTOR IS RESPONSIBLE FOR OBTAINING ALL REQUIRED PERMITS FOR THE WORK.
- A PERMIT FROM THE VIRGINIA DEPARTMENT OF TRANSPORTATION IS REQUIRED FOR ALL WORK WITHIN A PUBLIC ROAD RIGHT-OF-WAY. WITHIN THE LIMITS OF THE TOWN OF ASHLAND THE TOWN ISSUES THIS PERMIT FOR ALL ROADS EXCEPT I-86.
- WATERLINES 12" AND SMALLER SHALL BE DUCTILE IRON PIPE MEETING THE REQUIREMENTS OF ANMA C151 THICKNESS CLASS 52 OR PVC PIPE MEETING THE REQUIREMENTS OF ANMA C900, CLASS 150.
- METER BOX LIDS SHALL HAVE A 1-3/4" DIAMETER HOLE LOCATED IN ITS CENTER. THE HOLE SHALL EITHER BE CAST IN PLACE AT THE FOUNDRY OR AFTER CASTING BE RETROFITTED VIA A PLASMA ARC TORCH.
- THE LOCATION OF EXISTING UTILITIES ACROSS OR ALONG THE ROUTE OF THE PROPOSED WORK IS NOT NECESSARILY SHOWN ON THE PLANS, AND WHEN SHOWN, IS ONLY APPROXIMATELY CORRECT. THE CONTRACTOR SHALL, ON HIS OWN INITIATIVE, LOCATE ALL EXISTING UNDERGROUND LINES, FACILITIES AND STRUCTURES AS REQUIRED. THE CONTRACTOR IS RESPONSIBLE FOR REPAIRING ANY UNDERGROUND LINES, FACILITIES AND STRUCTURES DAMAGED BY HIS ACTIVITIES.
- CONTRACTOR SHALL CALL "MISS-UTILITY" AT (800)552-7001 PRIOR TO THE START OF CONSTRUCTION.
- NO STRUCTURES OR TREES SHALL BE PERMITTED IN UTILITY EASEMENTS.
- FINAL ACCEPTANCE OF WORK BY THE HANOVER COUNTY DEPARTMENT OF PUBLIC UTILITIES SHALL NOT BE MADE UNTIL ALL WORK SHOWN ON THE APPROVED PLANS IS COMPLETED.
- TWO SETS OF PRINTS AND ONE ELECTRONIC COPY OF THE AS-BUILT DRAWINGS MUST BE SUBMITTED TO THE DEPARTMENT OF PUBLIC UTILITIES PRIOR TO TENTATIVE ACCEPTANCE OF THE WORK BY THE COUNTY.
- WATER CONNECTIONS SHALL NOT BE BACKFILLED PRIOR TO APPROVAL BY THE HANOVER COUNTY DEPARTMENT OF PUBLIC UTILITIES.
- ALL WATERLINES SHALL HAVE A MINIMUM OF 3.5 FEET OF COVER.
- TESTING NOTES:
PRESSURE: LEAKAGE SHALL NOT EXCEED THE MAXIMUM ALLOWABLE LEAKAGE SPECIFIED IN ANMA C600. MINIMUM TEST PRESSURE SHALL BE 150 PSI.
BACTERIOLOGICAL: TWO SAMPLES FOR BACTERIOLOGICAL SAMPLING SHALL BE COLLECTED AT LEAST 24 HOURS APART. IF CONTAMINATION IS INDICATED, THEN THE DISINFECTION PROCEDURE AND TESTING SHALL BE REPEATED UNTIL SATISFACTORY RESULTS ARE OBTAINED.
- THE CHLORINE IN HEAVILY CHLORINATED WATER FLUSHED FROM MAINS NEEDS TO BE NEUTRALIZED BEFORE DISCHARGE. CONTRACTORS MUST PROVIDE EQUIPMENT FOR NEUTRALIZING HEAVILY CHLORINATED WATER FLUSHED FROM MAINS DURING CONSTRUCTION PRIOR TO DISCHARGING THE WATER.
- RESTRAINED JOINT PIPE AND FITTINGS SHALL BE UTILIZED AT ALL WATER LINE STUB-OUTS AND DEAD ENDS FOR A MINIMUM OF 90 FT OR BACK TO THE FAR SIDE OF THE NEAREST VALVE, TEE, OR CROSS, WHICHEVER IS SHORTER, UNLESS ANOTHER DISTANCE IS SPECIFICALLY CALLED OUT ON THE PLANS.
- IT SHOULD BE ASSUMED THAT EVERY FITTING WILL BE REQUIRED TO HAVE RESTRAINED JOINTS UNLESS OTHERWISE NOTED ON THE PLANS. WHERE CONDITIONS ALLOW OR WARRANT, CONCRETE THRUST BLOCKING MAY BE USED AS A SUBSTITUTE FOR RESTRAINED JOINTS OR MAY BE REQUIRED IN ADDITION TO THE RESTRAINT SYSTEM AS DECIDED BY THE DPJ INSPECTOR.
- MONITORING MANHOLES SHALL BE INSTALLED ON ALL SEWER LATERALS WHERE NON-DOMESTIC OR STRONG WASTE WILL POTENTIALLY BE DISCHARGED TO THE PUBLIC SEWER SYSTEM. IF MONITORING MANHOLES ARE NOT PROVIDED WITH THE INITIAL CONSTRUCTION, THE DEPARTMENT OF PUBLIC UTILITIES MAY REQUIRE THAT THE OWNER ADD A MONITORING MANHOLE. AT THE OWNER'S COST, SHOULD THE USE OF THE FACILITY CHANGE, SHOULD THE CHARACTERISTICS OF THE WASTE DISCHARGED BE CHANGED, SHOULD REGULATIONS CHANGE, OR SHOULD THE DEPARTMENT DETERMINE FOR ANY REASON WHAT SO EVER, IN ITS SOLE JUDGMENT, THAT A MONITORING MANHOLE IS NECESSARY TO PROTECT THE CENTRAL SEWER SYSTEM OR TREATMENT FACILITIES.
- SEWER LATERALS SHALL BE NO MORE THAN 8 FEET DEEP AT THE EASEMENT OR PROPERTY LINE UNLESS OTHERWISE SPECIFICALLY SHOWN DEEPER THAN 8 FEET ON THE APPROVED PLANS.

DATE MAY 2004
REV JAN 2011
STANDARD SEWER AND WATER NOTES
DETAIL DES-2
SHT. 1 OF 2

2017 1 2:15 pm
HANOVER COUNTY, VA

Order Plans

SPR-7-17
HTE 17-3000019

US2 of 2