



8-17-17

### GENERAL NOTES

- (A) REFER TO PROJECT MANUAL AND SCOPE OF WORK SCHEDULE FOR ADDITIONAL REQUIREMENTS.
- (B) SHEET METAL AND ROOFING CONSTRUCTION SHALL COMPLY WITH NATIONAL ROOFING CONTRACTORS ASSOCIATION (NRCA) AND SHEET METAL AND AIR CONDITIONING CONTRACTORS NATIONAL ASSOCIATION (SMACNA) DESIGN STANDARDS AND RECOMMENDATIONS.

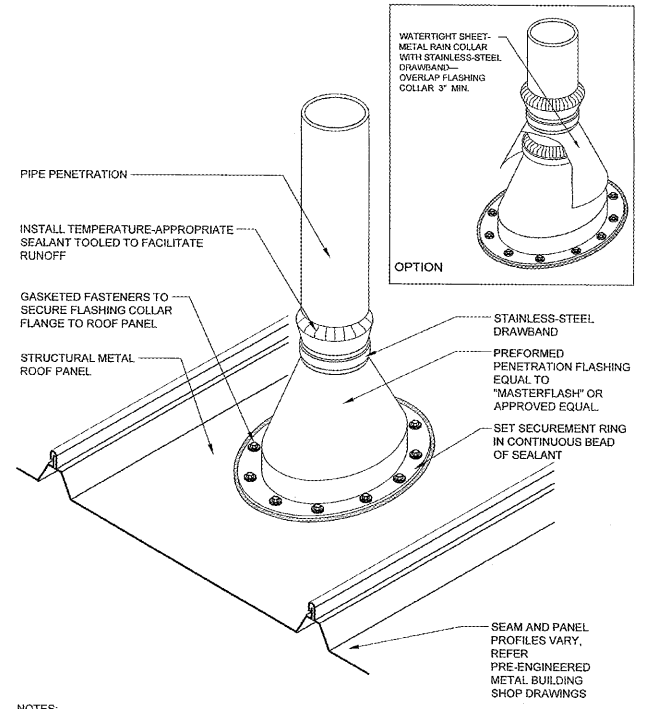
**CRAIG A. SCHNEIDER, AIA**  
**ARCHITECT**  
 1736 East Sunshine, Suite 417  
 Springfield, Missouri 65804  
 417-862-0665  
 Fax: 417-862-3285  
 e-mail: architet@caterischnneider.com

PROJECT:  
**NEW O'REILLY AUTO PARTS STORE**  
**SLIDING HILL PLACE**  
**ASHLAND, VA #2 - ASHLAND MAGISTERIAL DISTRICT**  
**EXTERIOR DETAILS**

**O'Reilly AUTO PARTS**  
 CORPORATE OFFICES  
 233 SOUTH PATTERSON  
 SPRINGFIELD, MISSOURI 65802  
 (417) 862-2674 TELEPHONE

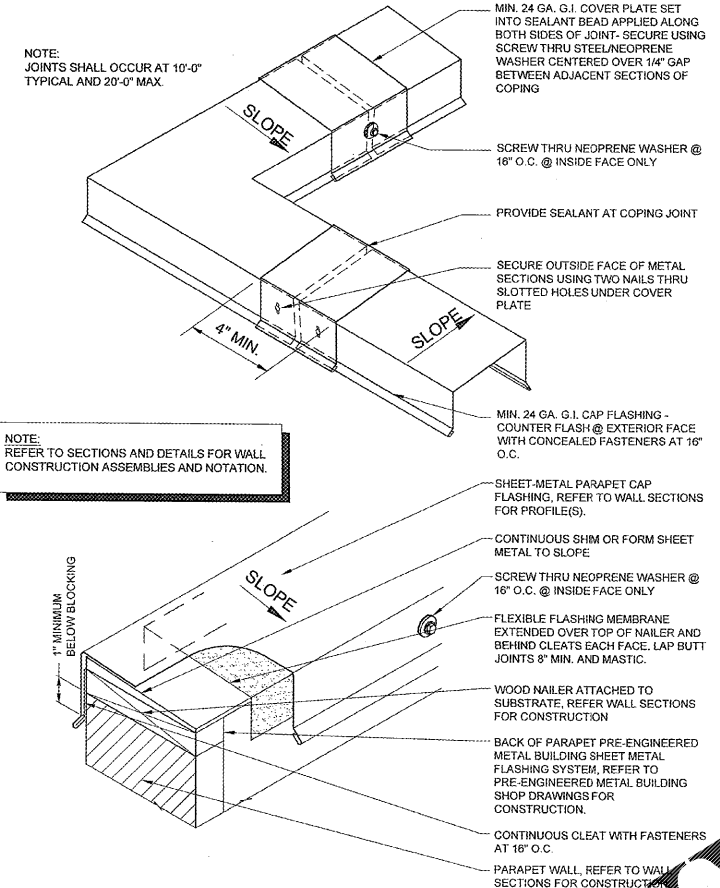
|          |         |
|----------|---------|
| COMM #   | 3993    |
| DATE:    | 2-24-17 |
| REVISION |         |
| DATE:    | 8-16-17 |

A6.1

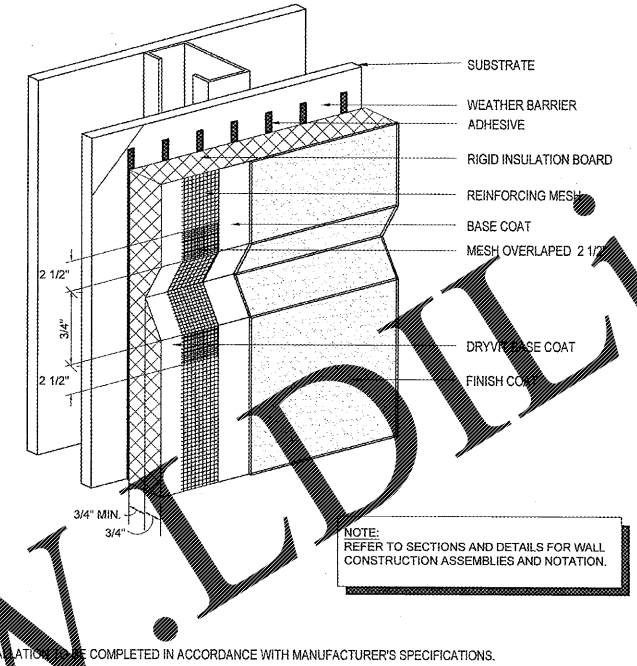


- NOTES:
1. NPMA RECOMMENDS PENETRATIONS SHOULD NOT INTERFERE WITH PANEL SEAMS OR OCCUR AT TRANSVERSE SEAMS.
  2. IF FIELD PANELS OVERLAP AT THE PENETRATION, ATTACHMENT OF THE DOWN SLOPE PANEL ALONG ITS UP SLOPE END MAY BE NECESSARY.
  3. VENT STACKS AND OTHER PIPES SHOULD HAVE ADEQUATE CLEARANCE ON ALL SIDES FROM WALLS AND OTHER PROJECTIONS TO FACILITATE PROPER FLASHING AND PANEL DRAINAGE.
  4. FOR HOT PIPES, SPECIFIC HIGH TEMPERATURE BOOTS SHOULD BE USED.
  5. INSULATION, VAPOR RETARDER AND THERMAL BLOCKS FOR ROOF SYSTEM ARE NOT SHOWN FOR CLARITY.

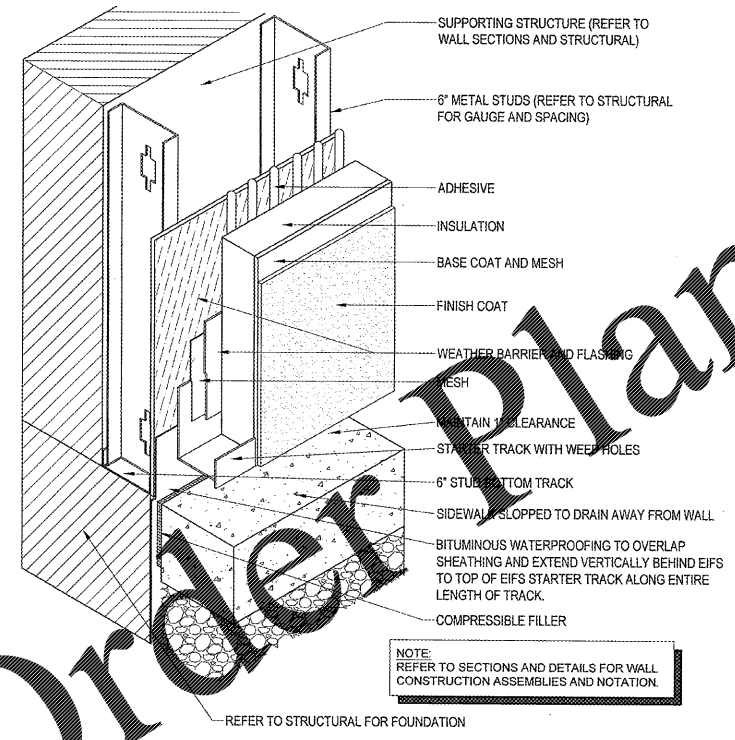
**1 VENT THRU ROOF DETAIL**  
 A6.1 SCALE: N.T.S.



**2 TYPICAL COPING FLASHING DETAIL**  
 A6.1 SCALE: N.T.S.



**3 EIFS DECORATIVE JOINT DETAIL**  
 A6.1 SCALE: N.T.S.



1. INSTALLATION TO BE COMPLETED IN ACCORDANCE WITH MANUFACTURER'S SPECIFICATIONS.

**4 EIFS TERMINATION DETAIL**  
 A6.1 SCALE: N.T.S.

Order Plans @ WWW.WLDLine.com