

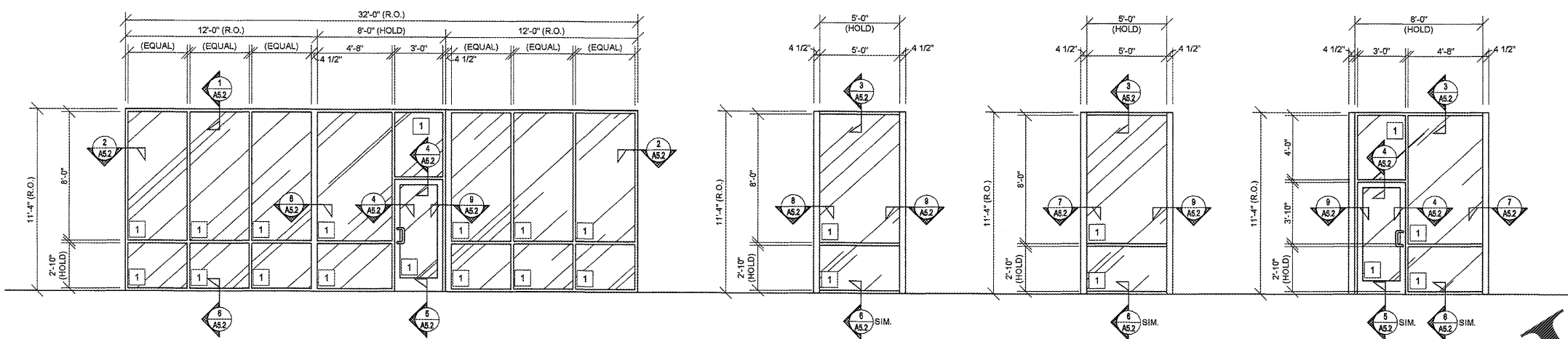
### GENERAL NOTES

- (A) REFER TO PROJECT MANUAL FOR ADDITIONAL REQUIREMENTS.
- (B) REFER TO BUILDING CODE SUMMARY FOR PROJECT STRUCTURAL DESIGN CRITERIA. WINDOW FRAMING AND ANCHORING SYSTEMS SHALL BE DESIGNED BY MANUFACTURER TO CONFORM TO PERFORMANCE AND TESTING REQUIREMENTS SPECIFIED.
- (C) REFER TO FLOOR PLAN, ELEVATIONS, AND SECTIONS FOR ADDITIONAL REQUIREMENTS.
- (D) WINDOW TYPE ELEVATIONS SHOWN VIEWED FROM EXTERIOR SIDE.
- (E) REFER TO EXTERIOR FINISH SCHEDULE FOR ALUMINUM WINDOW FRAMING COLORS. PERIMETER SEALANT COLOR TO MATCH WINDOW FRAMING COLOR UNLESS OTHERWISE NOTED.
- (F) ALL DIMENSIONS TO ROUGH FACE OF FRAMING UNLESS OTHERWISE INDICATED. FIELD WINDOW FOR ROUGH OPENINGS PRIOR TO INSTALLATION.
- (G) REFER TO DOOR AND HARDWARE SCHEDULES FOR ADDITIONAL REQUIREMENTS.
- (H) SECURITY GLAZING MAY BE REQUIRED. CONTACT PROJECT ADMINISTRATOR FOR VERIFICATION (REFER TO SCOPE OF WORK SCHEDULE). PROVIDE ADDITIONAL SUPPORT FRAMING SYSTEM AS REQUIRED.
- (I) WHEN WIND SPEED IS EQUAL TO OR GREATER THAN 120 MPH, A STORM PANEL SYSTEM SHALL BE OWNER FURNISHED AND INSTALLED. CONTACT PROJECT ADMINISTRATOR TO VERIFY AND COORDINATE WITH SYSTEM PROVIDED BY OTHERS. (REFER TO SCOPE OF WORK SCHEDULE). PROVIDE ADDITIONAL SUPPORT FRAMING SYSTEM AS REQUIRED.
- (J) CONTRACTOR'S OPTION TO DIRECT ORDER AND PURCHASE WINDOW FRAMING SYSTEM AND GLAZING FROM THE FOLLOWING SUPPLIER (REFER TO SCOPE OF WORK SCHEDULE):

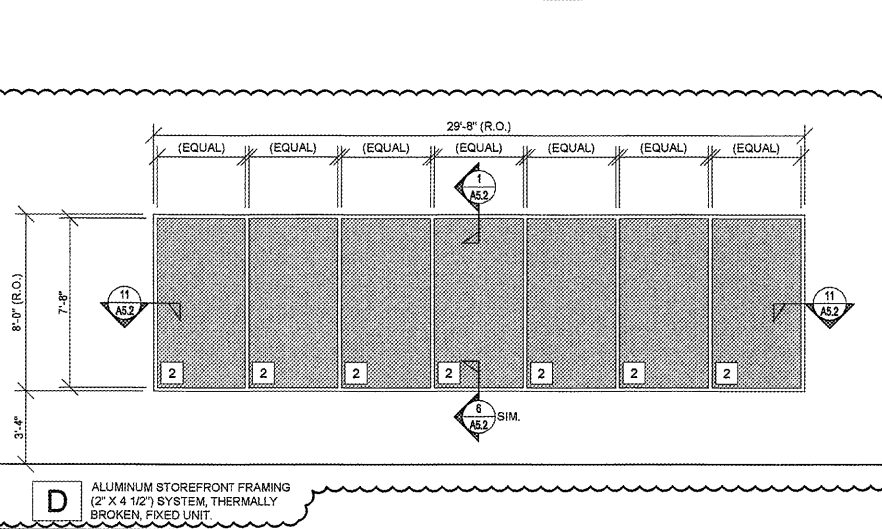
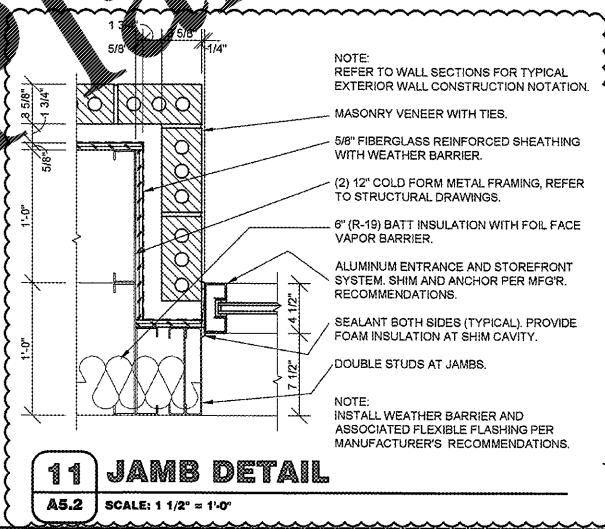
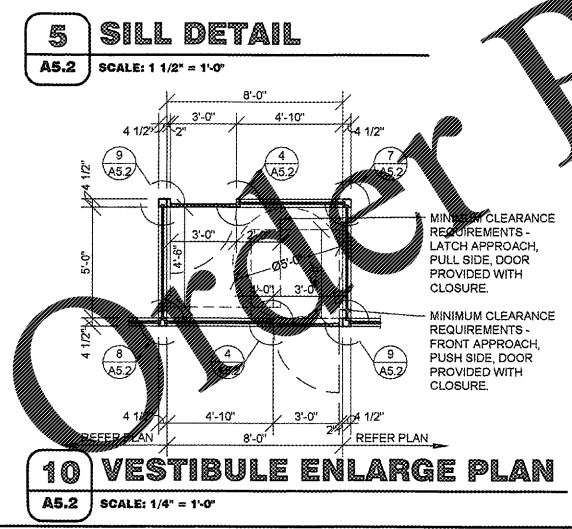
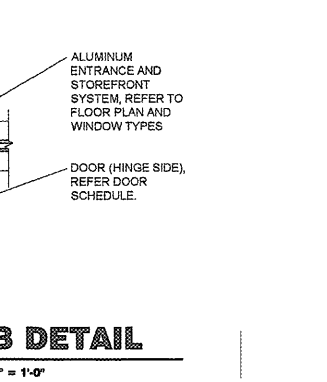
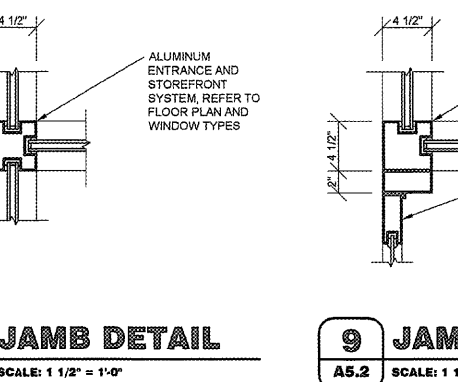
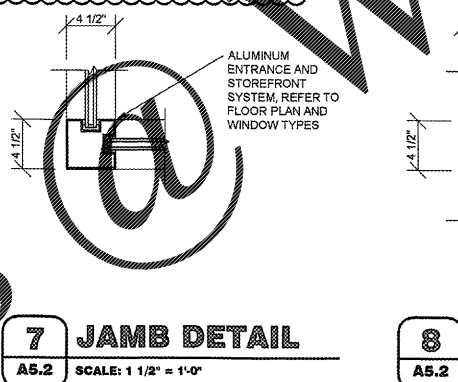
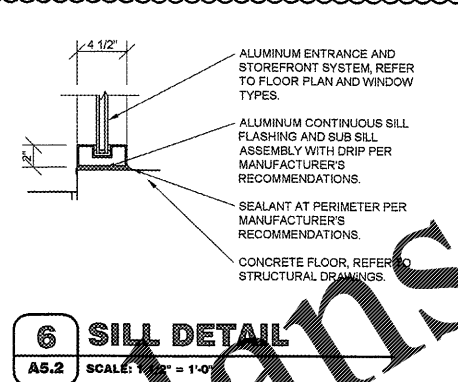
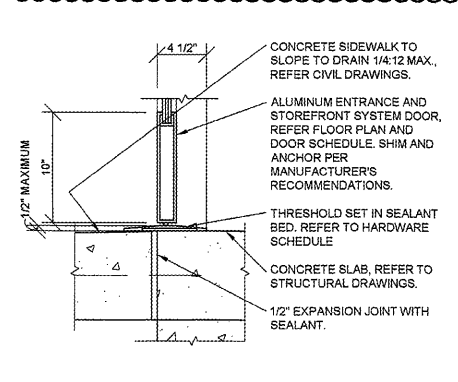
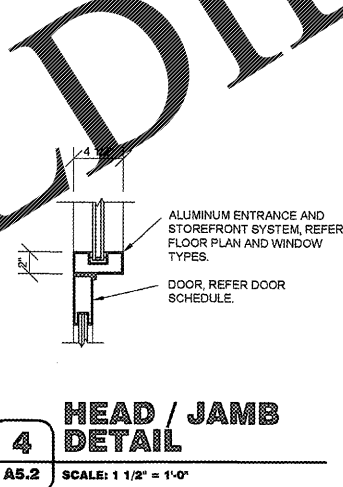
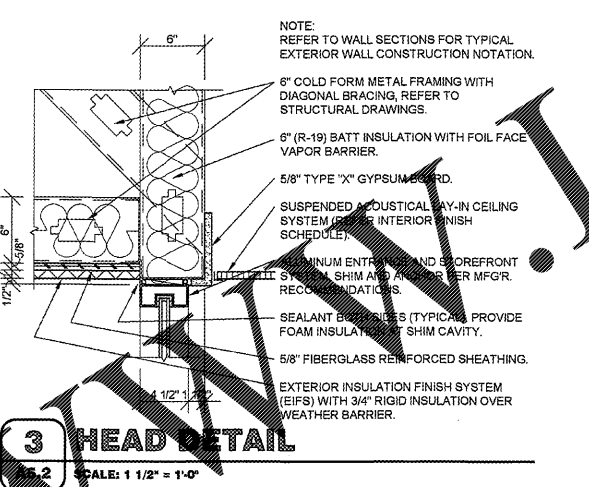
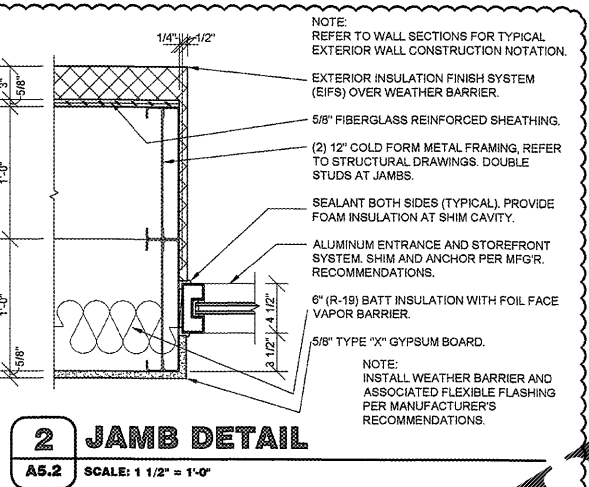
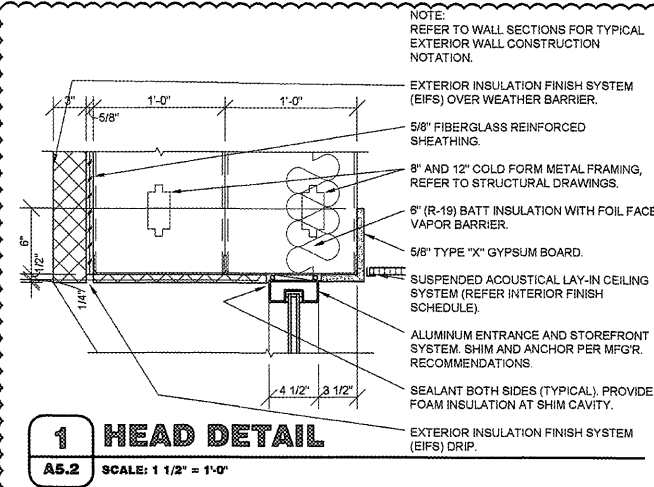
**COULTER & COMPANY**  
 13711 E. 65TH ST. N.  
 OWASSO, OK 74055  
 PHONE: (918) 272-4494  
 FAX: (918) 272-7908  
 EMAIL: CARL@COULTERGLASS.COM  
 CONTACT: CARL YORMAN

### GLAZING SCHEDULE

- 1 1" INSULATED SAFETY GLAZING (1/4" CLEAR EXTERIOR PANE / 1/4" CLEAR INTERIOR PANE) SHADING COEFFICIENT 0.81
- 2 1" INSULATED SAFETY GLAZING (1/4" CLEAR EXTERIOR PANE / 1/4" CLEAR INTERIOR PANE) APPLY TO THE INTERIOR SURFACE OF THE GLAZING SYSTEM 3M NIGHT VISION 15. SECONDLY, APPLY 3M FASARA MILANO OVER THE 3M NIGHT VISION 15. IF YOU HAVE ANY QUESTIONS, CONTACT 3M AT 650-964-1568.



**A** ALUMINUM STOREFRONT FRAMING (2' X 4 1/2") SYSTEM, THERMALLY BROKEN, FIXED UNIT.  
**B1** ALUMINUM STOREFRONT FRAMING (2' X 4 1/2") SYSTEM, THERMALLY BROKEN, FIXED UNIT.  
**B2** ALUMINUM STOREFRONT FRAMING (2' X 4 1/2") SYSTEM, THERMALLY BROKEN, FIXED UNIT.  
**C** ALUMINUM STOREFRONT FRAMING (2' X 4 1/2") SYSTEM, THERMALLY BROKEN, FIXED UNIT.



**Craig A. Schneider, AIA**  
 ARCHITECT  
 1736 East Venetian, Suite 417  
 Springfield, Missouri 65804  
 417.862.0100  
 417.862.3706  
 e-mail: architect@esterjschneider.com

**PROJECT:**  
 NEW O'REILLY AUTO PARTS STORE  
 SLIDING HILL PLACE  
 ASHLAND, VA #2 - ASHLAND MAGISTERIAL DISTRICT  
**WINDOW SCHEDULE**

**O'Reilly AUTO PARTS**  
 CORPORATE OFFICE:  
 233 SOUTH PATTERSON  
 SPRINGFIELD, MISSOURI 65802  
 (417) 862-2674 TELEPHONE

COMM #	3993
DATE:	2-24-17
REVISION	
DATE:	8-16-17
	11-16-17