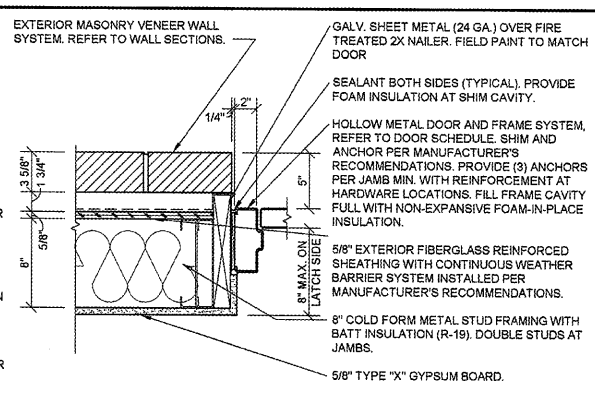


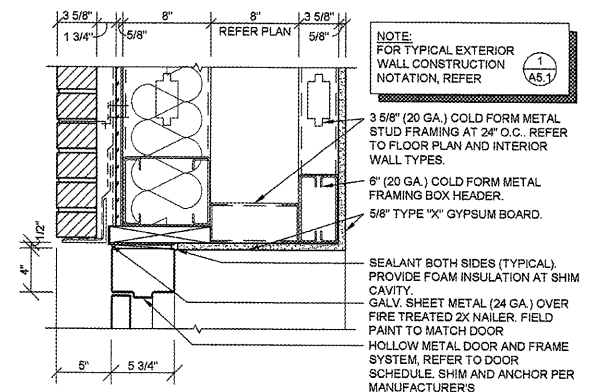
1 HEAD DETAIL

A5.1 SCALE: 1 1/2" = 1'-0"



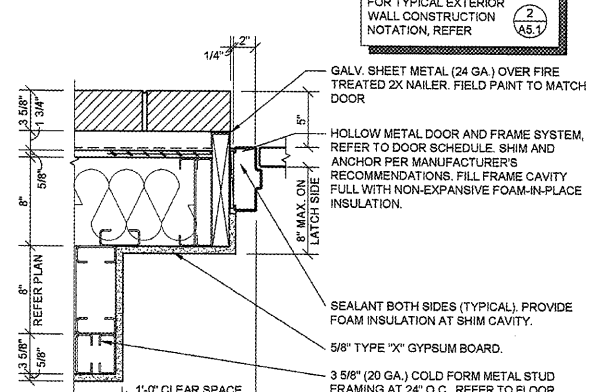
2 JAMB DETAIL

A5.1 SCALE: 1 1/2" = 1'-0"



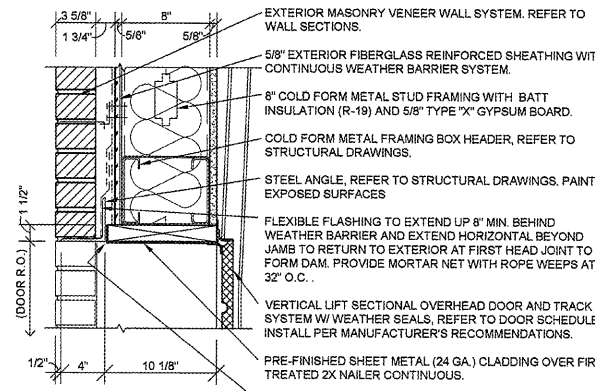
3 HEAD DETAIL

A5.1 SCALE: 1 1/2" = 1'-0"



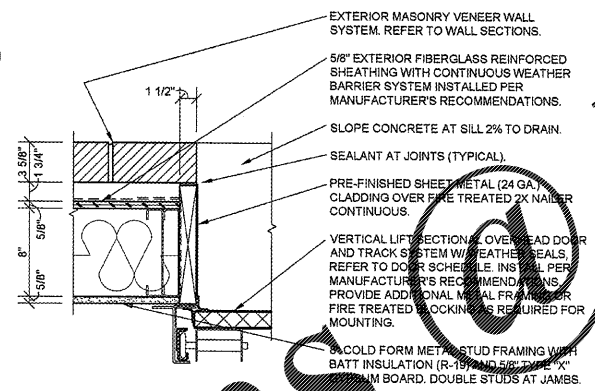
4 JAMB DETAIL

A5.1 SCALE: 1 1/2" = 1'-0"



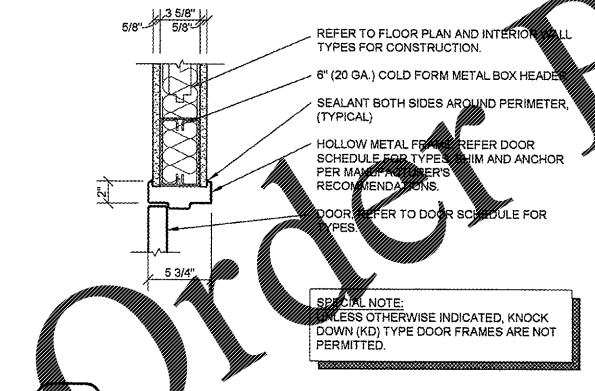
5 HEAD DETAIL

A5.1 SCALE: 1 1/2" = 1'-0"



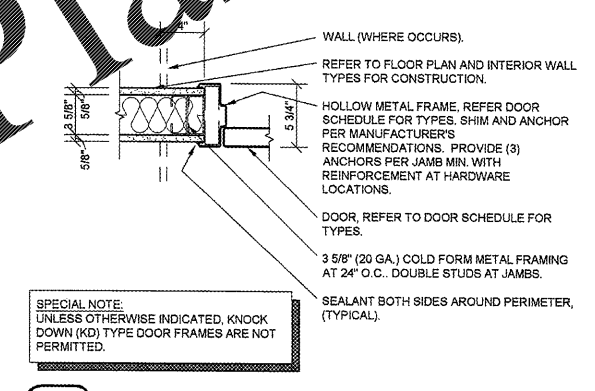
6 JAMB DETAIL

A5.1 SCALE: 1 1/2" = 1'-0"



7 HEAD DETAIL

A5.1 SCALE: 1 1/2" = 1'-0"



8 JAMB DETAIL

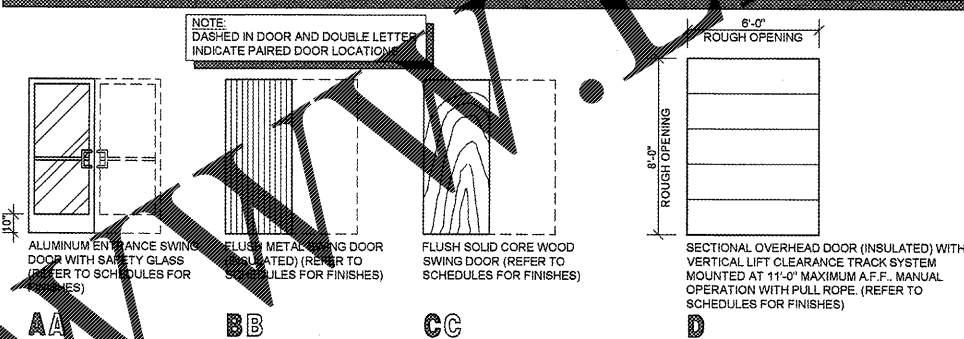
A5.1 SCALE: 1 1/2" = 1'-0"

DOOR SCHEDULE

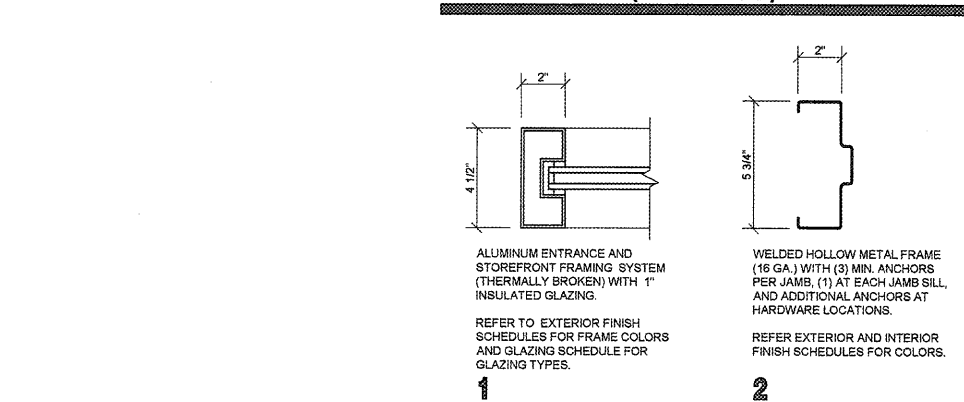
MK	DOOR			DOOR HARDWARE		FRAME		DETAILS			FIRE RATING	REMARKS (REFER NOTES)		
	SIZE (W x H x D)	TYPE	SWING	MATERIAL	GLAZ. TYPE	SET #	KEYED	TYPE	MATERIAL	HEAD WIDTH			HEAD	JAMB
1	3'-0" X 7'-0" X 1-3/4"	A	REFER TO FLOOR PLAN	ALUMINUM	1	1	A	1	ALUMINUM	4/AS.2	4/AS.2	5/AS.2		1, 2
2	3'-0" X 7'-0" X 1-3/4"	B	REFER TO FLOOR PLAN	INSULATED METAL		2	A	2	INSULATED METAL	4"	1/AS.1	2/AS.1	5/AS.2 SIM.	1, 2, 3
3	6'-0" X 8'-0"	D	SECTIONAL OVERHEAD	INSULATED METAL		3			MANUFACTURER'S STANDARDS	5/AS.1	6/AS.1			1
4	3'-0" X 7'-0" X 1-3/4"	C	REFER TO FLOOR PLAN	SOLID WOOD		4		2	HOLLOW METAL	7/AS.1	8/AS.1			1, 4
5	3'-0" X 7'-0" X 1-3/4"	C	REFER TO FLOOR PLAN	SOLID WOOD		5		2	HOLLOW METAL	7/AS.1	8/AS.1			1, 4
6	3'-0" X 7'-0" X 1-3/4"	C	REFER TO FLOOR PLAN	SOLID WOOD		5		2	HOLLOW METAL	7/AS.1	8/AS.1			1, 4
7	3'-0" X 7'-0" X 1-3/4"	B	REFER TO FLOOR PLAN	INSULATED METAL		6		2	INSULATED METAL	4"	3/AS.1	4/AS.1	5/AS.2 SIM.	1, 3
8	3'-0" X 7'-0" X 1-3/4"	A	REFER TO FLOOR PLAN	ALUMINUM	2	7		1	ALUMINUM	4/AS.2	4/AS.2	5/AS.2 SIM.		1

NOTES:
 1. ALL DOORS SHALL BE SHOP PREPARED FOR HARDWARE.
 2. ALL EXTERIOR DOORS TO BE KEYPED ALIKE. CONTRACTOR TO FIELD VERIFY AND MATCH CORE OF DOOR MARKED "Z".
 3. EXTERIOR DOOR, FRAME AND HARDWARE OWNER FURNISHED AND CONTRACTOR INSTALLED. REFER TO SCOPE OF WORK SCHEDULE.
 4. CONTRACTOR'S OPTION TO PURCHASE INTERIOR DOORS, FRAMES, AND HARDWARE THROUGH PREFERRED VENDOR. REFER TO SCOPE OF WORK SCHEDULE.
 5. CONTRACTOR TO FILL HOLLOW METAL FRAME WITH NON-EXPANSIVE FOAM INSULATION EQUAL TO "GREAT STUFF-WINDOW AND DOOR" BY DOW.
LOCKNET
 100 COURTHOUSE DRIVE
 NICHOLASVILLE, KY 40356
 CONTACT: PAM PEELE
 PHONE 600-887-4307 EXT 133
 FAX 859-861-5499
 EMAIL: construction@locknet.com
SPECIAL NOTE:
 UNLESS OTHERWISE INDICATED, KNOCK DOWN (KD) TYPE DOOR FRAMES ARE NOT PERMITTED.

DOOR TYPES
(SCALE 1/4" = 1'-0")



FRAME TYPES
(SCALE 3" = 1'-0")



DOOR HARDWARE SCHEDULE

HARDWARE NOTES:
 1. ALL HARDWARE TO BE ADA AND ANSI COMPLIANT.
 2. VERIFY COMPATIBILITY OF HARDWARE SPECIFIED. NOTIFY ARCHITECT OF INCOMPATIBILITY ISSUES PRIOR TO ORDERING AND INSTALLATION.

SET NO. 1 (DR. 1)
 1 CYLINDER: 20-062 X US26D - "E" KEYWAY (REMOVABLE CORE).....SCHLAGE

(FOLLOWING REQUIRED HARDWARE FURNISHED WITH WINDOW FRAMING DOOR SYSTEM)
 1 PAIR OFFSET PIVOTS: 195/168 X US26D.....RIXON
 1 DEADLOCK: MS1805 X US28.....ADAMS RITE
 1 DEADLOCK LEVER: 4550 X US28.....ADAMS RITE
 1 STRIKE: MS4002 X US28.....ADAMS RITE
 1 SET PUSH/PULLS: 86-151 ULTRALINE W/ OFFSET PULL X US26D.....LCN
 1 CLOSER: 4041-3077-18TJ-TB X AL (ADJ. TO 5 LBS.).....LCN
 1 SET PERIMETER GASKETS: POLYMERIC BULB X LENGTH REQUIRED.....PEMKO
 1 SWEEP: 345AP X LENGTH REQUIRED.....PEMKO
 1 THRESHOLD: 270A X LENGTH REQUIRED (OFFSET PIVOT).....PEMKO (ANSI & ADA COMPLIANT).....PEMKO

SET NO. 2 (DR. 2)
 1 CONTINUOUS HINGE: 20-052 X US26D - LENGTH REQUIRED X US28.....HAGER
 1 CYLINDER: 20-062 X US26D - "E" KEYWAY (REMOVABLE CORE).....SCHLAGE
 1 EXIT PANIC LOCK: 8300B X 486 X 689 - 4R103 X 630 (THROUGH SECT. MOUNTING).....DORMA
 1 CLOSER: 6516DS - COV X 589 X 689 (ADJ. TO 5 LBS.) (THROUGH SECT. MOUNTING).....DORMA
 1 SET PERIMETER GASKETS: JAMBS - KERFED QEBD-500, HEADER - ADHESIVE QDST-675.....SCHLEGEL
 1 LATCH GUARD: LG1002SP X US26D (STRAIGHT W/PIN W/ SEX BOLTS).....LATCHGUARD
 1 DOOR VIEW: 689 - 190 DEGREE WIDE ANGLE X US26D.....HAGER
 1 KICK PLATE: 1906 X 8" X 3/4" X US32D.....HAGER
 1 SWEEP: 345AP X LENGTH REQUIRED.....PEMKO
 1 THRESHOLD: 271A X LENGTH REQUIRED.....PEMKO

SET NO. 3 (DR. 3)
 REQUIRED HARDWARE FURNISHED WITH OVER-HEAD DOOR SYSTEM (LOCKING FROM INSIDE ONLY)
 1 PAIR OFFSET PIVOTS: 195/168 X US26D.....RIXON

SET NO. 4 (DR. 4)
 3 HINGES: BB1279 X 4 1/2" X 4 1/2" X US26D.....HAGER
 1 OFFICE LOCK: AU5307LN X US26D.....YALE
 1 WALL BUMPER: 409 X US26D.....ROCKWOOD

SET NO. 5 (DR. 5, 6)
 3 HINGES: BB1279 X 4 1/2" X 4 1/2" X US26D.....HAGER
 1 PRIVACY LOCK: AU5302LN X US26D.....YALE
 1 WALL BUMPER: 409 X US26D.....ROCKWOOD

SET NO. 6 (DR. 7)
 3 HINGES: ECBB1100 X 4 1/2" X 4 1/2" X US32D X NRP.....HAGER
 1 EXIT ONLY PANIC LOCK: 8300B X 486 X 689.....DORMA
 1 CLOSER: 5300MLT X ALM (ADJ. TO 5 LBS.).....HAGER
 1 SET PERIMETER GASKETS: JAMBS - KERFED QEBD-500, HEADER - ADHESIVE QDST-675.....SCHLEGEL
 1 LATCH GUARD: LG1002SP X US26D (STRAIGHT W/PIN W/ SEX BOLTS).....LATCHGUARD
 1 SWEEP: 345AP X LENGTH REQUIRED.....PEMKO
 1 THRESHOLD: 271A X LENGTH REQUIRED.....PEMKO

SET NO. 7 (DR. 8)
 (FOLLOWING REQUIRED HARDWARE FURNISHED WITH WINDOW FRAMING DOOR SYSTEM)
 1 PAIR OFFSET PIVOTS: 195/168 X US26D.....RIXON
 1 SET PUSH/PULLS: 86-151 ULTRALINE W/ OFFSET PULL X US26D.....EFCO
 1 CLOSER: 4041-3077-18TJ-TB X AL (ADJ. TO 5 LBS.).....LCN
 1 SET PERIMETER GASKETS: POLYMERIC BULB X LENGTH REQUIRED.....PEMKO
 1 SWEEP: 345AP X LENGTH REQUIRED.....PEMKO

GENERAL NOTES

- (A) REFER TO PROJECT MANUAL FOR ADDITIONAL REQUIREMENTS.
- (B) REFER TO BUILDING CODE SUMMARY FOR PROJECT STRUCTURAL DESIGN CRITERIA. DOOR FRAMING AND ANCHORING SYSTEMS SHALL BE DESIGNED BY MANUFACTURER TO CONFORM TO PERFORMANCE AND TESTING REQUIREMENTS SPECIFIED.
- (C) REFER TO FLOOR PLAN, ELEVATIONS, AND SECTIONS FOR ADDITIONAL REQUIREMENTS.
- (D) REFER TO EXTERIOR AND INTERIOR FINISH SCHEDULES FOR COLORS. PERIMETER SEALANT COLOR TO MATCH FRAME COLOR UNLESS OTHERWISE INDICATED.

WALKING PLANS

CRIG A. SCHNEIDER, AIA
ARCHITECT

1736 East Sunshine, Suite 417
Springfield, Missouri 65804
Tel: 417-862-0524
Fax: 417-862-0265
e-mail: architect@entiretyarchitect.com

PROJECT:
NEW O'REILLY AUTO PARTS STORE
SLIDING HILL PLACE
ASHLAND, VA #2 - ASHLAND MAGISTERIAL DISTRICT

O'Reilly AUTO PARTS
CORPORATE OFFICES
233 SOUTH PATTERSON
SPRINGFIELD, MISSOURI 65802
(417) 862-2674 TELEPHONE

COMM # 3993
DATE: 2-24-17
REVISION
DATE: 8-16-17

A5.1