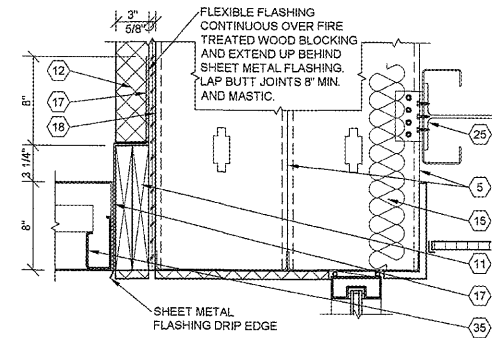
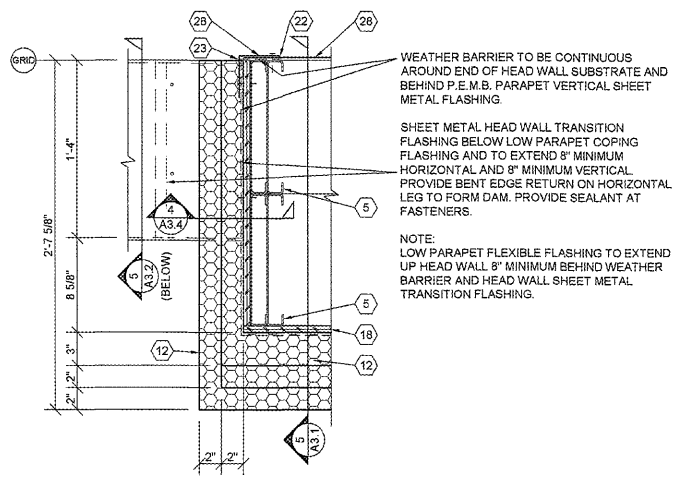


SPECIAL NOTE:  
COORDINATE WIDTH AND HEIGHT OF SUBSTRATE BLOCKING REQUIREMENTS WITH PROTECTIVE COVER SHOP DRAWINGS.

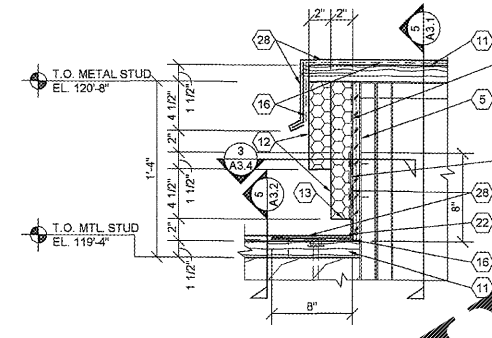
**1 DETAIL**  
A3.4 SCALE: 1 1/2" = 1'-0"



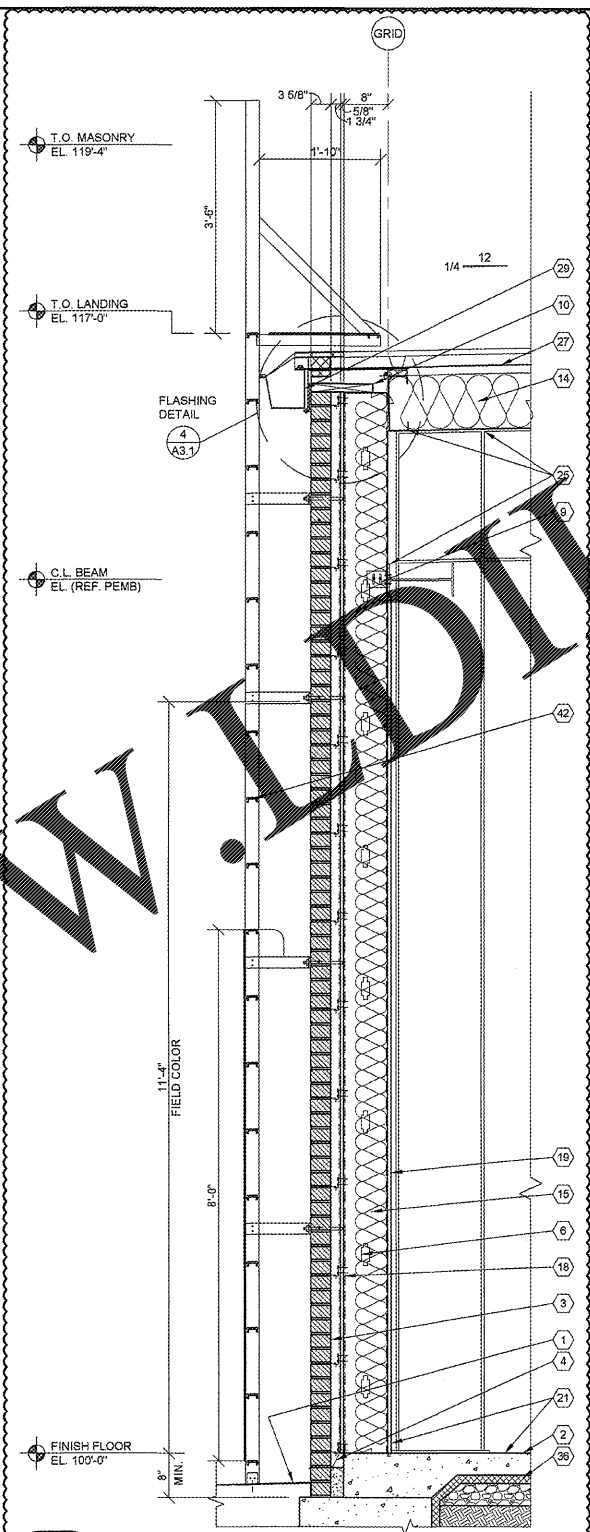
**2 DETAIL**  
A3.4 SCALE: 1 1/2" = 1'-0"



**3 PLAN SECTION**  
A3.4 SCALE: 1 1/2" = 1'-0"



**4 DETAIL**  
A3.4 SCALE: 1 1/2" = 1'-0"



**5 WALL SECTION**  
A3.4 SCALE: 3/4" = 1'-0"

**KEY NOTES**

- 1 FINISH LAWN, PAVEMENT OR SIDEWALK, SLOPE TO DRAIN AWAY FROM BUILDING. REFER TO CIVIL DRAWINGS.
- 2 CONCRETE FLOOR SLAB. REFER TO STRUCTURAL DRAWINGS.
- 3 BRICK MASONRY VENEER IN RUNNING BOND. PROVIDE WALL TIES AT 16" O.C. VERTICAL AND 24" O.C. HORIZONTAL.
- 4 FLEXIBLE FLASHING TO EXTEND UP 8" MIN. AND THROUGH MASONRY VENEER AT FIRST BED JOINT BELOW FINISH FLOOR. LAP BUTT JOINTS 8" MIN. AND MASTIC. PROVIDE MORTAR NET ABOVE FLASHING. PROVIDE ROPE WEEPS AT 32" O.C. GROUT BELOW GRADE CAVITY FULL.
- 5 12" COLD FORM METAL FRAMING. REFER TO STRUCTURAL DRAWINGS.
- 6 8" COLD FORM METAL FRAMING. REFER TO STRUCTURAL DRAWINGS.
- 7 6" (18 GA.) COLD FORM METAL STUD FRAMING AT 24" O.C. ATTACHED TO PRE-ENGINEERED METAL BUILDING STRUCTURAL FRAMING SYSTEM.
- 8 3 5/8" (20 GA.) COLD FORM METAL STUD FRAMING AT 24" O.C. REFER TO INTERIOR WALL TYPES FOR ADDITIONAL REQUIREMENTS.

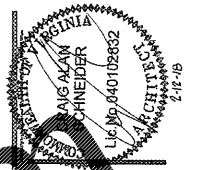
**GENERAL NOTES**

- A REFER TO PROJECT MANUAL AND SCOPE OF WORK SCHEDULE FOR ADDITIONAL REQUIREMENTS.
- B REFER TO CIVIL, STRUCTURAL, MECHANICAL, ELECTRICAL, PLUMBING, AND PRE-ENGINEERED METAL BUILDING (P.E.M.B.) SHOP DRAWINGS FOR ADDITIONAL REQUIREMENTS.
- C REFER TO INTERIOR AND EXTERIOR FINISH SCHEDULES FOR MATERIAL TYPES, COLORS AND FINISHES.
- D DIMENSIONS ARE TO FACE OF CONCRETE, MASONRY, FINISH OR CENTER LINE OF STRUCTURE UNLESS OTHERWISE INDICATED.

**KEY NOTES CONT.**

- 9 COLD FORM METAL STUD FRAMING. REFER TO STRUCTURAL DRAWINGS.
- 10 FIRE TREATED 2X (MIN.) CONTINUOUS OVER ENTIRE WALL WIDTH. ATTACHED TO METAL STUD FRAMING WITH #12 SCREWS AT 24" O.C. STAGGERED.
- 11 FIRE TREATED NAILER OR BLOCKING.
- 12 EXTERIOR INSULATION FINISH SYSTEM (EIFS) OVER RIGID INSULATION. DRAINAGE CHANNEL IN THICKNESS INDICATED.
- 13 EXTERIOR INSULATION FINISH SYSTEM (EIFS) DRIP.
- 14 PRE-ENGINEERED METAL BUILDING ROOF INSULATION (R-36) LINER SYSTEM. (REFER TO SCOPE OF WORK SCHEDULE) VAPOR BARRIER OVER HIGH STRENGTH STEEL SUSPENSION STRAPS ATTACHED TO BOTTOM OF PRE-ENGINEERED METAL BUILDING ROOF PURLINS WITH (1) LAYER 8" (R-25) UN-FACED BATT INSULATION PARALLEL WITH ROOF PURLIN CAVITY AND (1) LAYER 3 1/2" (R-11) UN-FACED BATT INSULATION PERPENDICULAR OVER TOP OF ROOF PURLINS.
- 15 6" (R-19) BATT INSULATION WITH FOIL FACE VAPOR BARRIER.
- 16 FLEXIBLE FLASHING CONTINUOUS TO LAP OVER NAILERS AND DOWN BEHIND CONTINUOUS CLEATS ON BOTH SIDES. LAP JOINTS 8" MINIMUM AND MASTIC.
- 17 SHEET METAL (24 GA.) FLASHING, COUNTER FLASHING, EDGES, DRIPS, TRIM, CLEATS AND ACCESSORIES.
- 18 5/8" EXTERIOR FIBERGLASS REINFORCED SHEATHING WITH CONTINUOUS WEATHER BARRIER. REFER TO STRUCTURAL DRAWINGS FOR ATTACHMENT REQUIREMENTS.
- 19 5/8" TYPE "X" GYPSUM BOARD. REFER TO INTERIOR WALL TYPES FOR ADDITIONAL REQUIREMENTS.
- 20 SUSPENDED ACOUSTICAL LAY-IN CEILING SYSTEM. REFER TO INTERIOR FINISH SCHEDULE FOR TYPES AND LOCATIONS.
- 21 FLOORING AND BASE. REFER TO INTERIOR FINISH SCHEDULE FOR TYPES AND LOCATIONS.
- 22 SEALANT WITH BACKER ROD (WHERE REQUIRED) TYPICAL AT OPENING PERIMETER JOINTS.
- 23 ALUMINUM WINDOW SYSTEM. REFER TO FLOOR PLAN AND WINDOW SCHEDULES FOR TYPES.
- 24 DOOR AND FRAME SYSTEM. REFER TO FLOOR PLAN AND SCHEDULES FOR TYPES.
- 25 PRE-ENGINEERED METAL BUILDING PRIMARY AND SECONDARY STRUCTURAL FRAMING SYSTEMS.
- 26 PRE-ENGINEERED METAL BUILDING TRANSITION SUPPORT PLATE ASSEMBLY.
- 27 PRE-ENGINEERED METAL BUILDING ROOF PANEL SYSTEM WITH THERMAL SPACER BLOCKS (R-5 MIN.).
- 28 PRE-ENGINEERED METAL BUILDING SHEET METAL FLASHING, COUNTER FLASHING, CONTINUOUS CLEATS, DRIPS CLOSURES, TRANSITIONS, COPINGS AND ACCESSORIES AS REQUIRED.
- 29 PRE-ENGINEERED METAL BUILDING GUTTER AND DOWNSPOUT SYSTEM. REFER TO EXTERIOR ELEVATIONS FOR LOCATIONS. REFER TO P.E.M.B. SHOP DRAWINGS FOR SIZES. PROVIDE CONCRETE SPLASH BLOCKS UNLESS OTHERWISE INDICATED.
- 30 SURFACE MOUNTED WALL SIGN, OWNER FURNISHED AND INSTALLED. (REFER TO SCOPE OF WORK SCHEDULE). PROVIDE BACKING AND ELECTRICAL ROUGH-IN. REFER TO ELECTRICAL DRAWINGS.
- 31 RECESSED LIGHTING FIXTURE. REFER TO ELECTRICAL DRAWINGS FOR TYPE AND LOCATION.
- 32 GALVANIZED FLASHING: 26 GA. FLASHING (COLOR TO MATCH STANDING SEAM MTL. ROOF PANELS PANELS.)
- 33 STANDING SEAM MTL. ROOF. SEE ELEVATIONS. OVER 5/8" EXTERIOR FIRE RETARDANT TREATED PLYWOOD - REFER TO STRUCTURAL DRAWINGS.
- 34 4 X 8 X 16 CONCRETE BLOCK WITH TIES AT 16" O.C. VERT. AND 24" O.C. HORIZ. (WHERE CONCEALED)
- 35 PREFABRICATED PROTECTIVE COVER SYSTEM WITH 1" DIA. TENSION RODS, ADJUSTABLE CLEAVES, AND PLATE FABRICATED CONNECTIONS INSTALLED PER MANUFACTURER'S RECOMMENDATIONS (SUBMIT SHOP DRAWINGS). REFER TO EXTERIOR ELEVATIONS FOR LOCATIONS OF TENSION RODS AND COORDINATION WITH SIGNS. REFER TO STRUCTURAL DRAWINGS FOR ADDITIONAL REQUIREMENTS.
- 36 RIGID INSULATION BOARD WHERE INDICATED ON STRUCTURAL DRAWINGS.
- 37 PROVIDE AND INSTALL .032 ALUMINUM SOFFIT SYSTEM EQUAL TO ATAS WIND-LOK SYSTEM SOFFIT. PROVIDE EVERY OTHER PANEL AS VENTED PANELS. COLOR TO BE "SANDSTONE"
- 38 PANEL CONCRETE J-MOLD TO BE ANCHORED TO FIRE TREATED WOOD BLOCKING.
- 39 MECHANICALLY FASTEN CONT. CLEAT AT HOOK SEAM AND INSTALL SEALANT AT JOINT.
- 40 6" METAL STUD FRAMING. REFER TO STRUCTURAL DRAWINGS.
- 41 3-5/8" COLD FORM METAL FRAMING. REFER TO STRUCTURAL DRAWINGS.
- 42 PRE-FABRICATED ALUMINUM ROOF ACCESS LADDER SYSTEM (PAINT) PROVIDE SECURITY PANEL WITH SIDE GUARDS. LADDER TO COMPLY WITH "OSHA" AND "ANSI" REQUIREMENTS. ALL CONNECTIONS TO BE FACTORY WELDED AND FIELD ANCHORED TO WALL AND CONCRETE SLAB CONSTRUCTION PER MANUFACTURER'S RECOMMENDATIONS. TREADS 12" O.C. MAX. WITH 300 LBS MINIMUM DESIGN LOAD. LADDER TO BE 1'-6" MINIMUM CLEAR WIDTH BETWEEN VERTICAL SIDE RAILS PROVIDE 7" MINIMUM CLEARANCE BETWEEN INSIDE FACE OF LADDER AND EXTERIOR WALL ASSEMBLY. SUBMIT SHOP DRAWINGS FOR REVIEW AND APPROVAL.

Order Plans @



**CRAIG A. SCHNEIDER, AIA**  
ARCHITECT  
1736 East Sunrise, Suite 417  
Springfield, Missouri 65804  
Tel: 417.862.3245  
Fax: 417.862.3245  
e-mail: architect@estertyschneider.com

PROJECT:  
**NEW O'REILLY AUTO PARTS STORE**  
SLIDING HILL PLACE  
ASHLAND, VA #2 - ASHLAND MAGISTERIAL DISTRICT  
**WALL SECTION DETAILS**

**O'Reilly AUTO PARTS**  
CORPORATE OFFICES  
1000 N. W. 35th Ave.  
Springfield, Missouri 65802  
(417) 862-2674 TELEPHONE

COMM #	3993
DATE:	11-16-17
REVISION	
DATE:	2-12-18