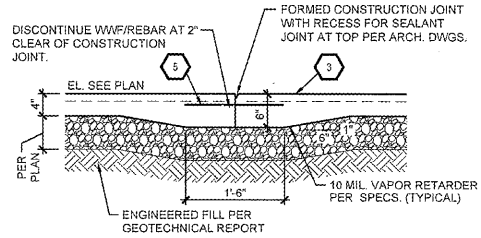
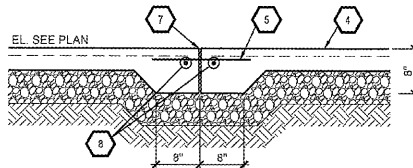


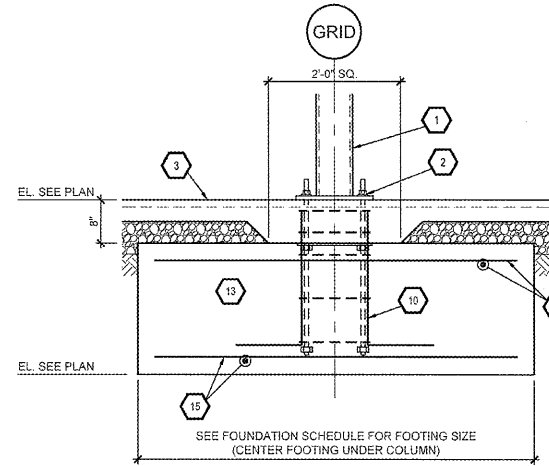
1 TYP. CONTROL JOINT DETAIL
S4 SCALE: 3/4" = 1'-0"



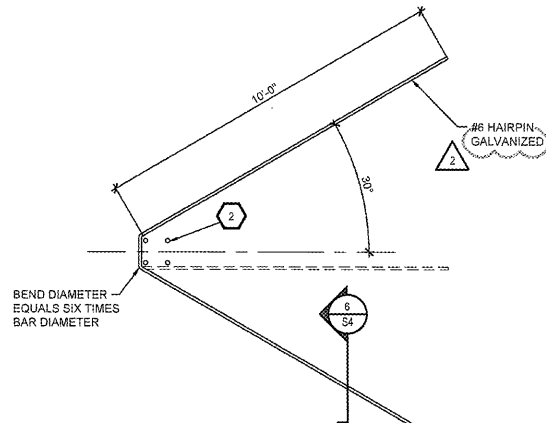
2 TYP. CONSTR. JOINT DETAIL
S4 SCALE: 3/4" = 1'-0"



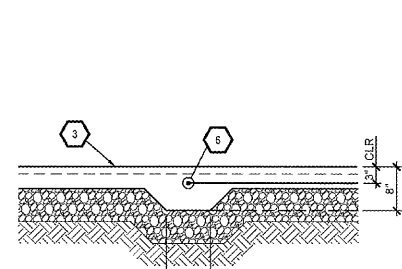
3 SIDEWALK ISOLATION JOINT
S4 SCALE: 3/4" = 1'-0"



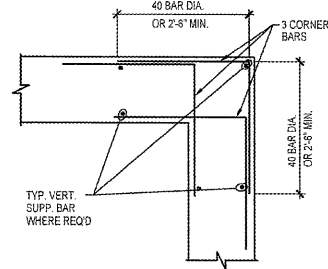
4 SECTION
S4 SCALE: 3/4" = 1'-0"



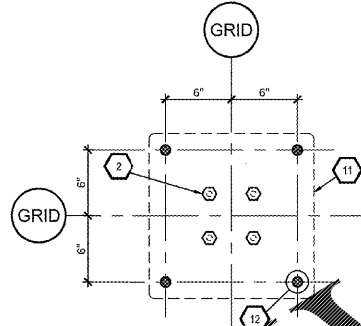
5 TYPICAL HAIRPIN DETAIL
S4 SCALE: 3/4" = 1'-0"



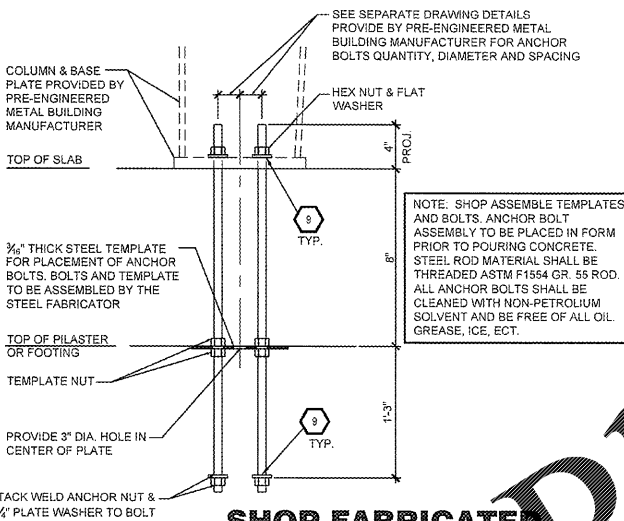
6 SECTION
S4 SCALE: 3/4" = 1'-0"



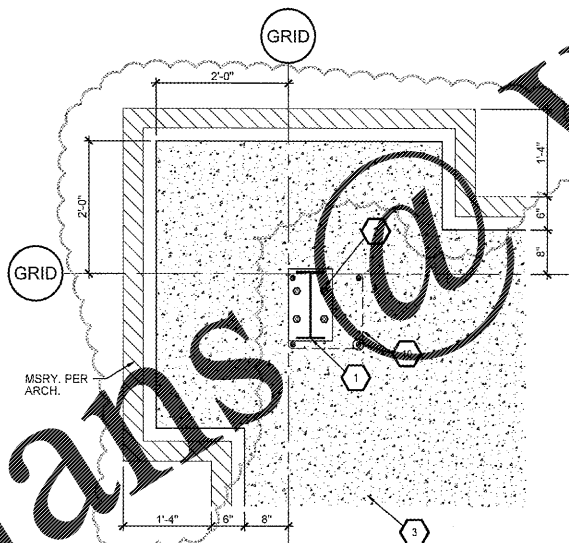
7 SECTION
S4 SCALE: 3/4" = 1'-0"



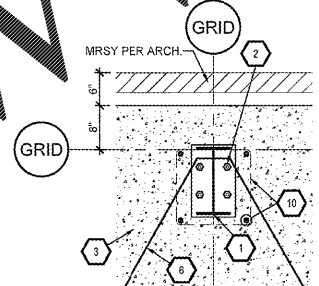
8 SECTION
S4 SCALE: 1 1/2" = 1'-0"



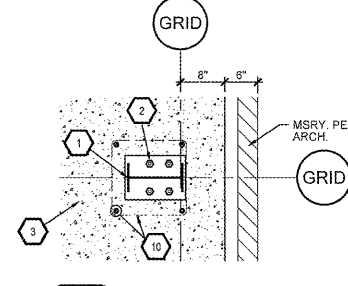
A SHOP FABRICATED ANCHOR ASSEMBLY
S4 SCALE: NONE



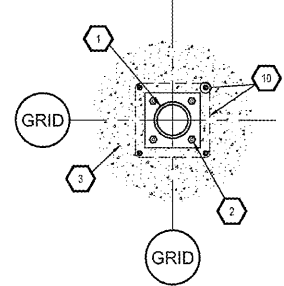
B SECTION
S4 SCALE: 3/4" = 1'-0"



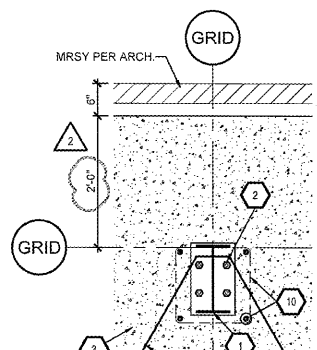
C SECTION
S4 SCALE: 3/4" = 1'-0"



D SECTION
S4 SCALE: 3/4" = 1'-0"



E SECTION
S4 SCALE: 3/4" = 1'-0"



F SECTION
S4 SCALE: 3/4" = 1'-0"

KEYNOTES:

- 1 PRE-ENGINEERED METAL BUILDING STRUCTURAL SYSTEM. SEE P.E.M.B. SHOP DRAWINGS FOR ADDITIONAL INFORMATION.
- 2 ANCHOR BOLTS. SEE FOUNDATION SCHEDULE AND PRE-ENGINEERED METAL BUILDING DRAWINGS FOR SIZE, QUANTITY AND PLAN LOCATIONS. SEE A/S4 FOR TYPICAL SHOP FABRICATED ANCHOR ASSEMBLY.
- 3 INTERIOR CONCRETE SLAB, SEE FOUNDATION PLAN.
- 4 EXTERIOR CONCRETE SLAB OR SIDEWALK, SEE FOUNDATION PLAN.
- 5 1/2" DIA. x 1'-6" SMOOTH DOWELS @ 24" OC, GREASE ONE END TO PREVENT RUST.
- 6 SLAB HAIRPIN, SEE DETAIL 5/S4.
- 7 1/2" ISOLATION JOINT WITH ASPHALTIC FILLER & SEALANT.
- 8 #4 CONTINUOUS
- 9 PROVIDE 1/2" x 2 1/2" x 2 1/2" PLATE WASHER ON ANCHOR BOLTS.
- 10 SEE DETAIL 8/S4 FOR TYPICAL ANCHOR BOLT CONFINEMENT REINFORCEMENT.
- 11 (2) #3 TIES @ 4" DIA. SLAB AND #3 @ 8" OC (MINIMUM OF THREE TIES) IN FOOTING.
- 12 (4) #4 TYPICAL BENT DOWELS @ 24" OC
- 13 PROVIDE 1/2" STANDOFFS TO SUPPORT TOP REBAR IN FOOTING (3 MIN).
- 14 #4 @ 12" OC EACH WAY, TOP. 3" CLEAR COVER EACH END AND ABOVE.
- 15 COLLIER FOOTING REINFORCEMENT, SEE FOUNDATION SCHEDULE.



CRAIG A. SCHNEIDER, AIA
ARCHITECT
1736 East Sunshine, Suite 417
Springfield, Missouri 65804
417.562.3245
417.562.3245
e-mail: architect@estertschneider.com

PROJECT:
NEW O'REILLY AUTO PARTS STORE
SLIDING HILL PLACE
ASHLAND, VA #2 - ASHLAND MAGISTERIAL DISTRICT

O'Reilly AUTO PARTS
CORPORATE OFFICES
231 SOUTH PATTERSON
SPRINGFIELD, MISSOURI 65802
(417) 862-2674 TELEPHONE

COMM #	3993
DATE:	2-24-17
REVISION	
DATE:	8-16-17
	11-16-17

BOB D. CAMPBELL & CO.
Structural Engineers Since 1957
433B Bellevue Ave. 816.531.4144
Kansas City, MO 64111 www.bdc-enr.com