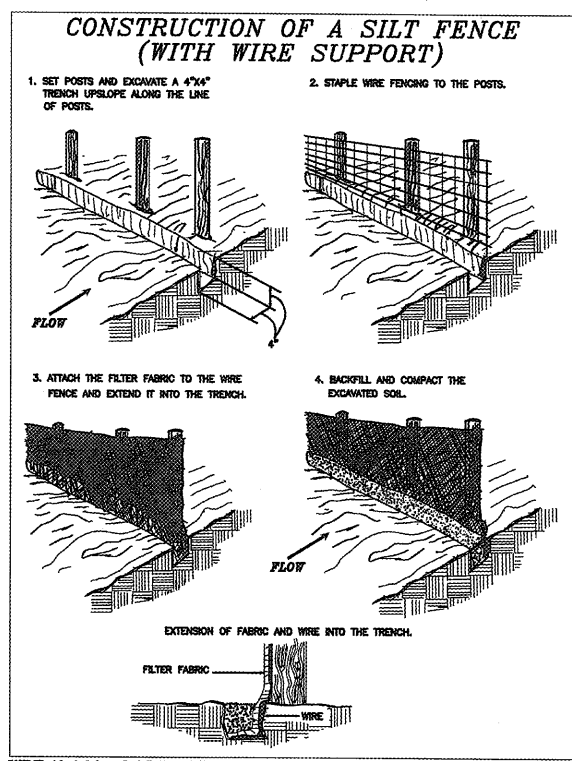


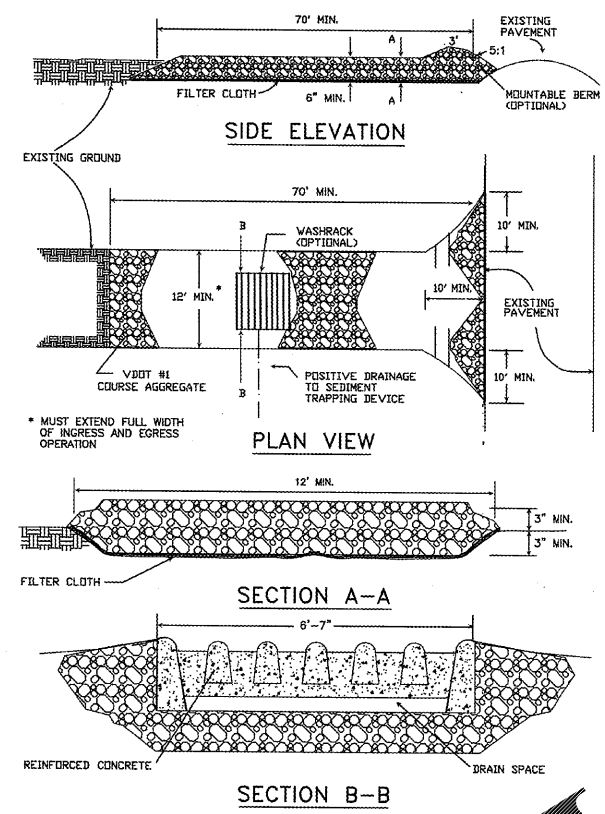
RECEIVED
AUG 15 2017
MISSOURI DEPARTMENT OF TRANSPORTATION
DESIGN DIVISION



SOURCE: Adapted from Installation of Stone and Fabric Filter Barriers for Sediment Control, Revised & Updated. PLATE 3.06-1

1 SILT FENCE DETAIL
C1.4 SCALE: NOT TO SCALE

STONE CONSTRUCTION ENTRANCE



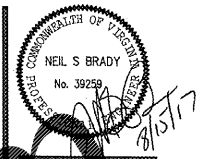
SOURCE: ADAPTED FROM 1983 MARYLAND STANDARDS FOR SOIL EROSION AND SEDIMENT CONTROL, AND VA. DSWC. PLATE 3.02-2

2 STONE CONSTRUCTION ENTRANCE DETAIL
C1.4 SCALE: NOT TO SCALE

RIP-RAP NOTE:
HAND PLACE RIP-RAP IN ALL PLACES AS INDICATED ON THE PLAN. THE STONE FOR RIP-RAP SHALL CONSIST OF FIELD STONE OR ROUGH UNHEWN QUARRY STONE AS NEARLY AS UNIFORM, IN SECTION AS PRACTICAL. THE STONES SHALL BE DENSE, RESISTANT TO THE ACTION OF AIR AND WATER, AND SUITABLE IN ALL ASPECTS FOR THE PURPOSE INTENDED UNLESS OTHERWISE SPECIFIED. ALL STONES USED AS RIP-RAP SHALL WEIGH BETWEEN 30-150 POUNDS EACH, AND AT LEAST 80 PERCENT OF THE STONES SHALL WEIGH MORE THAN 100 POUNDS EACH. STONES SHALL BE A MINIMUM OF 6\"/>



ANDERSON ENGINEERING
EMPLOYEE OWNED
ENGINEERING SURVEYING LABORATORIES • DRILLING
2045 W. WOODLAND • SPRINGFIELD, MISSOURI 65804
PHONE: (417) 862-2741
FAX: (417) 862-2745
WWW.ANDERSONENGINEERING.COM

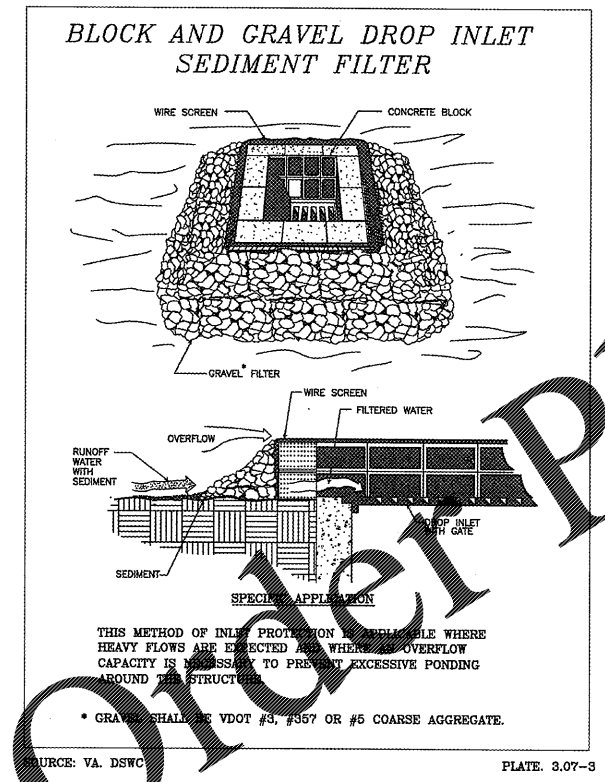


CRAIG A. SCHNEIDER, AIA
ARCHITECT
1736 East Sunshine, Suite 417
Springfield, Missouri 65804
e-mail: arca@csaarchitect.com

PROJECT:
**NEW O'REILLY AUTO PARTS STORE
SLIDING HILL PLACE
ASHLAND, VA #2 - ASHLAND MAGISTERIAL DISTRICT**
EROSION AND SEDIMENT CONTROL DETAILS

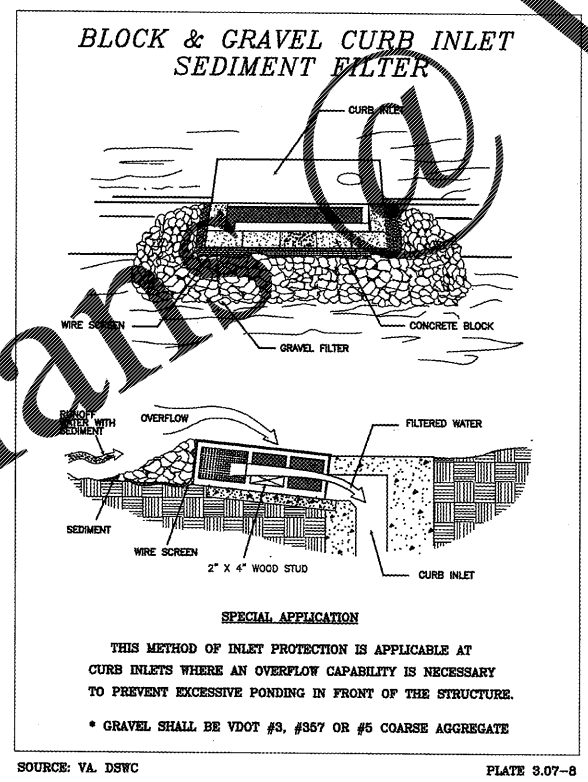
O'Reilly AUTO PARTS
CORPORATE OFFICES
233 SOUTH PATTERSON
SPRINGFIELD, MISSOURI 65802
(417) 862-2674 TELEPHONE

COMM # 3993
DATE: 2-24-17
REVISION
DATE: 8-16-17



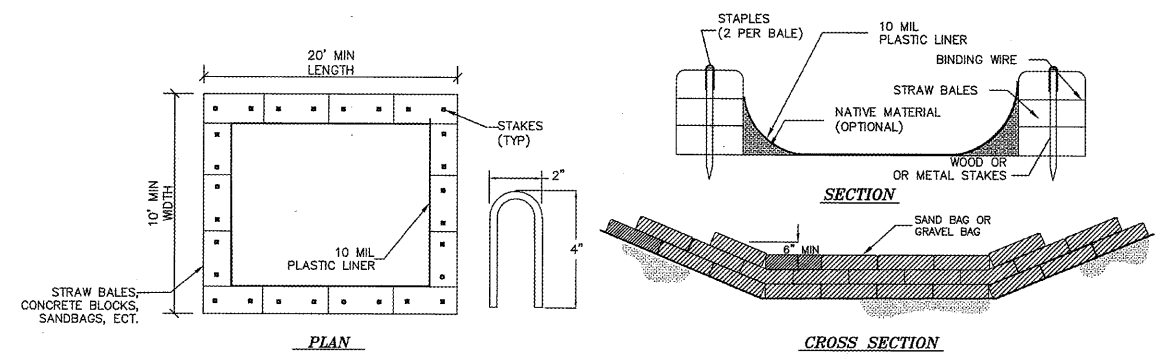
SOURCE: VA. DSWC. PLATE 3.07-3

3 DROP INLET PROTECTION DETAIL
C1.4 SCALE: NOT TO SCALE



SOURCE: VA. DSWC. PLATE 3.07-8

4 CURB INLET PROTECTION DETAIL
C1.4 SCALE: NOT TO SCALE



NOTES:
1. ACTUAL LAYOUT DETERMINED IN FIELD
2. THE CONCRETE WASHOUT SIGN SHALL BE INSTALLED WITHIN 30 FT. OF THE TEMPORARY CONCRETE WASHOUT FACILITY

5 CONCRETE WASHOUT DETAIL
C1.4 SCALE: NOT TO SCALE

DEVELOPER INFO:

O'REILLY AUTOMOTIVE STORES, INC.
233 SOUTH PATTERSON
SPRINGFIELD, MO 65802
PHONE: (417) 868-4248
PHONE: (417) 862-3333

PROJECT ADMINISTRATOR:
ROBERT TURRENTINE
PHONE: (417) 868-4248
FAX: (417) 874-7112

SPR-7-17
HTE 17-3000019

C1.4