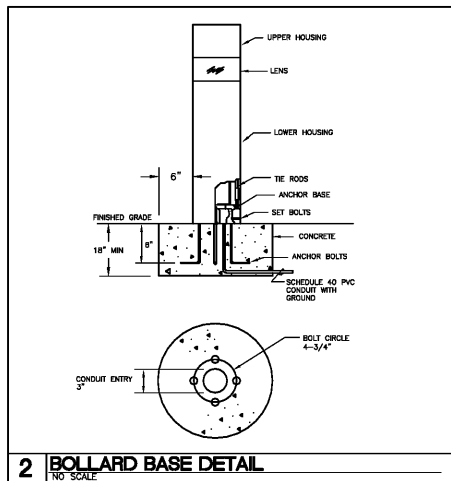


NOTE: EMERGENCY FIXTURES SHALL HAVE "AVAILABLE" POWER AT ALL TIMES.

**1 LIGHTING CONTACTOR DETAIL, W/ TIMER**  
NO SCALE



**2 BOLLARD BASE DETAIL**  
NO SCALE

LIGHT FIXTURE SCHEDULE									
TYPE	DESCRIPTION	LAMP	# OF LAMPS	TOTAL FIXTURE WATTAGE	BALLAST/DRIVER	VOLTAGE	MANUFACTURER	MODEL	REMARKS
WL1	4FT LED WALL LINEAR	LED	LED	60W	INTEGRAL LED DRIVER (STANDARD 0-10V DIMMING)	UNIV	PEERLESS EATON LUMENWERK	SQW410/1415TW5014277 1SE SCT E28 LP840 C032 S124DW-ULO-2-40-0048-1-X-2-DO-X-X-X QUANW-HLO-LED-80-1000 40-4-277-05	UP/DOWN 30/70 BUILT IN OCCUPANCY SENSOR DIM TO 50% 4000K 1300 LUMENS UP/2500 DOWN
STL1	4 FT. LED STRIP	LED	LED	40W	INTEGRAL LED DRIVER (STANDARD 0-10V DIMMING)	UNIV	LITHONIA COLUMBIA CREE COOPER DAY BRITE	E2L2N L46 5000LM MDO MVOLT 80CRI WH LCLF 40 ML E U LS4 R2L 40K 32V SNLED-LD4-46SL-UNV-L840-CD1-U LF 4 FR 30 40 D2T	PROVIDE CHAIN FOR PENDANT MOUNTING 4000 MINIMUM LUMENS LENSED 4000K
RTL1	1x4 LED LAY-IN TROFFER	LED	LED	35W	INTEGRAL LED DRIVER, STEP DIMMING	UNIV	LITHONIA WILLIAMS COOPER	RTL 4 3700LM LP840 LT-14-L47/840-AF-QS-DIM-BD-UNV 14GR-LD4-36-F1-UNV-L840-SD-U	0/50/100% STEP DIMMING 3600 MINIMUM LUMENS, 4000K UL LISTED DAMP LOCATIONS. PROVIDE FLANGE KIT @ GYP CURB
LL	1x4 LED PENDANT LINEAR LED	LED	LED	35W	INTEGRAL LED DRIVER	UNIV	METALLUX LITHONIA WILLIAMS COOPER	HWEL L02-35-SPV-UNV-L840-SD EQUAL EQUAL	0/50/100% STEP DIMMING 3600 MINIMUM LUMENS, 4000K 3600 MINIMUM LUMENS LENSED 4000K
OW1	WALL PACK TRAPEZOID LED	LED	LED	14W	INTEGRAL LED DRIVER	UNIV	LITHONIA HUBBELL JUNO COOPER	WST LED P1 40K VF MVOLT APPROVED EQUAL APPROVED EQUAL APPROVED EQUAL	COLOR CHOSEN BY ARCHITECT 15 100 MINUTE OPERATION, RED TEST SWITCH PROVIDED UL LISTED FOR DAMP LOCATIONS
OBL1	EXTERIOR LED BOLLARD	LED	LED	16W	INTEGRAL LED DRIVER	UNIV	LITHONIA HUBBELL JUNO COOPER	DSXB LED 350 40K ASY M APPROVED EQUAL APPROVED EQUAL APPROVED EQUAL	3000 LUMENS, 4000K COLOR CHOSEN BY ARCHITECT BATTERY BACKUP WHERE SHOWN ON PLAN.
	SPACE								
●	EMERGENCY WALLPACK	6W XENON/LED	2	12W	ELECTRONIC	UNIV	LITHONIA EMERGI-LITE JUNO COOPER PHILIPS	APR 1500 1500 NS SERIES SURE-LITES AEL2 SERIES SV16 SERIES	90 MINUTE NI CAD BATTERY UL LISTED FOR COLD, WET LOCATIONS WIDE THROW
⊗	BATTERY THERMOPLASTIC EXIT SIGN	LED	LED	1W	INTEGRAL LED DRIVER	UNIV	HUBBELL JUNO COOPER PHILIPS	QUANTUM LUMENS WR 120/277 EL N DUAL LITE LX LR WE NAVILLITE NXPSA R WH SURE-LITES LPX 7 CHLORIDE VE	NICKEL CADMIUM BATTERY EXIT SIGN 90 MINUTE OPERATION, RED TEST SWITCH PROVIDED UL LISTED FOR DAMP LOCATIONS
⌋	INTERIOR EMERGENCY BATTERY EGRESS LIGHT	LED	LED	1W	INTEGRAL LED DRIVER	UNIV	LITHONIA HUBBELL JUNO ISOLITE PHILIPS	ELM2 LED DUAL LITE LZ SERIES NAVILLITE NZL PLE LED CHLORIDE VULG	TEST SWITCH PROVIDED SEALED 90 MINUTE BATTERY 20" (ON CENTER) X 6" W DESIGN PATH

LIGHTING FIXTURE SCHEDULE NOTES:

- LAMPS ARE BASED ON OSRAM/PANOS/OSRAM UNLESS OTHERWISE SPECIFIED. ALL FLUORESCENT LAMP PRODUCTS SHALL BE 3500K UNLESS OTHERWISE SPECIFIED. SUBMITTAL SHEETS SHALL BE SUBMITTED WITH FIXTURE SUBMITTALS. FLUORESCENT LAMP AND BALLAST OR DRIVER/DOOR BOARD WARRANTY SHALL BE COMPLETED BY CONTRACTOR AND TURNED OVER TO OWNER AT PROJECT COMPLETION.
- LED DRIVERS SHALL BE PROVIDED FROM PER MANUFACTURER RECOMMENDATION. AS PER MANUFACTURER'S RECOMMENDATION COORDINATE THE REQUIRED WAVE OUTPUT SO THEY ARE COMPATIBLE. THIS INCLUDES EMERGENCY DRIVERS.
- ALL INCANDESCENT LIGHT FIXTURES SHALL HAVE A LABEL INDICATING THAT THE LAMP WATTAGE SPECIFIED ABOVE IS THE MAXIMUM ALLOWABLE IN FIXTURE.
- ALL 3 AND 4 LAMP ELECTRONIC BALLASTS SHALL BE INBOARD/ONBOARD SWITCHING AS INDICATED ON THE DRAWINGS. TANDEM FIXTURES ARE ALLOWED TO FACILITATE INBOARD/OUTBOARD SWITCHING.
- SEE ARCHITECTURAL REFLECTED CELLING PLAN FOR FIXTURE LOCATIONS.
- ALIGN ALL HORIZONTAL FLUORESCENT DOWNLIGHTS WITH THE CORNER OF FLUORESCENT LAMPS ARE ALIGNED IN THE SAME DIRECTION.
- FIXTURES SHALL BE FIRE RATED.
- ALL METAL HALIDE LAMPS SHALL HAVE END OF LIFE SHUTDOWN PROTECTION.
- ALL ELECTRONIC BALLASTS FOR T5 (5/8" DIA) LAMPS AND BALLASTS SHALL HAVE END OF LIFE SHUTDOWN PROTECTION.
- PROVIDE LOW-TEMP (0 degrees F MINIMUM) BALLASTS (DRIVERS) FOR ALL FIXTURES INSTALLED IN EXTERIOR LOCATIONS OR OTHER AREAS SUBJECT TO COLD WEATHER.
- SHOULD ALL FOUR CORNERS WITH WIRE TO STRUTS DO NOT ALLOW GRID ALONE TO SUPPORT FIXTURE.
- FIXTURES WITH EMERGENCY BATTERY PACKS SHALL BE SUPPLIED WITH 1300 LUMEN INVERTERS.
- PROVIDE INTEGRAL SURGE PROTECTION ON ALL EXTERIOR LED DRIVER FIXTURE TYPES.
- DIMMING OF FIXTURES SHALL BE WITH A SWITCH AS RECOMMENDED BY THE BALLAST/DRIVER MANUFACTURER.
- FIXTURES THAT UTILIZE DOUBLE-ENDED LAMPS AND CONTAIN BALLAST(S) THAT CAN BE SERVICED IN A PLACE SHALL HAVE A DISCONNECTING MEANS EITHER INTERNAL OR EXTERNAL TO EACH LUMINAIRE PER NEC 410.130 G.
- ALL METAL HALIDE LAMPS AND BALLASTS SHALL MEET OR EXCEED THE ENERGY INDEPENDENCE AND SECURITY ACT 2007 (EISA) REQUIREMENTS.
- THE CONTRACTOR SHALL VERIFY THE LEAD TIME OF ALL PRODUCTS SPECIFIED IN THIS SCHEDULE AT THE TIME OF PACKAGE QUOTE.
- BEFORE THE START OF PROJECT, THE CONTRACTOR SHALL NOTIFY THE ARCHITECT/ENGINEER OF ANY DELIVERY/SCHEDULING ISSUES.
- NO SUBSTITUTIONS SHALL BE ALLOWED DUE TO LACK OF COORDINATION OF DELIVERY DATES AND CONSTRUCTION SCHEDULE AFTER BID.
- UNEXPECTED DELAYS SHALL BE THE RESPONSIBILITY OF THE CONTRACTOR.
- ALL FIXTURES TO BE INSTALLED IN CEILING, INDICATED ON ARCHITECTURAL PLANS AS HAVING INSULATION IN CONTACT WITH CEILING SURFACE, SHALL BE IC RATED BY MANUFACTURER.
- REQUIRE BY ADVANCE COLOR UNIVERSAL TRIAD ARE ACCEPTABLE FOR SUBMISSION PROVIDED THEY MEET INTENDED CRITERIA AS LISTED IN THIS SCHEDULE.
- LED DRIVERS LOCATED IN UNCONDITIONED SPACES SHALL BE RATED FOR 90 DEGREES F.
- PROVIDE 40 MINUTE EMERGENCY BATTERY BACK UP. EMERGENCY BACK UP SHALL BE BASED ON TYPE OF FIXTURE, LED DRIVER, BALLAST, ETC. EMERGENCY BACKUP SHALL BE DUAL INPUT FOR BOTH SWITCHING AND CHARGING. PROVIDE UNSWITCHED "HOT" FROM LOCAL CIRCUIT UNLESS OTHERWISE INDICATED ON PLANS. PROVIDE WITH INDICATION OF HOT. INSTALL LED INDICATOR ON LIGHT FIXTURE UNLESS DECORATIVE. DECORATIVE FIXTURES SHALL HAVE INDICATOR PLACED AT LOCAL CEILING. BODINE, PHILIPS, POWER ENTRY OR EQUAL.
- PROVIDE EMERGENCY RELAY BASED ON MINIMUM GT02DA OR EQUAL. INDIVIDUAL FIXTURES MAY UTILIZE GTD (NOM 20K.) SEE PLANS FOR INTENT. PROVIDE EMERGENCY GENERATOR/INVERTER CIRCUIT AND SWITCH LEG NORMAL CIRCUIT. SEE DETAIL.
- POLES PROVIDED FOR LED FIXTURES SHALL BE METAL, REGARDLESS OF SPECIFICATION FOR GROUNDING PURPOSES.

Order Plans

memillan@smith.com

optima engineering

WESTERN CAROLINA UNIVERSITY

MOORE HALL GROUND FLOOR RENOVATION

CULLOWHEE, NC

WESTERN CAROLINA UNIVERSITY

MOORE HALL GROUND FLOOR RENOVATION

CULLOWHEE, NC

SHEET TITLE: LIGHT FIXTURE SCHEDULE

SHEET NO: E005

PROJ NO: 017384

AGENCY REVIEW ID: 17-1742-01A

5 OF 10

OPTIMA # 17-0325