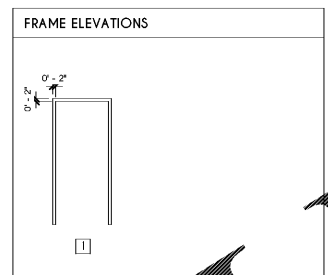
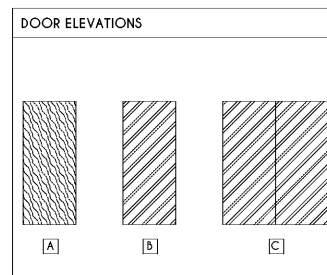
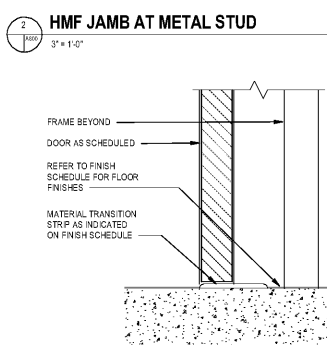
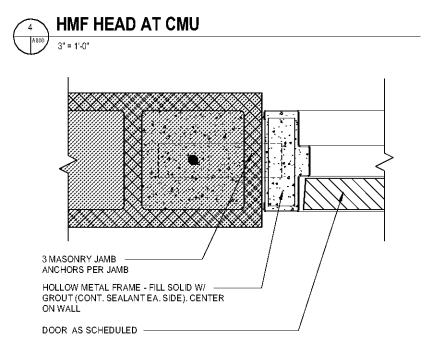
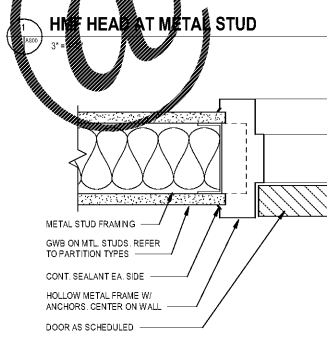
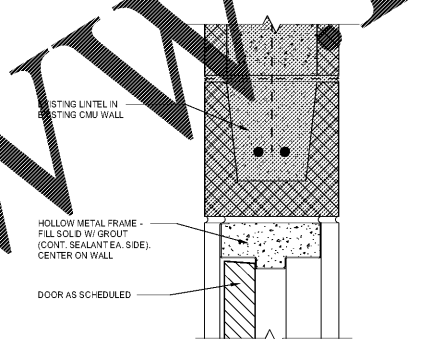
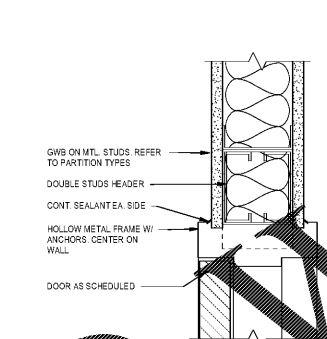


FLOOR	DOOR NO.	ROOM NO.	DOOR					FRAME		DETAILS		REMARKS		
			WIDTH	HEIGHT	THK.	TYPE	RATING	MATERIAL	HARDWARE TYPE	TYPE	MATERIAL		HEAD	JAMB
BASEMENT	100A		3'-0"	7'-0"	D-1 3/4"	B		STEEL	EXT-01	EXST.	-	-	NEW DOOR IN EXISTING HM FRAME	
BASEMENT	100B	100	3'-0"	6'-6"	D-1 3/4"	A	90 MIN	SC WOOD	INT-01	1	HM	1A800	2A800	VERIFY DOOR HEIGHT N FIELD
BASEMENT	101	101	3'-0"	7'-0"	D-1 3/4"	B		STEEL	INT-02	1	HM	4A800	2A800	
BASEMENT	102	102	3'-0"	7'-0"	D-1 3/4"	A	90 MIN	SC WOOD	INT-03	1	HM	1A800	2A800	
BASEMENT	103	102	2'-6"	7'-0"	D-1 3/4"	C		STEEL	INT-04	1	HM	1A800	2A800	
BASEMENT	104	102	3'-0"	7'-0"	D-1 3/4"	A		SC WOOD	INT-05	1	HM	1A800	2A800	
BASEMENT	105	105	3'-0"	7'-0"	D-1 3/4"	A		SC WOOD	INT-06	1	HM	1A800	2A800	
BASEMENT	106	100	3'-0"	7'-0"	D-1 3/4"	A		SC WOOD	INT-08	1	HM	1A800	2A800	
BASEMENT	107	100	3'-0"	7'-0"	D-1 3/4"	A		SC WOOD	INT-07	1	HM	1A800	2A800	
BASEMENT	108	108	3'-0"	7'-0"	D-1 3/4"	A		SC WOOD	INT-07	1	HM	1A800	2A800	
BASEMENT	108A	109	3'-0"	7'-0"	D-1 3/4"	A	90 MIN	SC WOOD	INT-08	1	HM	1A800	2A800	
BASEMENT	108B	109	3'-0"	7'-0"	D-1 3/4"	B	90 MIN	STEEL	INT-09	1	HM	1A800	2A800	
BASEMENT	110	110	3'-0"	7'-0"	D-1 3/4"	B		STEEL	INT-10	EXST.	-	-	NEW DOOR IN EXISTING HM FRAME	
BASEMENT	111		3'-0"	7'-0"	D-1 3/4"	B		STEEL	EXT-01	EXST.	-	-	NEW DOOR IN EXISTING HM FRAME	
BASEMENT	112	112	3'-0"	7'-0"	D-1 3/4"	A		SC WOOD	INT-11	1	HM	1A800	2A800	
BASEMENT	113	113	3'-0"	7'-0"	D-1 3/4"	A		SC WOOD	INT-12	1	HM	1A800	2A800	
BASEMENT	114	114	3'-0"	7'-0"	D-1 3/4"	B	90 MIN	STEEL	INT-13	1	HM	1A800	2A800	
BASEMENT	115	115	3'-0"	7'-0"	D-1 3/4"	A		SC WOOD	INT-07	1	HM	1A800	2A800	

- GENERAL DOOR AND FRAME NOTES
1. UNDERCUT INTERIOR DOORS WITHOUT THRESHOLD 3/4" DOOR UNDERCUT SHALL NOT EXCEED NFPA 80 PART 2-4.5
 2. APPLY PERIMETER SEALANT BOTH SIDES OF ALL FRAMES
 3. FIELD VERIFY ALL EXISTING OPENING DIMENSIONS
 4. ALL EXTERIOR METAL DOORS SHALL BE INSULATED AND WEATHERSTRIPPED
 5. ALL DOORS SHALL BE 1-3/4" THICK
 6. FRAME MANUFACTURER SHALL BE RESPONSIBLE FOR ALL NECESSARY FRAME STRUCTURAL BRACING AND REINFORCING
 7. FILL ALL CONTERSUNK JAMB ANCHORS WITH EPOXY AND SAND SMOOTH TO A SEAMLESS FINISH TO MATCH FRAME FINISH
 8. REFER TO STRUCTURAL DRAWINGS FOR LINTEL INFORMATION



DOOR AND FRAME ELEVATIONS



mcMillan | Adam Smith
ARCHITECTURE

35 Commerce Street, Raleigh, NC 27601
919.833.9098
www.mcmillanadamsmith.com



WESTERN CAROLINA UNIVERSITY
MOORE HALL GROUND FLOOR RENOVATION
CULLOWHEE, NC

SHEET ISSUE NO.	DATE	DESCRIPTION	BY
1	03/07/18	ISSUE FOR BID	AR

PRINCIPAL IN CHARGE: RS
PROJECT ARCHITECT: LR
DRAWN BY: AR

SHEET TITLE: DOOR SCHEDULE

SHEET NO. A800
PROJ. NO. 017384
AGENCY REVIEW D. 17-1742-G1A

Order Plans

WWW.DILine.com