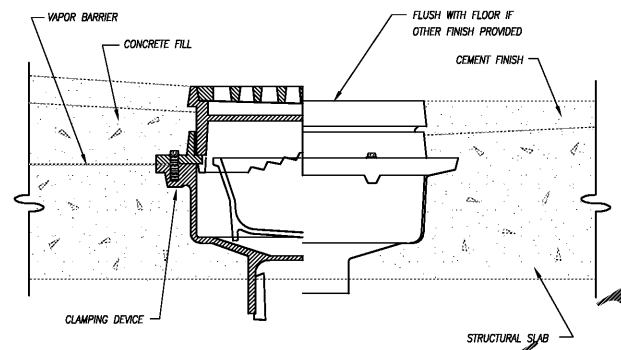
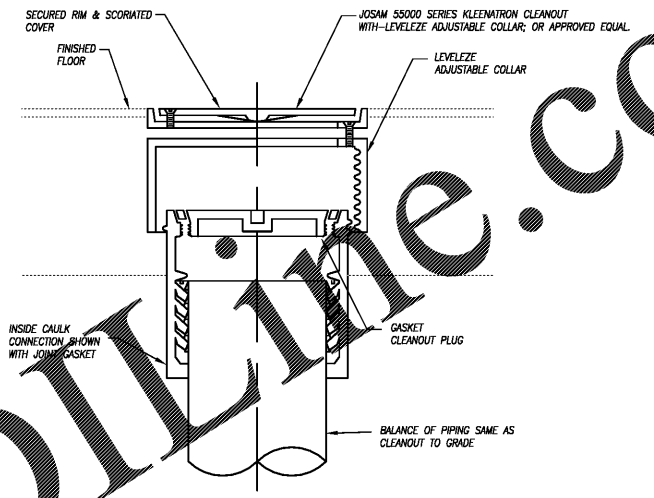


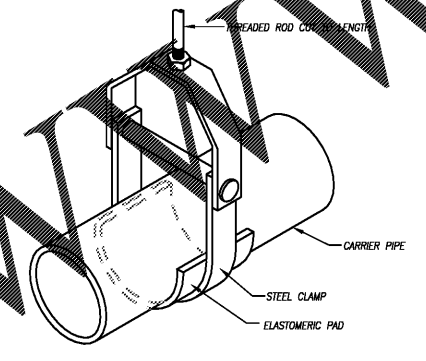
4 ELECTRIC WATER HEATER DETAIL
 P401 SCALE: NOT TO SCALE



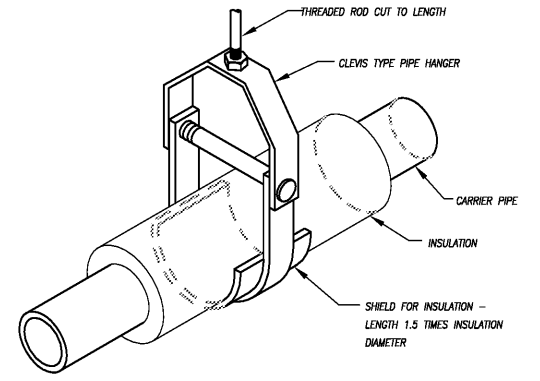
2 TYPICAL FLOOR DRAIN DETAIL
 P401 SCALE: NOT TO SCALE



3 FLOOR CLEANOUT DETAIL
 P401 SCALE: NOT TO SCALE



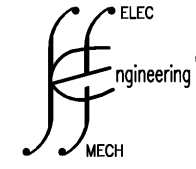
5 CLEVIS TYPE PIPE SUPPORT
 P401 SCALE: NOT TO SCALE



6 CLEVIS TYPE PIPE SUPPORT FOR INSULATED PIPE
 P401 SCALE: NOT TO SCALE

KEMSTUDIO
 1515 GENESSEE ST SUITE 11 KANSAS CITY MO 64102
 816 756 1808 f 816 756 1828

kemstudio.com



S & S ENGINEERING, INC.
 10551 Berkley, Suite 601
 Overland Park, Kansas 66212
 Ph: 913-754-3673
 Fx: 913-754-3674
 E-mail: corporate@ss-engr.com
 Web: www.ss-engr.com

PORT KC OFFICES

1000 BERKLEY PARKWAY - SPACE E177
 KANSAS CITY, MO 64108
 PROJECT NUMBER: A1718



ISSUED FOR:	DATE:
95% CDS	12.22.2017
Permit Set	01.12.2018

**PLUMBING
 DETAILS
 P401**