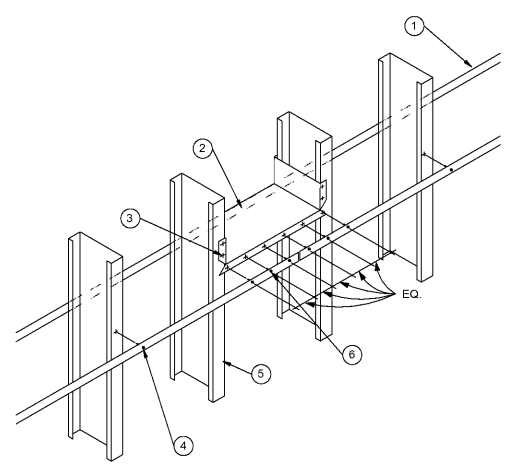


16 15 14 13 12 11 10 9 8 7 6 5 4 3 2 1

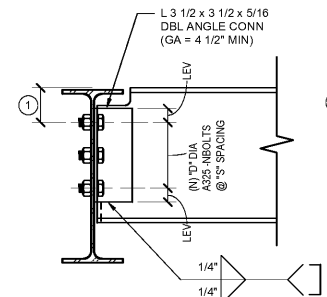


- NOTES:**
- 1-1/2" GA. STRAPPING ON EACH SIDE OF MEMBER (STRAPPING TO START END AND SPLICE AT SOLID BLOCKING)
  - MIN. 18 GA RUNNER TRACK SOLID BLOCKING @ 10'-0" O.C. MAX. MAKE RUNNER TRACK 8" LONGER THAN MEMBER INSIDE SPACING. CLIP FLANGES OF TRACK 4" FROM EACH END. BEND TRACK AT CLIPPED FLANGES.
  - ATTACH BLOCKING TO MEMBERS WITH (2) # 10-16 SCREWS IN EACH FLANGE AS SHOWN
  - (1) #10-16 SCREW IN EACH STUD FLANGE
  - TYP. COLD FORMED MEMBER
  - USE (6) # 10-16 SCREWS ON EACH SIDE OF BLOCKING.

**BLOCKING NOTE**  
PLACE SOLID BLOCKING AT ENDS OF WALL OR FLOOR SYSTEM, ADJACENT TO OPENINGS, AND AT 10'-0" OC MAX.

DETAIL ADAPTED FROM CLARK WESTERN STANDARD DETAILS

**E15 CF-003 STRAP BLOCKING**  
3/4" = 1'-0"

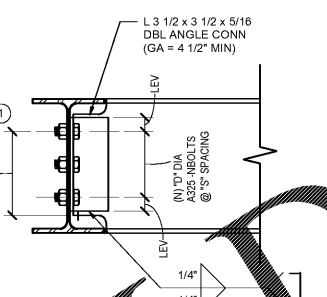


- NOTES:**
- 3" DIM. TYP. EXCEPT AS RECOMMENDED BY AISC FOR W8 & SMALLER BEAMS OR FOR LARGER BEAMS.

**VARIABLES:**  
Lev = 1 1/2"  
D = 3/4"  
N = PER TABLE  
S = 3"

BEAM	N	V-ALLOW (K)
W8, W10	2	25.8
W12, W14	3	38.4
W16	4	55.0
W18	5	76.5
W21, W24	6	97.0

**E11 ST-210 TYP. DOUBLE ANGLE CONN. OPTION 2**  
1 1/2" = 1'-0"

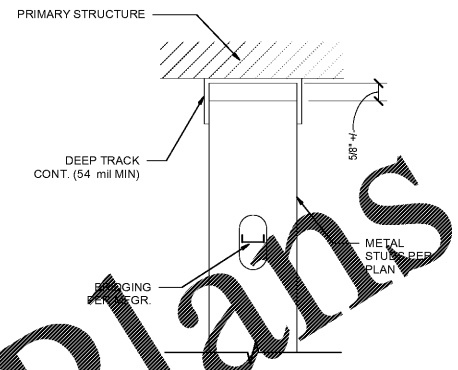


- NOTES:**
- 3" DIM. TYP. EXCEPT AS RECOMMENDED BY AISC FOR W8 & SMALLER BEAMS OR FOR LARGER BEAMS.
  - FACE OF BEAM WEB, COL. FLG., OR COL WEB

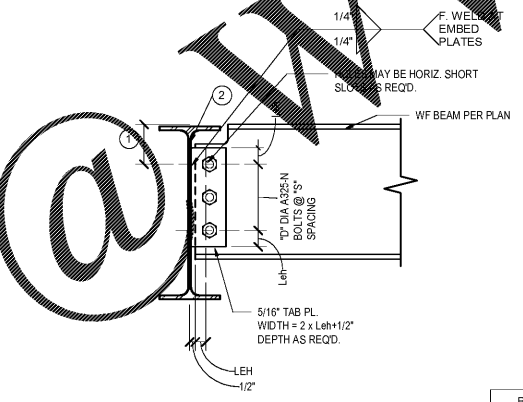
**VARIABLES:**  
Lev = 1 1/2"  
D = 3/4"  
N = PER TABLE  
S = 3"

BEAM	N	V-ALLOW (K)
W8, W10	2	25.8
W12, W14	3	38.4
W16	4	55.0
W18	5	76.5
W21, W24	6	97.0

**E5 ST-005 DOUBLE ANGLE CONN**  
1 1/2" = 1'-0"



**A15 CF-002 TOP SLIP CONN**  
1" = 1'-0"

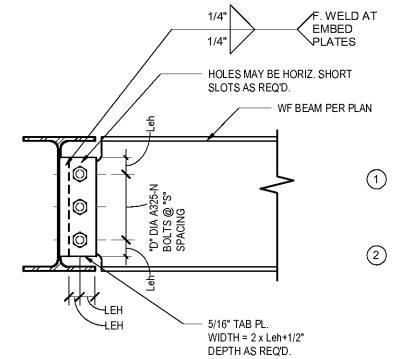


- NOTES:**
- 3" DIM. TYP. EXCEPT AS RECOMMENDED BY AISC FOR W8 & SMALLER BEAMS OR FOR LARGER BEAMS.
  - FACE OF BEAM WEB, COL. FLG., COL. WEB, OR EMBED PLATE.

**VARIABLES:**  
Lev = 1 1/2"  
Leh = 1 1/2"  
D = 3/4"  
N = PER TABLE  
S = 3"

BEAM	N	V-ALLOW (K)
W8, W10	2	12.6
W12, W14	3	22.4
W16	4	33.0
W18	5	41.3
W21, W24	6	52.8

**A11 ST-211 TYP. SHEAR TAB CONN. OPTION 1**  
1 1/2" = 1'-0"



- NOTES:**
- 3" DIM. TYP. EXCEPT AS RECOMMENDED BY AISC FOR W8 & SMALLER BEAMS OR FOR LARGER BEAMS.
  - FACE OF BEAM WEB, COL. FLG., COL. WEB, OR EMBED PLATE.

**VARIABLES:**  
Lev = 1 1/2"  
Leh = 1 1/2"  
D = 3/4"  
N = PER TABLE  
S = 3"

BEAM	N	V-ALLOW (K)
W8, W10	2	12.6
W12, W14	3	22.4
W16	4	33.0
W18	5	41.3
W21, W24	6	52.8

**A5 ST-004 - TYP SHEAR TAB CONN**  
1 1/2" = 1'-0"

**KEMSTUDIO**  
1515 GENESEE ST SUITE 11 KANSAS CITY MO 64102  
816 756 1808 f 816 756 1828

**Stand Structural Engineering Inc**  
8234 Robinson Street  
Overland Park, KS 66210  
(913)214-2169  
www.stand-se.com

**RELATED DOCUMENTS:** This Drawing may be part of an integrated set of Construction Documents, including the executed Agreement, the General and Supplemental Conditions of the Contract, Division-01 "General Requirements", and applicable "Technical Specification Sections". The Contract Documents are complementary; what is required by one is as binding as if required by all. Other documents affecting the Work may include Geotechnical recommendations, Manufacturer's Product Data and installation requirements, Shop Drawings and Coordination Drawings. Failure to review applicable documents does not reduce the obligation to provide complete and operational building components.

**VERIFY EXISTING CONDITIONS AND DIMENSIONS** prior to construction. Calculate and measure dimensions - DO NOT SCALE THE DRAWINGS unless so directed by the Architect. Dimensions indicated are to the face of a material unless otherwise indicated. Application of a material or equipment item to Work installed by others constitutes acceptance of that Work, and assumption of responsibility for subsequent satisfactory installation.

**THIS DRAWING WAS PREPARED** under the Engineer's supervision, and is an "Instrument of Service" intended solely for use on this Project. The Engineer's Services are performed solely in the interest of the Client; no obligation is assumed by the Engineer for the benefit of any other entity involved in the Construction Work. The information, ideas and designs indicated - including the overall form, arrangement and composition of spaces or building elements - constitutes the original, confidential, and unpublished Work and property of the Engineer. Possession of this Drawing confers no right or license to disclose to others the subject matter contained herein for any but authorized purposes. Unauthorized use, reproduction or distribution - in whole or in part - is strictly prohibited. Copyright © 2018 by Stand Structural Eng. Inc.

**PORT KC OFFICES**  
1000 BERKLEY PARKWAY - SPACE E177  
KANSAS CITY, MO 64106  
PROJECT NUMBER: A1118

**SEAL**  
Professional Engineer  
State of Missouri  
No. 202842  
Exp. 08/31/2024  
01/12/2018

**ISSUED FOR:**  
95% CDS 12.22.2017  
PERMIT SET 01.12.2018

**STEEL TYPICAL DETAILS**  
**S050**