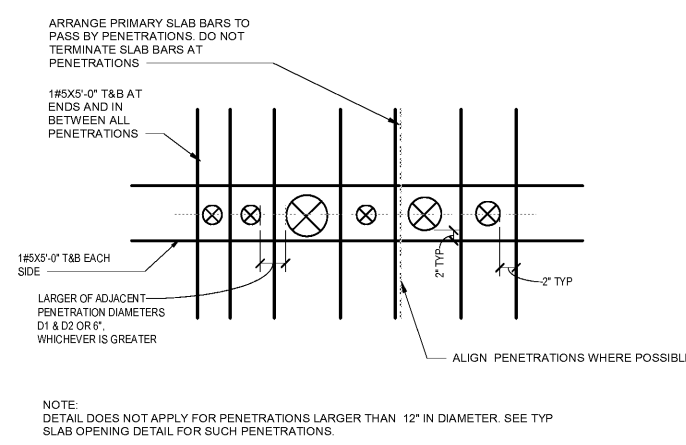
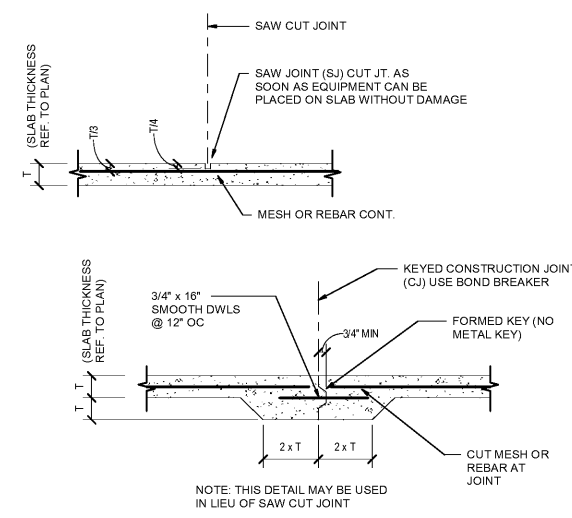


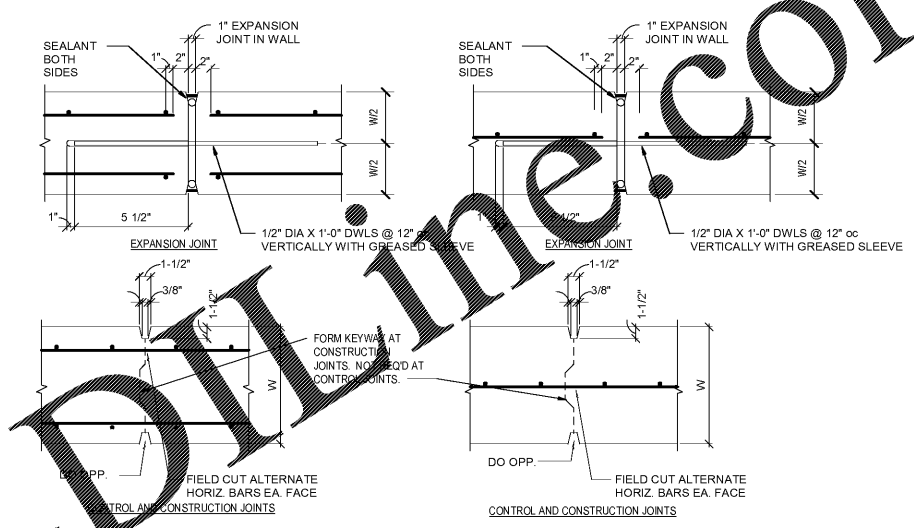
16 15 14 13 12 11 10 9 8 7 6 5 4 3 2 1



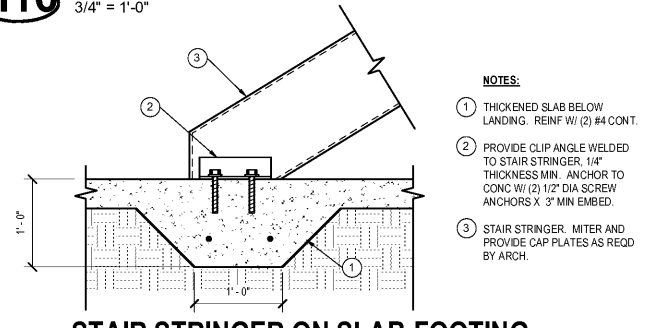
H16 TYP REINF AT SLAB PENETRATIONS
3/4" = 1'-0"



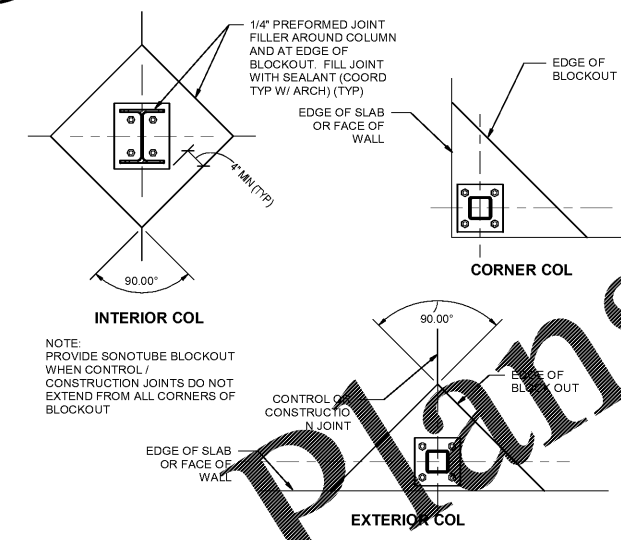
H11 RC-001A - TYP SOG CONTROL JOINTS
3/4" = 1'-0"



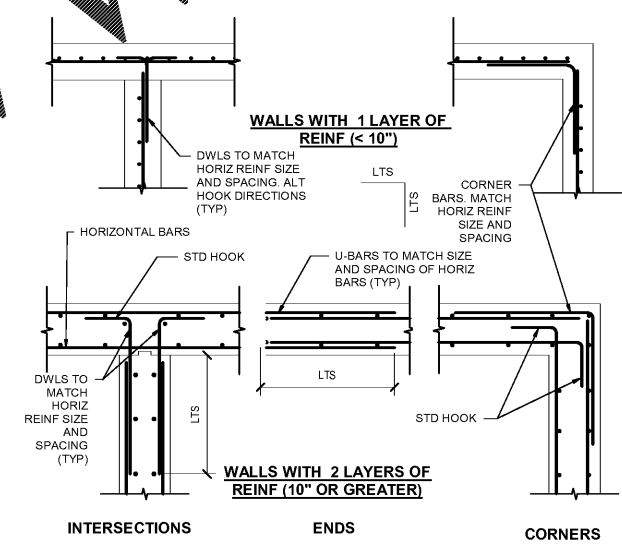
H6 RC-002 CONC WALL JOINTS
1/2" = 1'-0"



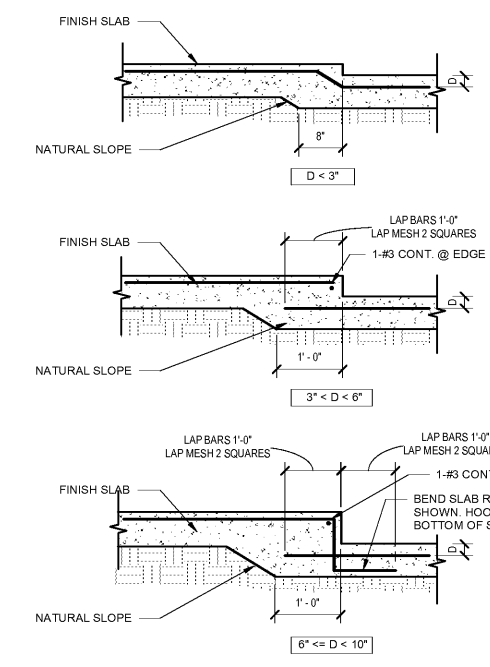
E16 STAIR STRINGER ON SLAB-FOOTING
1" = 1'-0"



A16 RC-001B, SOG JOINTS AT COLS
3/4" = 1'-0"



A10 RC-003 CONC WALL CORNERS
1/2" = 1'-0"



A5 TYP SLAB ON GRADE FLOOR DEPRESSION
3/4" = 1'-0"

NOTES:
1. COORDINATE DEPTH AND LOCATION OF ALL FLOOR DEPRESSIONS WITH ARCHITECTURAL DRAWINGS.
2. PROVIDE 1#4X4'-0" TOP AT INTERIOR CORNERS OF ALL DEPRESSIONS.

KEM STUDIO
1515 GENESEE ST SUITE 11 KANSAS CITY MO 64102
816 756 1808 f 816 756 1828
kemstudio.com

Stand Structural Engineering Inc
8234 Robinson Street
Overland Park, KS 66210
(913)214-2169
www.stand-se.com

RELATED DOCUMENTS: This Drawing may be part of an integrated set of Construction Documents, including the Contract Agreement, the General and Supplemental Conditions of the Contract, Division-01 Specification Sections, and applicable "Technical" Requirements. The Contract Documents are complementary; what is required by one is as binding as if required by all. Other documents affecting the Work may include Geotechnical recommendations, Manufacturer's Product Data and installation requirements, Shop Drawings and Coordination Drawings. Failure to review applicable documents does not reduce the obligation to provide complete and operational building components.

VERIFY EXISTING CONDITIONS AND DIMENSIONS prior to construction. Calculate and measure dimensions - DO NOT SCALE THE DRAWINGS unless so directed by the Architect. Dimensions indicated are to the face of a material unless otherwise indicated. Application of a material or equipment item to Work installed by others constitutes acceptance of that Work, and assumption of responsibility for subsequent satisfactory installation.

THIS DRAWING WAS PREPARED under the Engineer's supervision, and is an "Instrument of Service" intended solely for use on this Project. The Engineer's Services are performed solely in the interest of the Client; no obligation is assumed by the Engineer for the benefit of any other entity involved in the Construction Work. The information, ideas and designs indicated - including the overall form, arrangement and composition of spaces or building elements - constitutes the original, confidential, and unpublished Work and property of the Engineer. Possession of this Drawing confers no right or license to disclose to others the subject matter contained herein for any but authorized purposes. Unauthorized use, reproduction or distribution - in whole or in part - is strictly prohibited. Copyright © 2018 by Stand Structural Eng Inc.

ISSUED FOR:
95% CDS 12.22.2017
PERMIT SET 01.12.2018

PORT KC OFFICES
1000 BERKLEY PARKWAY - SPACE E177
KANSAS CITY, MO 64106
PROJECT NUMBER: A1718

01/12/2018

CONCRETE TYPICAL DETAILS
S030