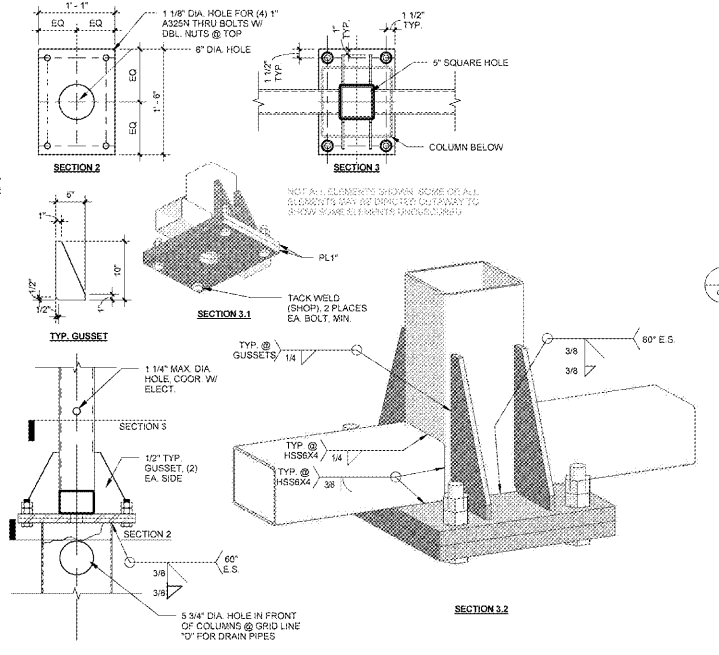
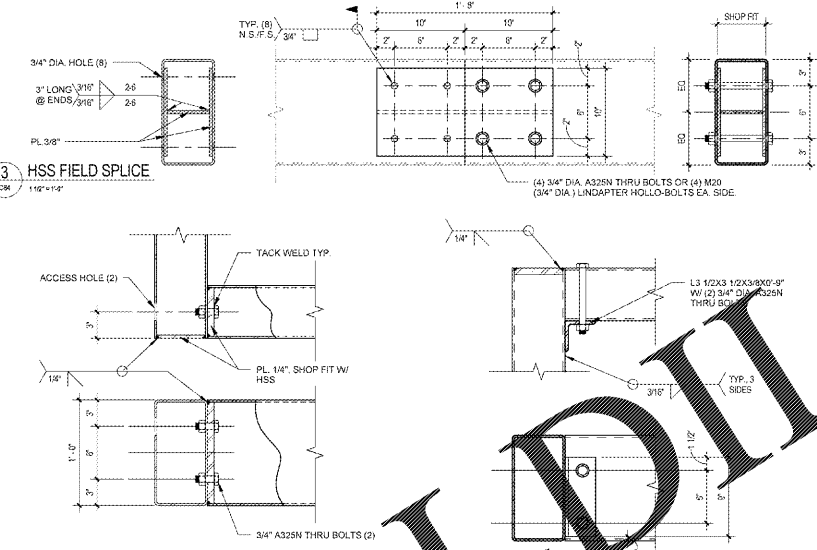


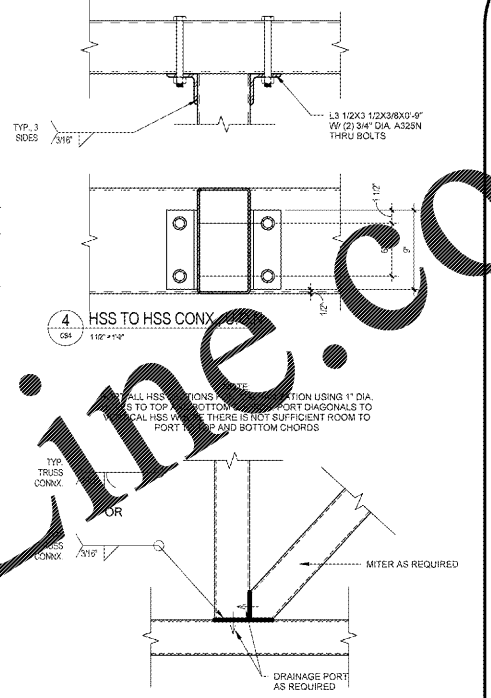
1 SIGNAGE SUPPORT
CS4 1'-0\"/>



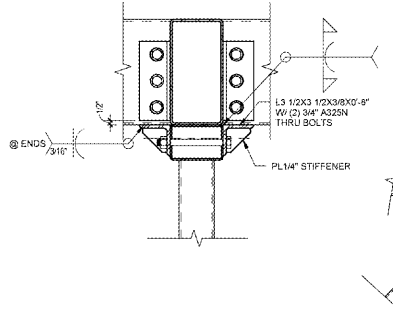
2 COLUMN TO TRUSS CONX.
CS4 1'-0\"/>



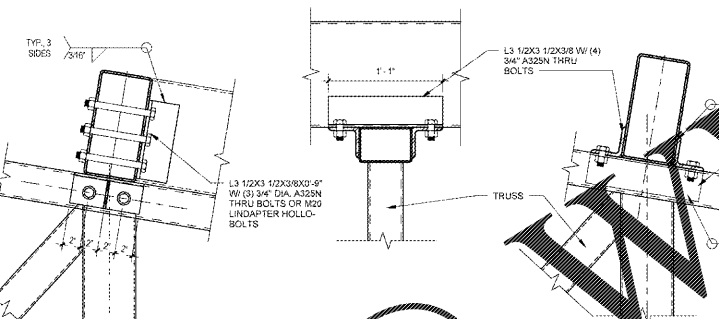
3 HIGH HSS TO HSS CORNER CONX.
CS4 1'-0\"/>



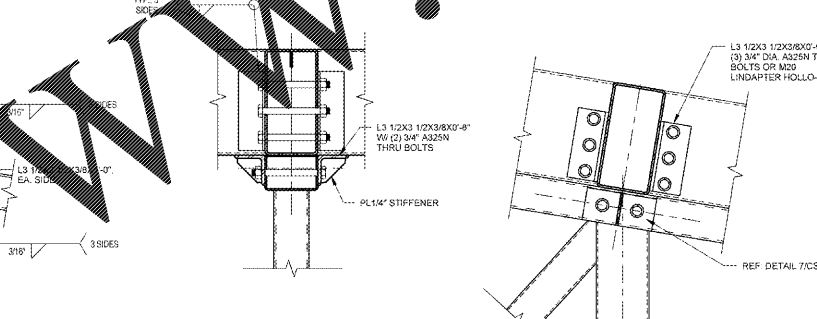
4 TRUSS CONX. WELDS, TYP.
CS4 1'-0\"/>



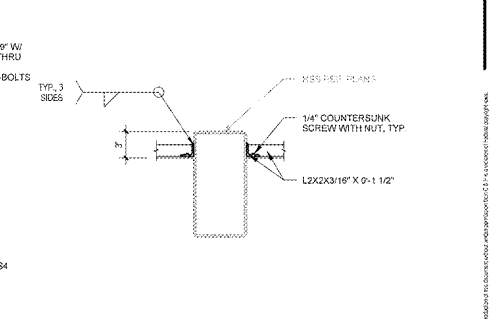
7 HIGH REAR OUTRIGGER TO TRUSS CONX.
CS4 1'-0\"/>



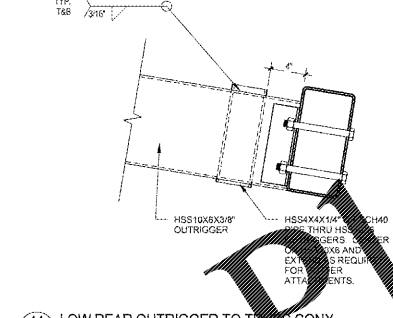
8 TRUSS TO PURLIN CONX., U.O.N.
CS4 1'-0\"/>



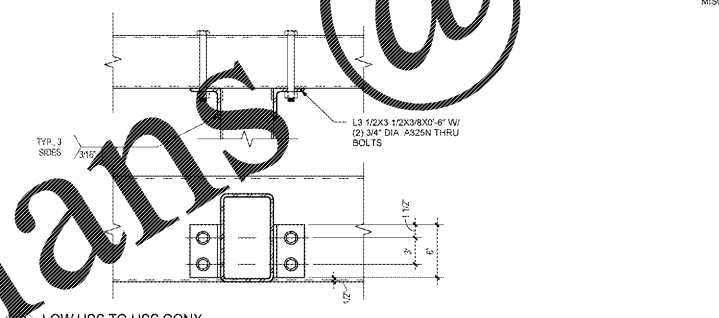
9 HIGH REAR OUTRIGGER TO TRUSS CONX.
CS4 1'-0\"/>



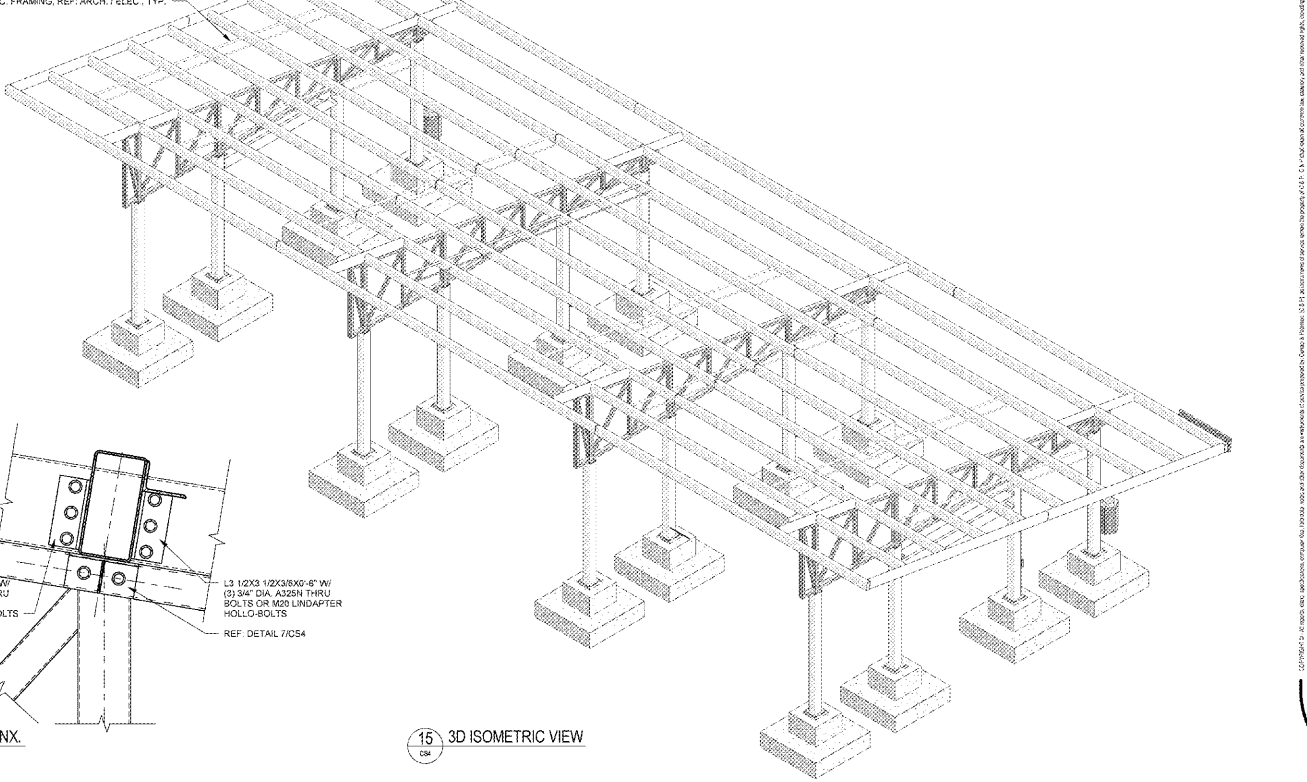
10 MISC. FRAMING
CS4 1'-0\"/>



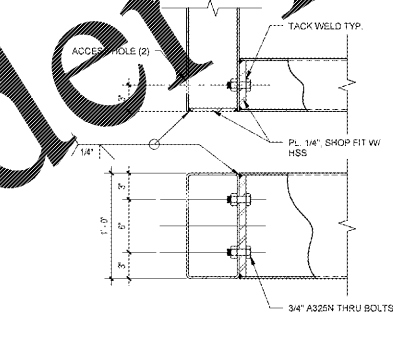
11 LOW REAR OUTRIGGER TO TRUSS CONX.
CS4 1'-0\"/>



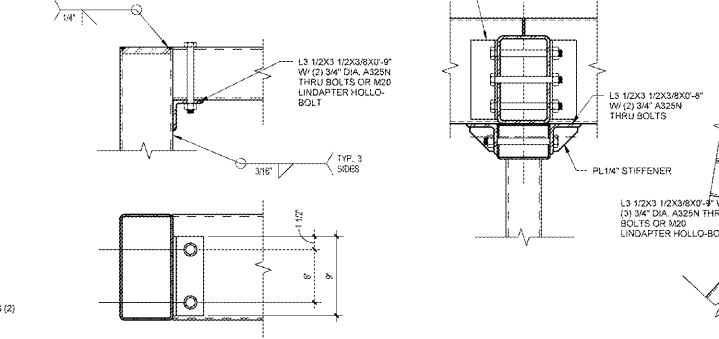
12 LOW HSS TO HSS CONX.
CS4 1'-0\"/>



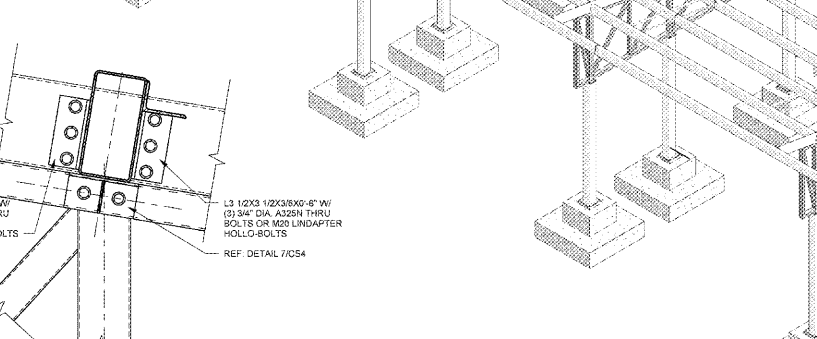
15 3D ISOMETRIC VIEW
CS4



13 LOW HSS TO HSS CORNER CONX.
CS4 1'-0\"/>



13.1 LOW ALT. HSS TO HSS CORNER CONX.
CS4 1'-0\"/>



14 LOW REAR OUTRIGGER TO TRUSS CONX.
CS4 1'-0\"/>

Order Plans @

WWW.LDLINE.COM

1925 Prospect Ave.
Orlando, FL 32814
P (407) 661-9100
F (407) 661-9101
www.ldline.com

Cubaci & Retamiers
Architects Engineers

CLIENT NAME
WAWA
260 WEST BALTIMORE PIKE
WAWA, PENNSYLVANIA 19053

PROJECT NAME
WAWA STACKED 8 GAS CANOPY 2017.01 STORE #5294-CNY
26008 U.S. 19 NORTH
CLEARWATER, FL 33761

SHEET TITLE
DETAILS

Revision	Description	Date
1	PRELIMINARY	01/17/2017
2	PRELIM REVIEW SET	07/26/2017
3	BID SET	09/05/2017

PRODUCT NO.
210102
DATE
01/01/2017
FORM NO.
CS4

CS4