

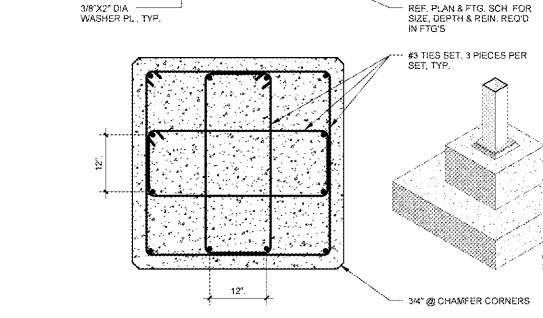
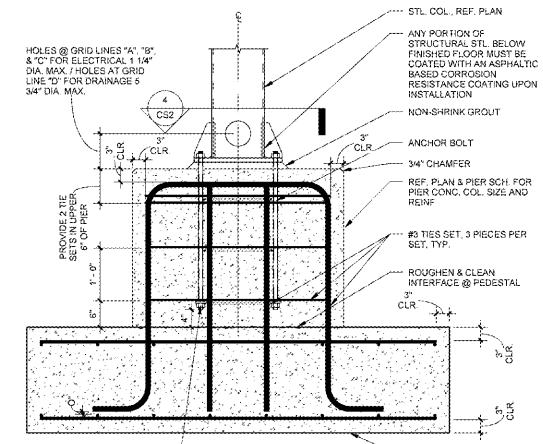
**FOUNDATION GENERAL NOTES:**  
 1. FOOTINGS HEREIN ARE RELATIVE TO ELEVATION OF 0'-0" THE TOP OF ALL FOOTINGS SHALL BE THUS: -4'-9" TYP. U.O.N.  
 2. ENCASE ALL BASE PLATES WITH 3000 PSI CONCRETE OR GROUT. MIN. 3" THICK ALL AROUND AND ON TOP OF W/S CLR. TO TOP OF S.O.L.S.

STRUCTURAL - FOUNDATION SCHEDULE					
MARK	LENGTH	WIDTH	FOUNDATION THICKNESS	TOP REINF. (Ø) #3 E.W.	BOTTOM REINF. (Ø) #3 E.W.
F8.3	8'-2"	8'-2"	2'-0"	#3	#3

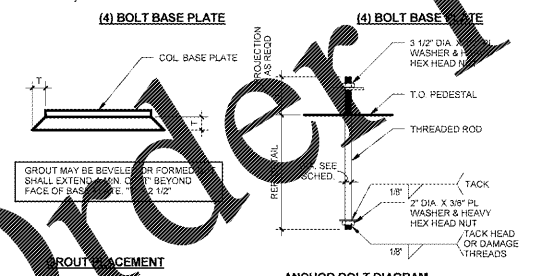
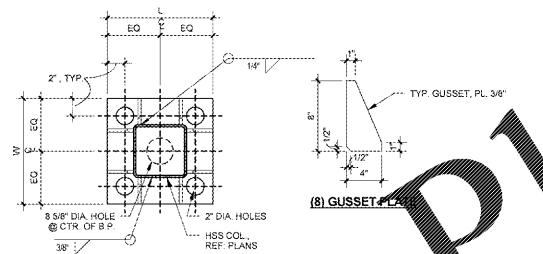
STRUCTURAL - CONCRETE PIER SCHEDULE					
MARK	SIZE	VERT. REINF.	TIES	NOTES	
P1	48" x 48"	(Ø) #9 HARPPINS	#3 TIES	REF. DETAIL/SCH. FOR BP INFO.	

STRUCTURAL - STEEL COLUMN SCHEDULE				
MARK	COL. "A"	TYPE	COLUMN BASE PLATE	NOTES
		HSS12X6X1/4	A	REF. DETAIL/SCH. FOR BP INFO.

STRUCTURAL - COLUMN BASE PLATE SCHEDULE					
MARK	LENGTH	WIDTH	PL. THICKNESS	MATERIAL	ANCHOR BOLTS
A	1'-3"	1'-3"	1/2"	A572 GR. 50 ST.	(4) 1 1/2" THREADED HEADED RODS [ASTM F1554 GR. 36 (S1)]

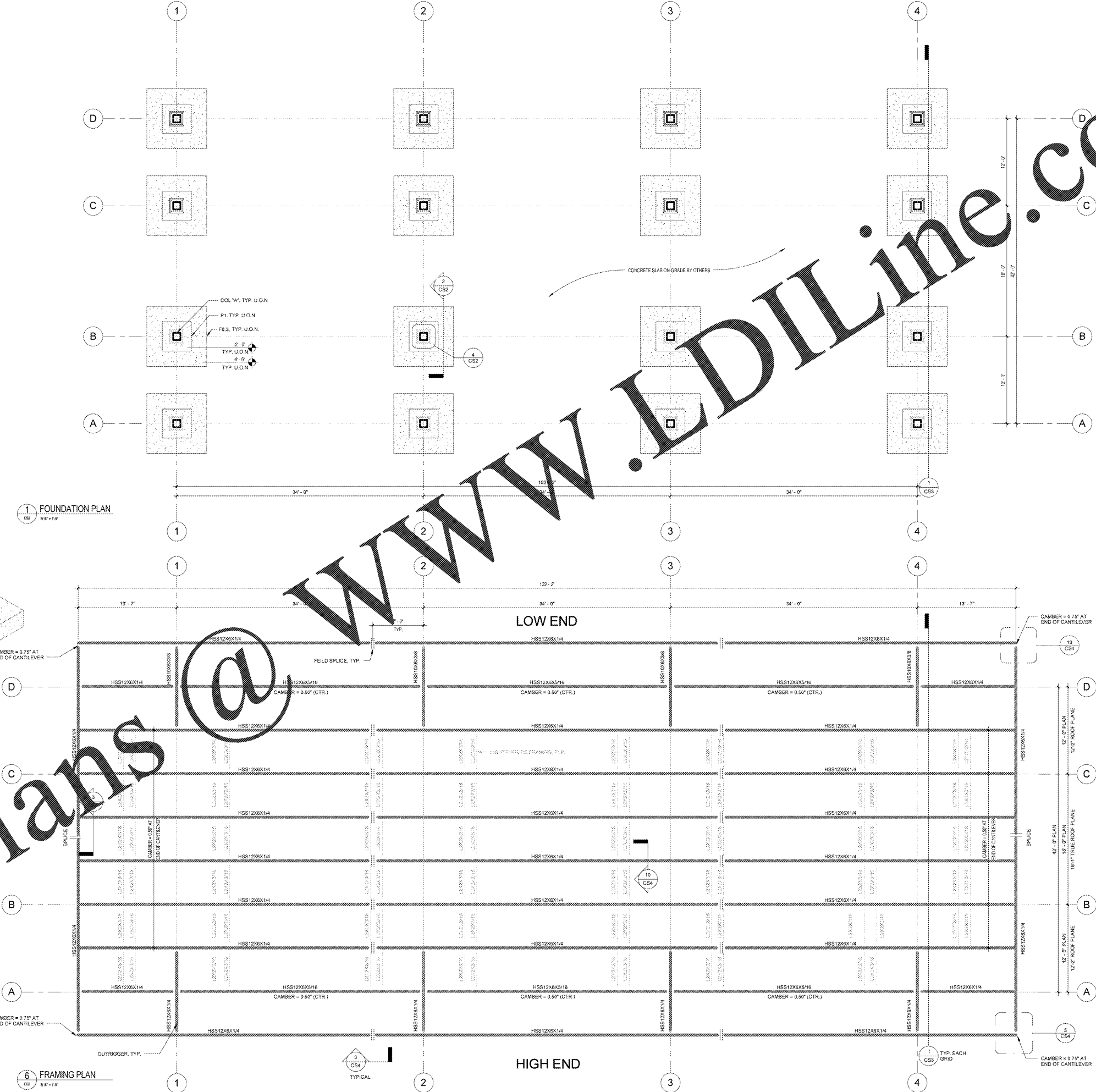


2 FOUNDATION DETAIL  
 3/4" x 1 1/2"



4 GEN. BASE PLATE AND ANCHOR BOLT INFO.  
 1" x 1 1/2" x 1 1/2"

NOTES:  
 1. REF. COLUMN SCHEDULE FOR WIDTH "W", LENGTH "L" AND THICKNESS "T".



1 FOUNDATION PLAN  
 3/4" x 1 1/2"

6 FRAMING PLAN  
 3/4" x 1 1/2"

WWW.EDLINE.COM

1925 Prospect Ave.  
 Orlando, FL 32814  
 P (407) 661-9100  
 F (407) 661-9101

**Calaci & Retamiers**  
 Architects Engineers

CLIENT NAME  
**WAWA**  
 260 WEST BALTIMORE PIKE  
 WAWA, PENNSYLVANIA 19083

PROJECT NAME  
**WAWA STACKED 8 GAS CANOPY 2017.01 STORE #5294-CNY**  
 2600R US 19 NORTH  
 CLEARWATER, FL 33761

Revision	Description	Date
01	ISSUED FOR PERMITS	01/17/2017
02	PERMITS REVIEW SET	07/26/2017
03	BID SET	09/05/2017

CS2