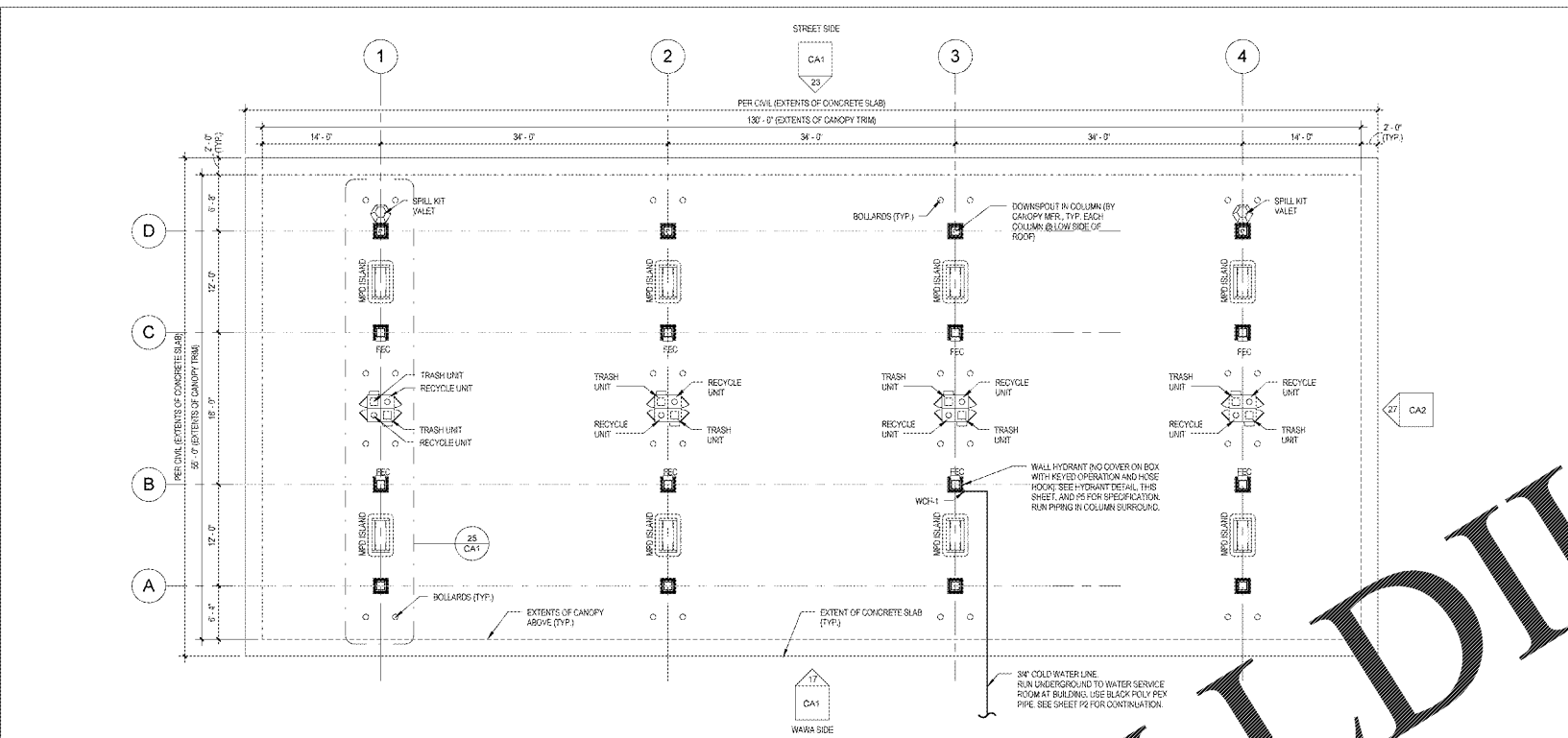
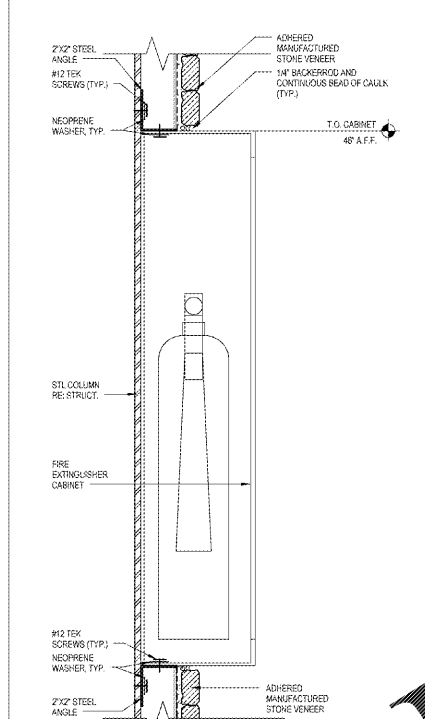


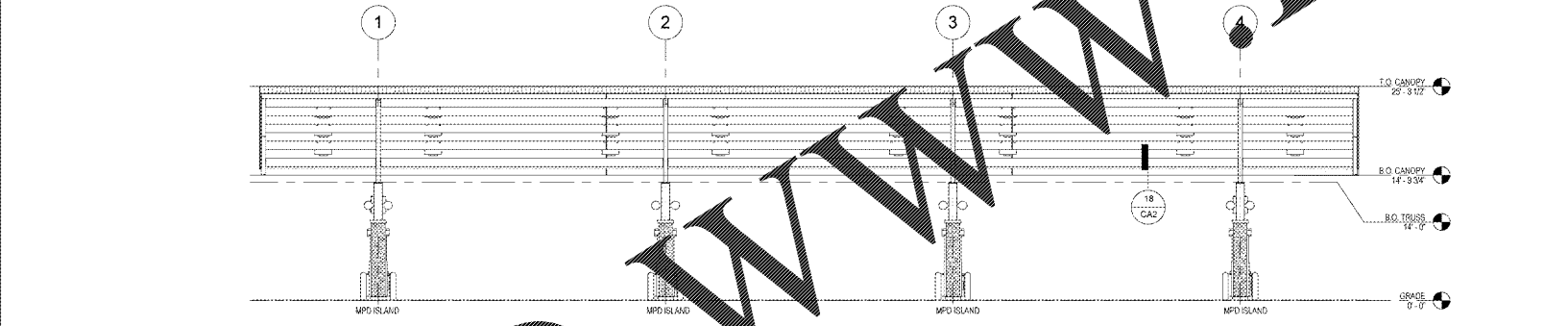
12 CA1
1/2" x 1/4"



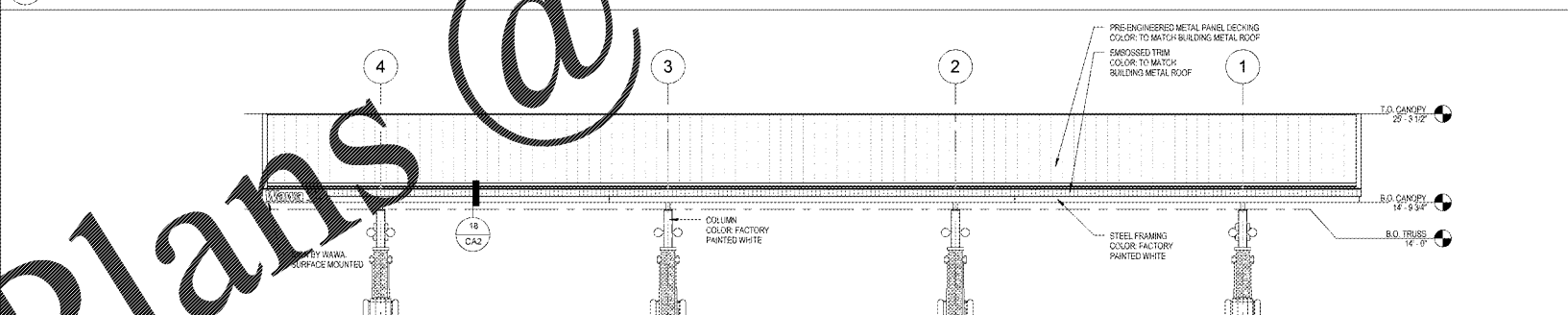
11 CA1
18' x 14'



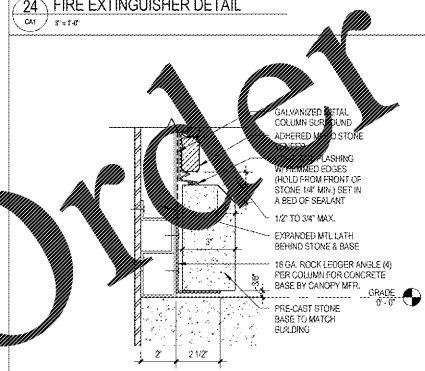
24 CA1
1' x 1'



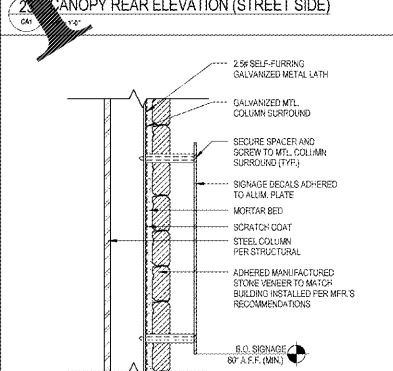
17 CA1
18' x 14'



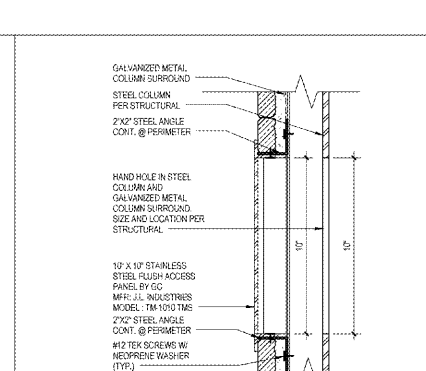
23 CA1
18' x 14'



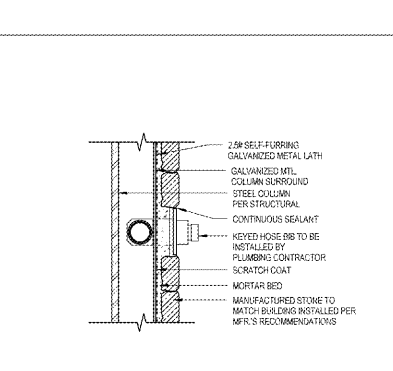
30 CA1
3' x 1'



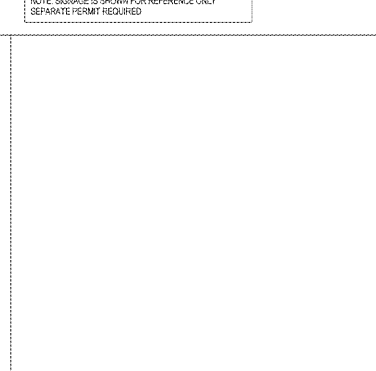
29 CA1
7\"/>



28 CA1
7\"/>



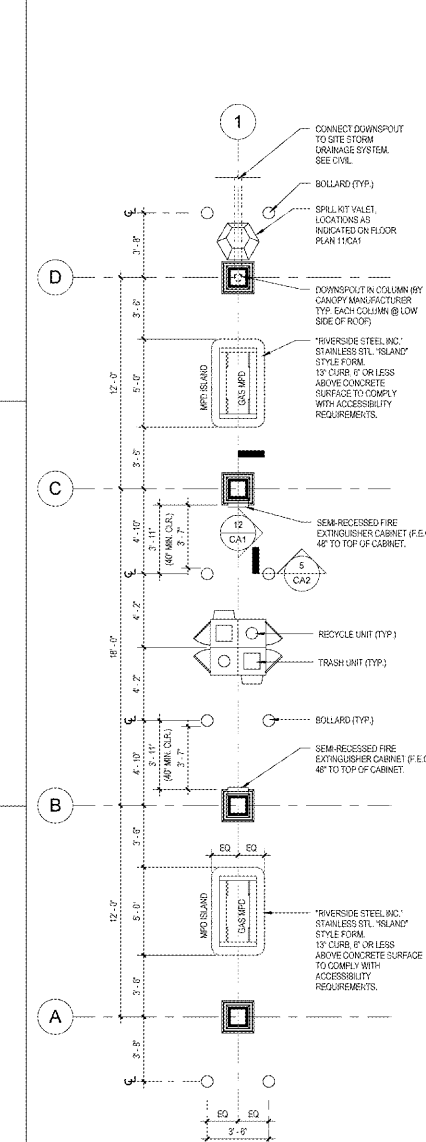
27 CA1
7\"/>



25 CA1
14' x 14'

GENERAL NOTES:

1. ALL WORK SHALL COMPLY WITH THE FLORIDA BUILDING CODE 5TH EDITION (2014), THE FLORIDA FIRE PROTECTION CODE 5TH EDITION (2014), 2012 NFPA 30A CODE FOR MOTOR FUEL DISPENSING FACILITIES AND REPAIR GARAGES, AND 2012 NFPA 10 STANDARD FOR PORTABLE FIRE EXTINGUISHERS. SEE COVER SHEET FOR DETAILED CODE INFORMATION.
2. FIRE EXTINGUISHER CABINETS (IF E.C.) SHALL BE STAINLESS STEEL SURFACE MOUNTED AS MANUFACTURED BY J.L. INDUSTRIES, COSMOPOLITAN SERIES, MODEL #E55, WITH FULL CLEAR ACRYLIC GLAZING ON DOOR. FIRE EXTINGUISHER CABINETS ARE SUPPLIED BY WAWA AND INSTALLED BY GENERAL CONTRACTOR. ONE PER MPO ISLAND. SEE DETAILS THIS SHEET FOR REQUIRED MOUNTING HEIGHTS.
3. FIRE EXTINGUISHERS SHALL HAVE A MINIMUM UL RATING OF 4A:60:BC (HIGH FLOW). FIRE EXTINGUISHERS TO COMPLY WITH 2012 NFPA 30A AND MEET OR EXCEED 2012 NFPA 10 CLASS B SPECIAL HAZARD FIRE PROTECTION RECOMMENDATIONS. FIRE EXTINGUISHERS ARE SUPPLIED BY WAWA AND INSTALLED BY PETROLEUM CONTRACTOR. ONE PER MPO ISLAND.
4. FIRE EXTINGUISHER SIGNS PROVIDED AND INSTALLED BY WAWA. SEE DETAIL THIS SHEET FOR REQUIRED MOUNTING HEIGHTS.
5. WARNING SIGNS SHALL BE PROVIDED BY WAWA AND INSTALLED BY THE PETROLEUM CONTRACTOR AT EACH MPO ISLAND. WARNING SIGNS (2012 NFPA 30A 9.2.2.4 SIGNS) SHALL INCLUDE BUT NOT BE LIMITED TO:
 - a. NO SMOKING
 - b. STOP ENGINE
 - c. UNLAWFUL TO DISPENSE GASOLINE INTO UNAPPROVED CONTAINERS.
6. LOCATION OF TRASH UNITS AND RECYCLE UNITS SHALL BE AS SHOWN ON FLOOR PLAN. ALL RECEIPTABLES WITH ADJUSTABLE LEVELERS AND ANCHOR TO CONCRETE SURFACE USING (1) 3/8\"/>
7. LOCATION OF SPILL KIT VALETS SHALL BE AS SHOWN ON FLOOR PLAN. ANCHOR TO CONCRETE SURFACE WITH ANCHOR BOLTS AND BRIDGMENT FASTENERS. SPILL KIT VALETS ARE SUPPLIED BY WAWA AND INSTALLED BY PETROLEUM CONTRACTOR.
8. VERIFY IF MUSIC IS ACCEPTED OR REQUIRED WITH MUSIC ENGINEER AND MUSIC MANAGER. SEE SHEET CE1 ELECTRICAL CANOPY FRAS. DETAIL. SCHEDULES FOR MUSIC INSTALLATION REQUIREMENTS. MUSIC SHALL BE INSTALLED BY THE PETROLEUM CONTRACTOR.
9. VERIFY CANOPY CONFIGURATION AT FINAL SITE. VERIFY METAL AND ALLUMINUM FINISHES UNLESS NOTED OTHERWISE (LUXE).



25 CA1
14' x 14'

1925 Prospect Ave.
Orlando, FL 32814
P (407) 461-9100
F (407) 461-9101
www.r.p.d.com

CLIENT NAME: WAWA
280 WEST BALTIMORE PIKE
WAWA, PENNSYLVANIA 19083

PROJECT NAME: WAWA STACKED 8 GAS CANOPY 2017.01 STORE #5294-CNY
28008 US 19 NORTH
CLEARWATER, FL 33761

SHEET TITLE: ARCHITECTURAL CANOPY PLAN, ELEVATIONS, AND DETAILS

NO.	DATE	DESCRIPTION
1	01/17/2017	PRELIMINARY SET
2	01/20/2017	REVISED SET
3	02/04/2017	REVISED SET

CA1