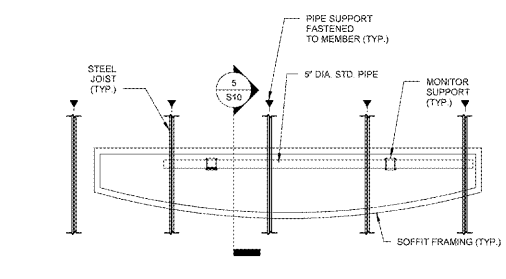
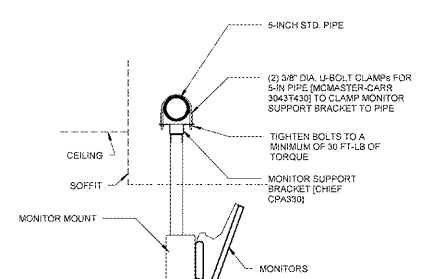


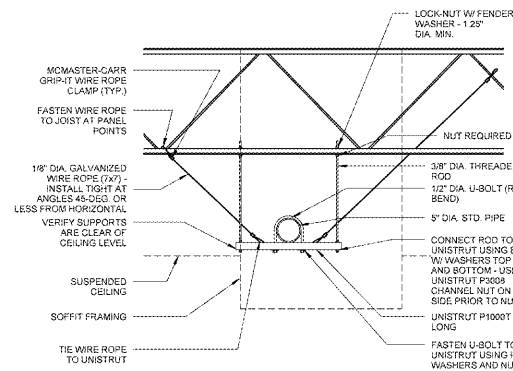
1 STRUCTURAL PLANS - LEVEL 3



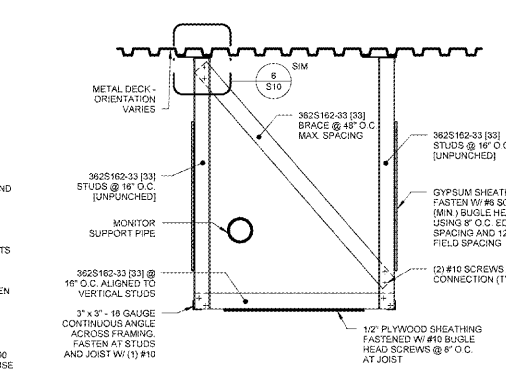
2 STRUCTURAL PLANS - LEVEL 3 SOFFIT FRAMING



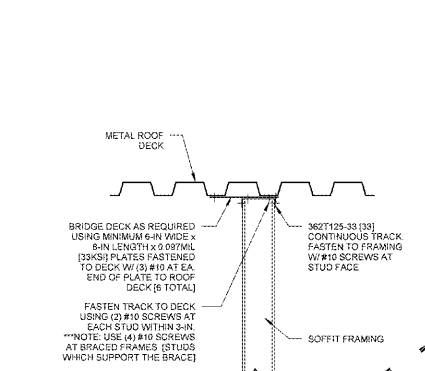
3 MONITOR TO PIPE CONNECTION



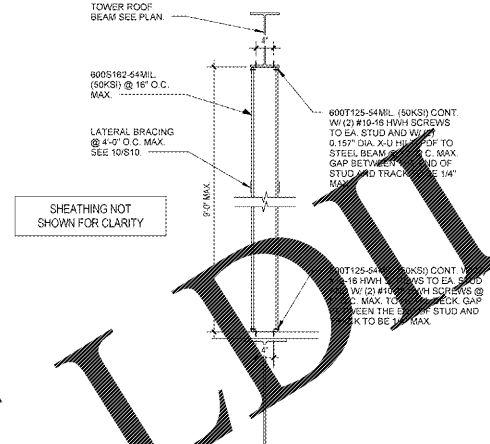
4 TYPICAL PIPE SUPPORT



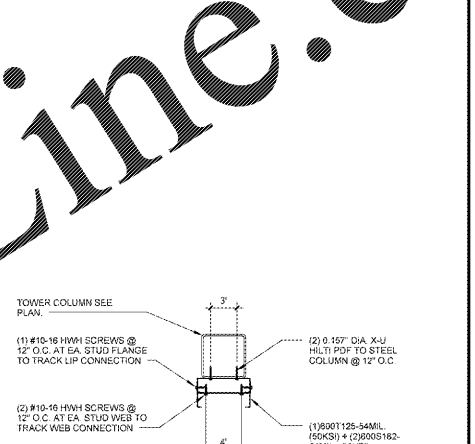
5 TYPICAL SOFFIT SECTION



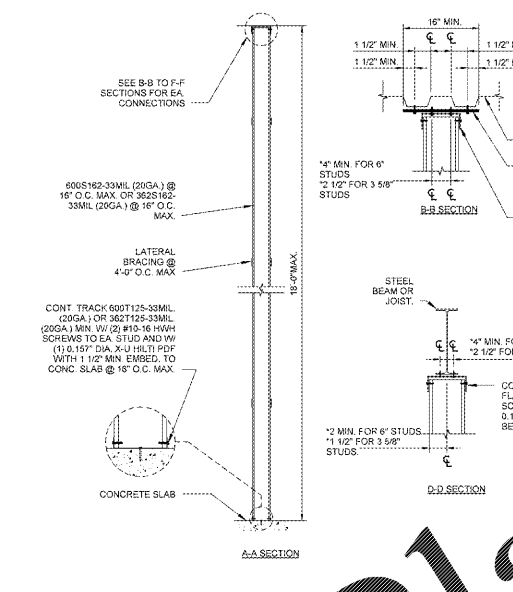
6 FRAMING TO ROOF DECK CONNECTION



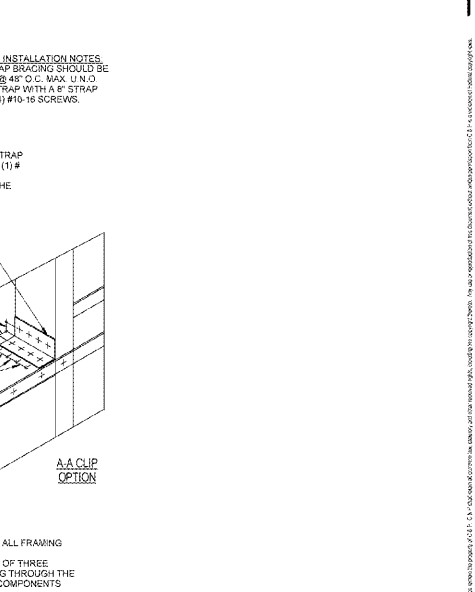
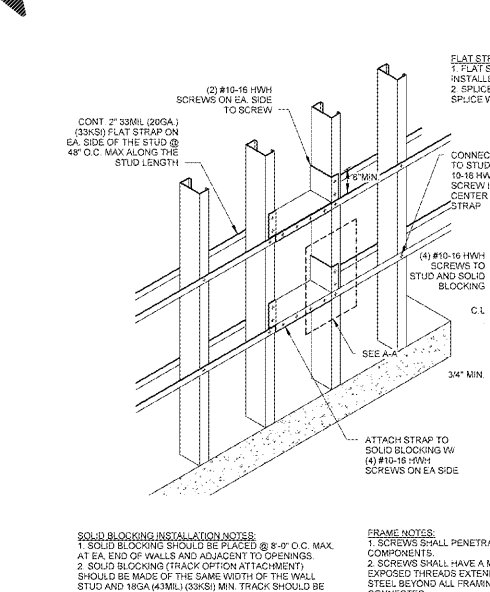
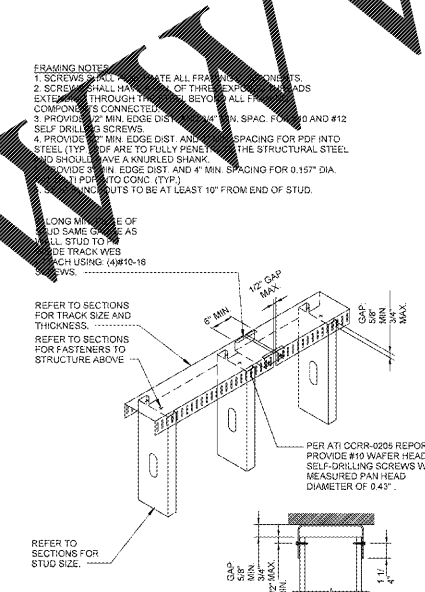
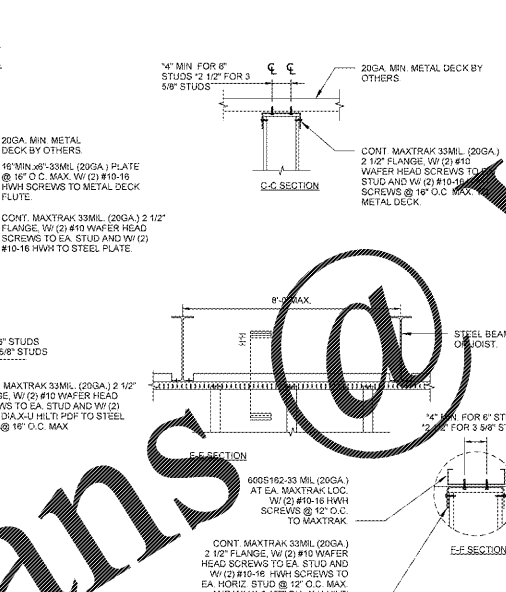
7 SHEAR WALL FRAMING IN CL 6.9, 7 & 10



8 SHEAR WALL END BUILT UP COLUMN



9 TYP. INTERIOR WALL FRAMING



10 LATERAL BRACING FOR HORIZ. OR VERT. FRAMING

Order Plans @ WWW.LDLine.com

1925 Prospect Ave.
Orlando, FL 32814
P (407) 661-9100
F (407) 661-9101
www.ldline.com

CLIENT NAME
WAWA
260 WEST BALTIMORE PIKE
WAWA, PENNSYLVANIA 19083

PROJECT NAME
WAWA F85FB 2017.01 STORE #5294-CNY
26508 U.S. 19 NORTH
CLEARWATER, FL 33761

Revision	Number	Date	Description
1	01/17/2017	01/17/2017	PRELIMINARY SET
2	01/20/2017	01/20/2017	REVISED SET
3	01/20/2017	01/20/2017	REVISED SET