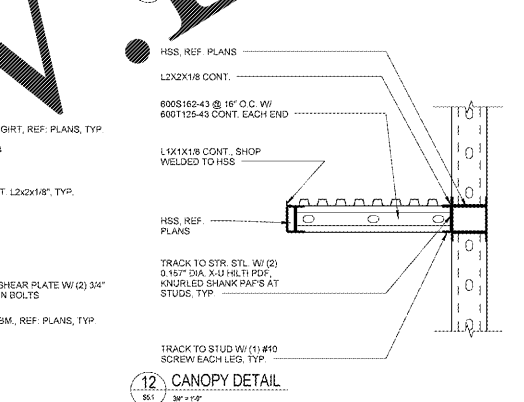
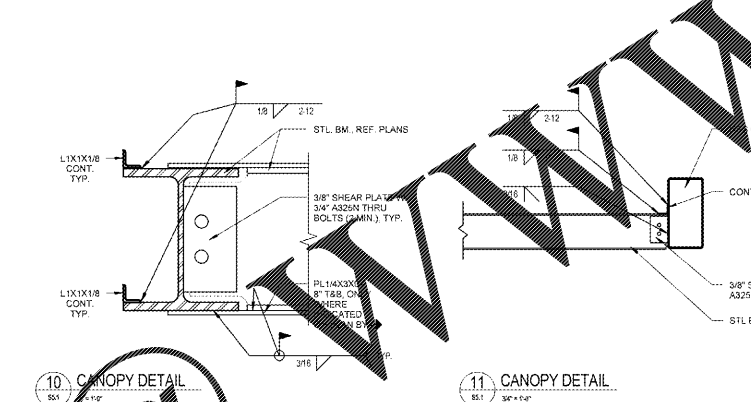
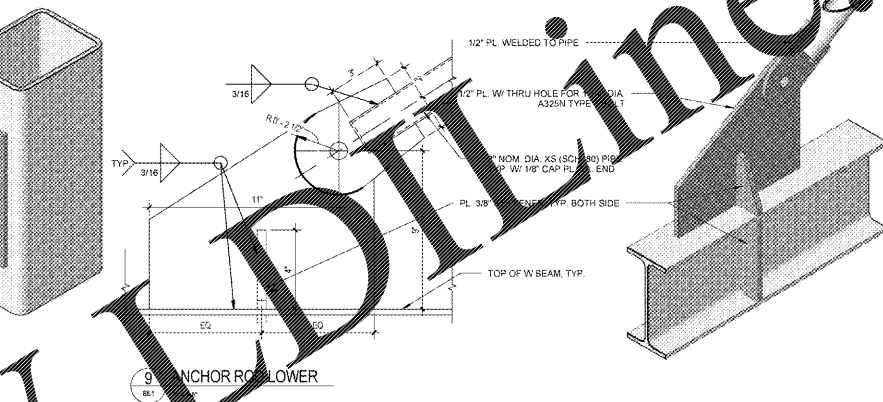
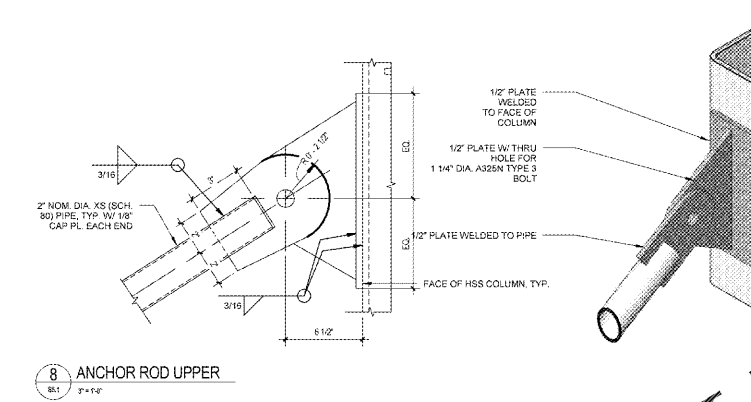
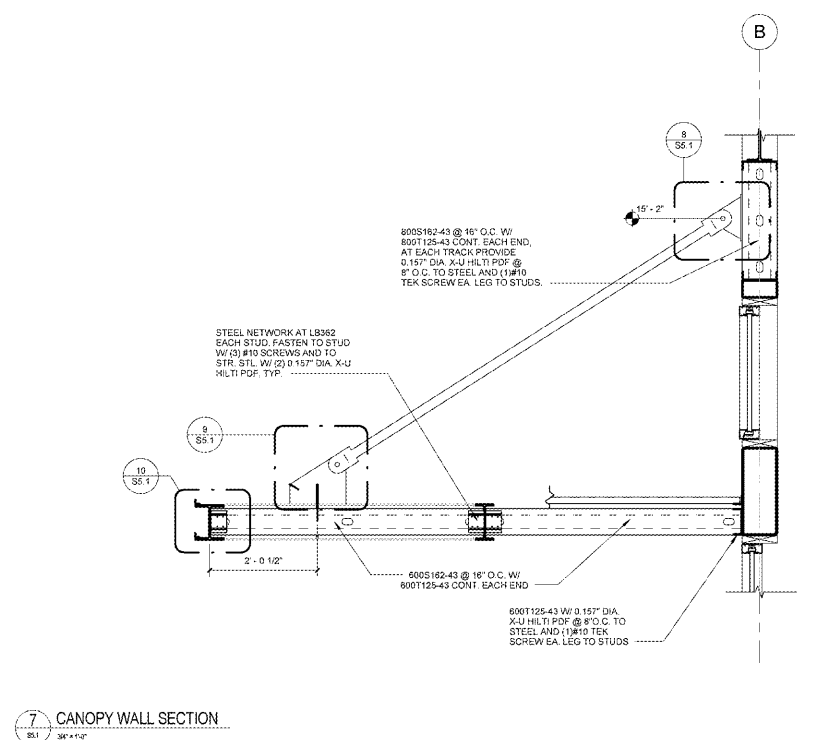
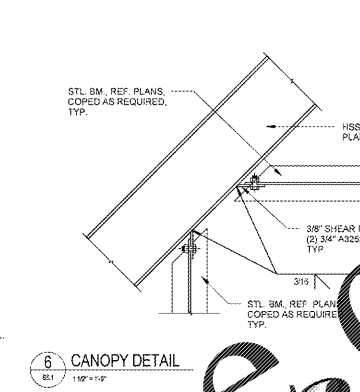
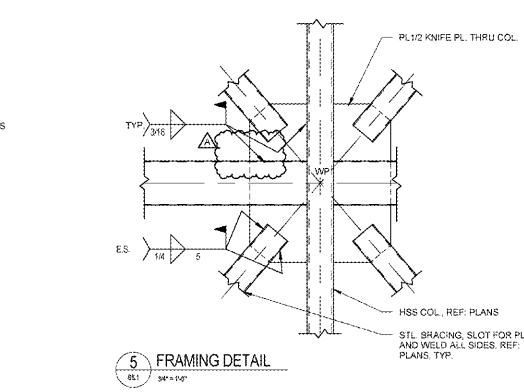
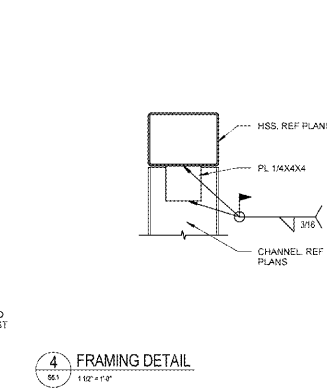
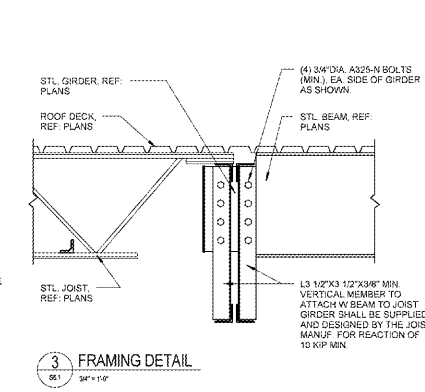
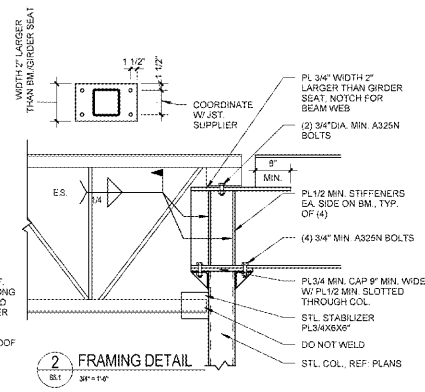
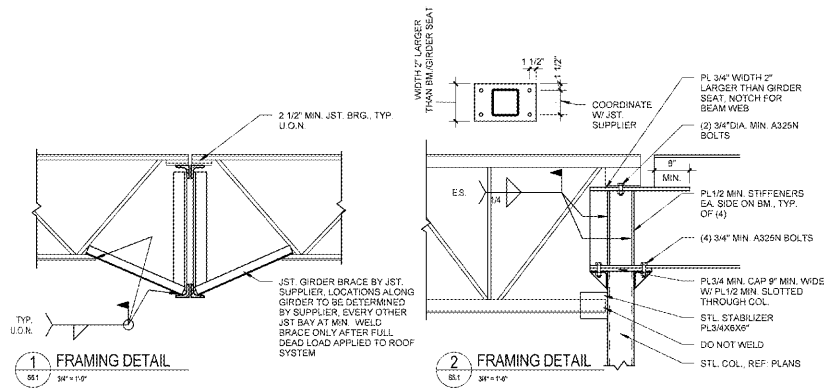


Order Plans @



1925 Prospect Ave.
Orlando, FL 32814
P (407) 661-9100
F (407) 661-9101
www.cpa.com

Cabalci & Retamiers
Architects Engineers

CLIENT NAME
WAWA
260 WEST BALTIMORE PIKE
WAWA, PENNSYLVANIA 19063

PROJECT NAME
WAWA F85FB 2017.01 STORE #5294-CNY
26008 U.S. 19 NORTH
CLEARWATER, FL 33761

Revision Schedule	
No.	Description
1	PRELIMINARY
2	REVISION
3	PRE-BID REVIEW SET
4	BID SET
5	CONSTRUCTION SET

DATE	01/02/2017
DATE	01/17/2017
DATE	07/26/2017
DATE	07/26/2017
DATE	09/06/2017