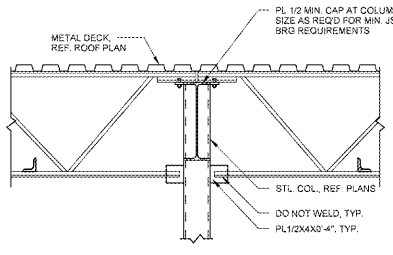
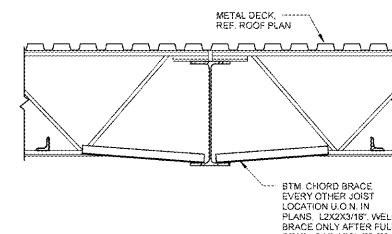


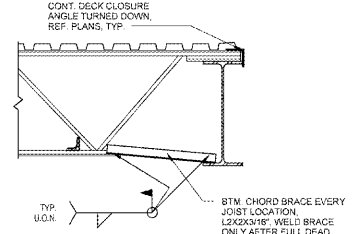
1 FRAMING DETAIL  
85 36" x 14"



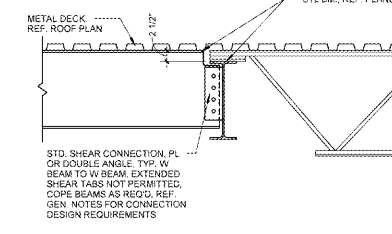
2 FRAMING DETAIL  
85 36" x 14"



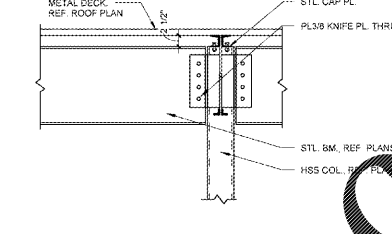
3 FRAMING DETAIL  
85 36" x 14"



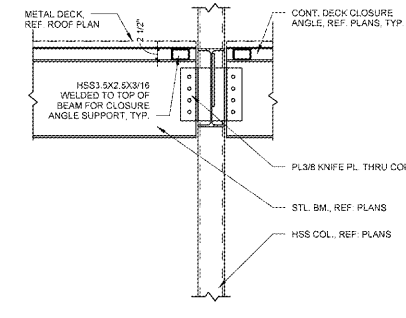
4 FRAMING DETAIL  
85 36" x 14"



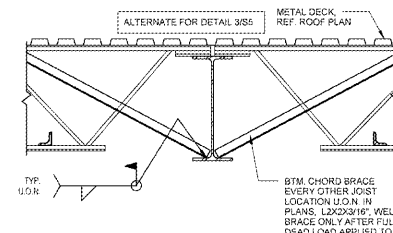
5 FRAMING DETAIL  
85 36" x 14"



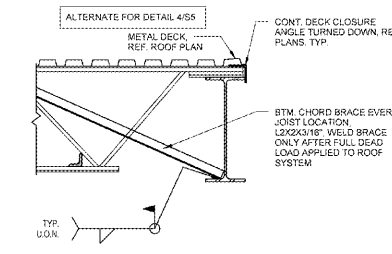
6 FRAMING DETAIL  
85 36" x 14"



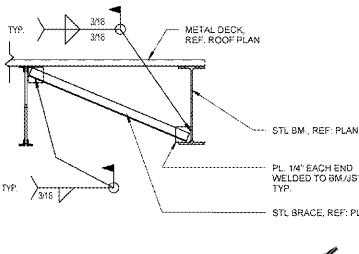
7 FRAMING DETAIL  
85 36" x 14"



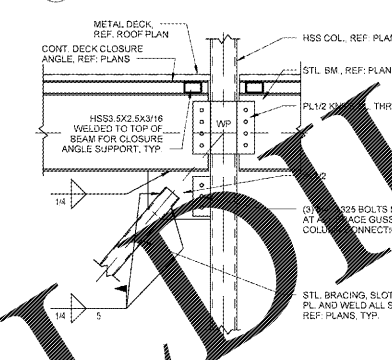
8 FRAMING DETAIL  
85 36" x 14"



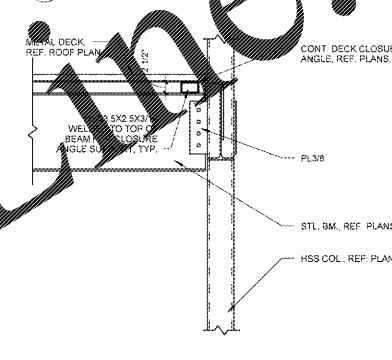
9 FRAMING DETAIL  
85 36" x 14"



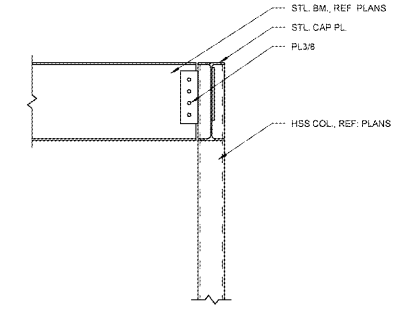
10 FRAMING DETAIL  
85 36" x 14"



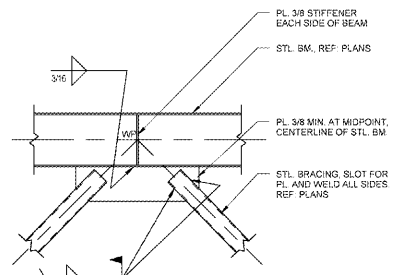
11 FRAMING DETAIL  
85 36" x 14"



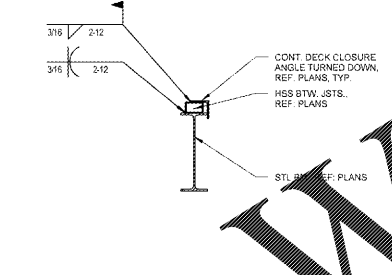
12 FRAMING DETAIL  
85 36" x 14"



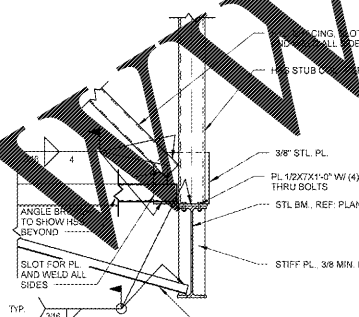
13 FRAMING DETAIL  
85 36" x 14"



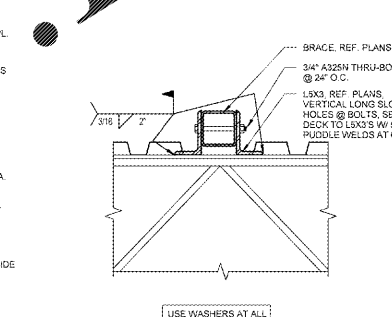
14 FRAMING DETAIL @ TOWER FRAMING  
85 36" x 14"



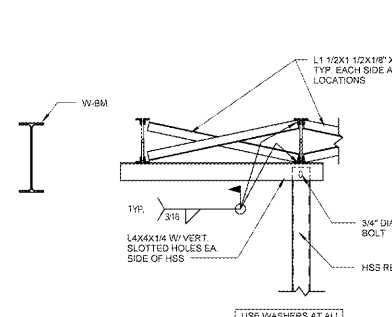
15 FRAMING DETAIL  
85 36" x 14"



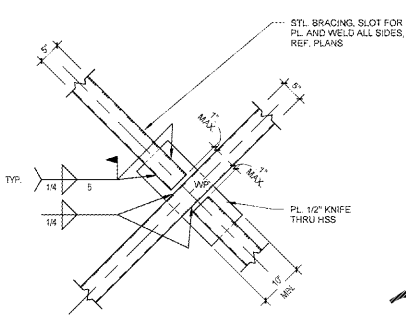
16 FRAMING DETAIL  
85 36" x 14"



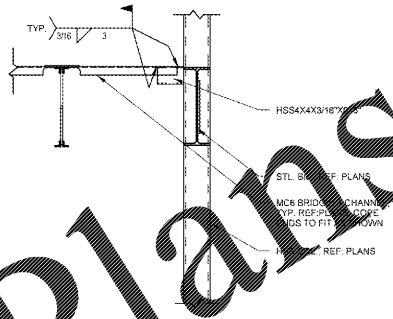
17 FRAMING DETAIL  
85 152" x 14"



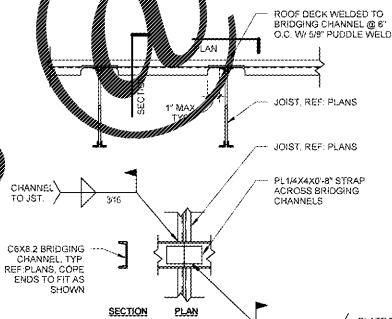
18 FRAMING DETAIL  
85 36" x 14"



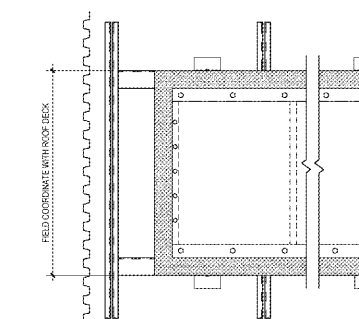
19 FRAMING DETAIL  
85 36" x 14"



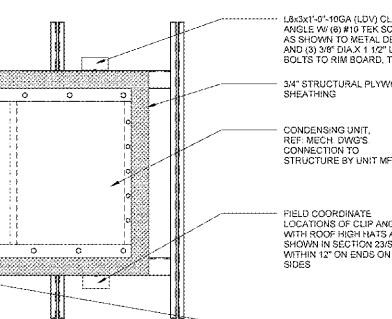
20 FRAMING DETAIL  
85 36" x 14"



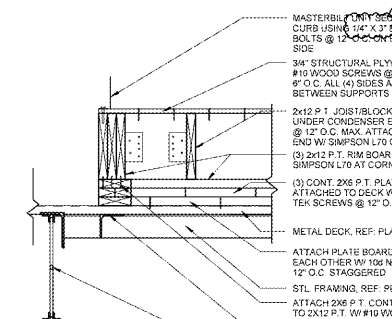
21 FRAMING DETAIL  
85 36" x 14"



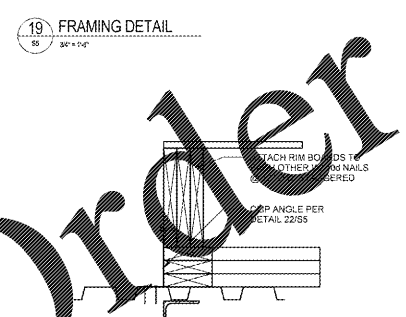
22 FRAMING DETAIL  
85 36" x 14"



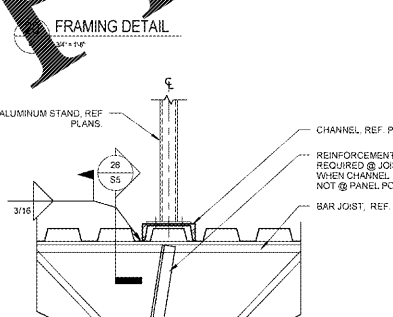
23 FRAMING DETAIL  
85 114" x 14"



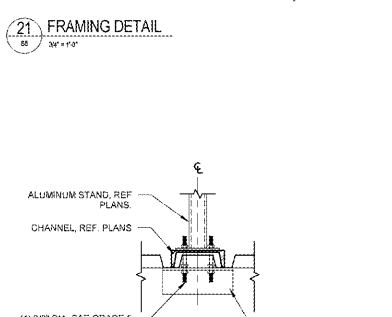
24 FRAMING DETAIL  
85 114" x 14"



25 ALUMINUM STAND DETAIL  
85 112" x 14"



26 ALUMINUM STAND DETAIL 2  
85 112" x 14"



27 FRAMING DETAIL  
85 112" x 14"



28 FRAMING DETAIL  
85 112" x 14"



29 FRAMING DETAIL  
85 112" x 14"



30 FRAMING DETAIL  
85 112" x 14"

**Order Plans**

**WWW.IDLINE.COM**

1925 Prospect Ave.  
Orlando, FL 32814  
P (407) 661-9100  
F (407) 661-9101  
www.idline.com

**Cubaci & Retamians**  
Architects Engineers

CLIENT NAME  
**WAWA**  
260 WEST BALTIMORE PIKE  
WAWA, PENNSYLVANIA 19053

PROJECT NAME  
**WAWA F85FB 2017.01 STORE #5294-CNY**  
26008 U.S. 19 NORTH  
CLEARWATER, FL 33761

SHEET TITLE  
**FRAMING DETAILS**

Revision Schedule	
No.	Description
1	PRELIMINARY
2	REVISED
3	PRELIMINARY SET
4	REVISED SET
5	REVISED SET
6	REVISED SET
7	REVISED SET
8	REVISED SET
9	REVISED SET
10	REVISED SET
11	REVISED SET
12	REVISED SET
13	REVISED SET
14	REVISED SET
15	REVISED SET
16	REVISED SET
17	REVISED SET
18	REVISED SET
19	REVISED SET
20	REVISED SET
21	REVISED SET
22	REVISED SET
23	REVISED SET
24	REVISED SET
25	REVISED SET
26	REVISED SET
27	REVISED SET
28	REVISED SET
29	REVISED SET
30	REVISED SET