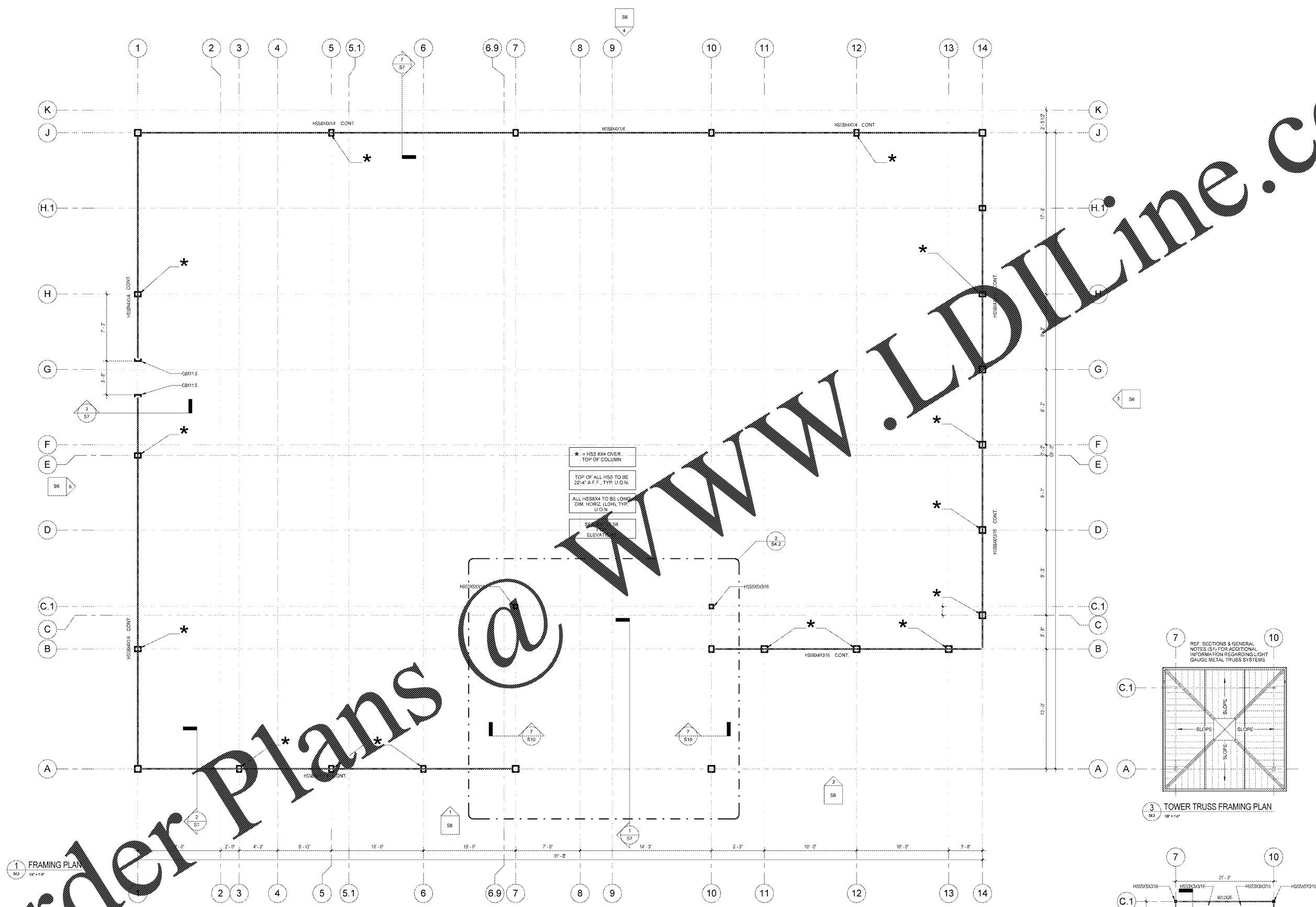
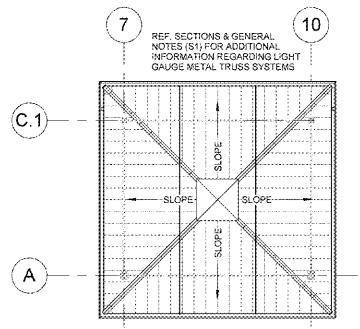


Order Plans @

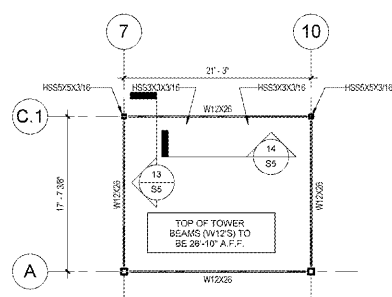
WWW.LDILine.com



1 FRAMING PLAN
1/8" = 1'-0"



3 TOWER TRUSS FRAMING PLAN
1/8" = 1'-0"



2 TOWER FRAMING PLAN
1/8" = 1'-0"

1925 Prospect Ave.
Orlando, FL 32814
P (407) 661-9100
F (407) 661-9101
www.rp.com

Chakoi & Retamiers
Architects Engineers

CLIENT NAME
WAWA
260 WEST BALTIMORE PIKE
WAWA, PENNSYLVANIA 19053

PROJECT NAME
WAWA F85FB 2017.01 STORE #5294-CNY
26508 U.S. 19 NORTH
CLEARWATER, FL 33761

SHEET TITLE
HIGH FRAMING PLAN

Product No.	2010202
Date	01/02/2017
Revision	01/17/2017
Drawn	SP/ELD/REV/VA/SET/SP/26/2017
Checked	SP/26/2017
Scale	AS SHOWN
Author	SP/26/2017
Project	WAWA F85FB 2017.01 STORE #5294-CNY
Sheet No.	S4.2