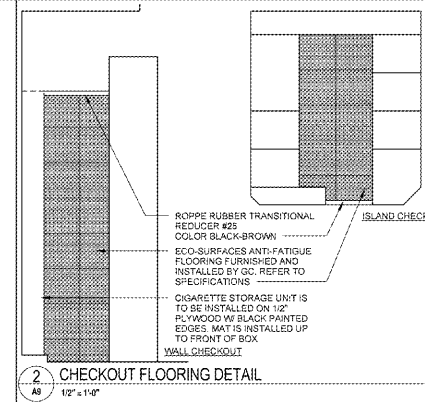
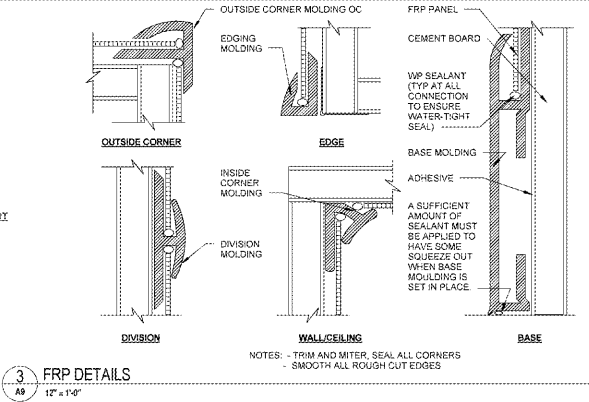


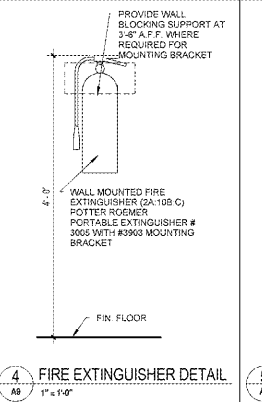
Order Plans



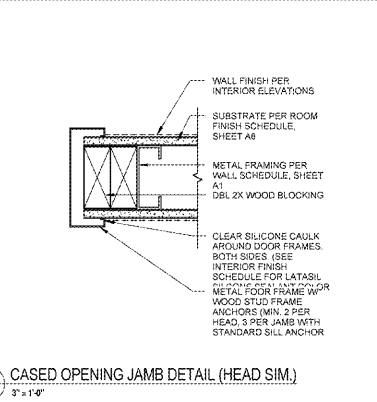
2 CHECKOUT FLOORING DETAIL
A8 12\"/>



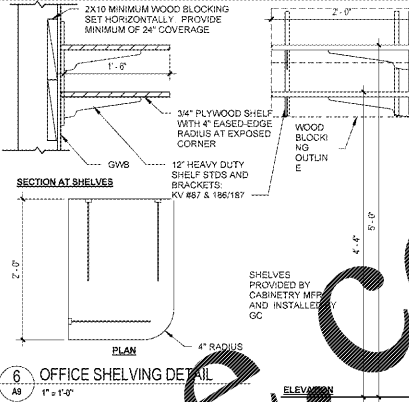
3 FRP DETAILS
A8 12\"/>



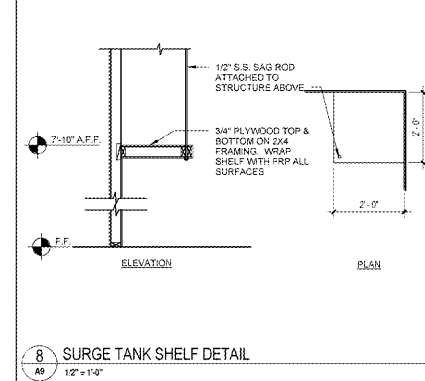
4 FIRE EXTINGUISHER DETAIL
A8 1\"/>



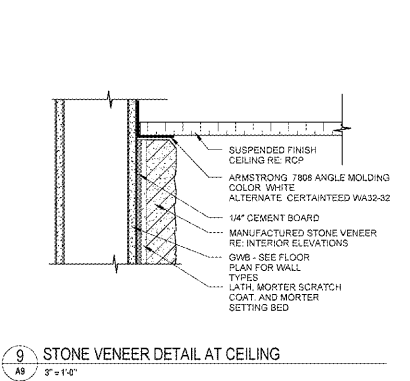
5 CASED OPENING JAMB DETAIL (HEAD SIM.)
A8 3\"/>



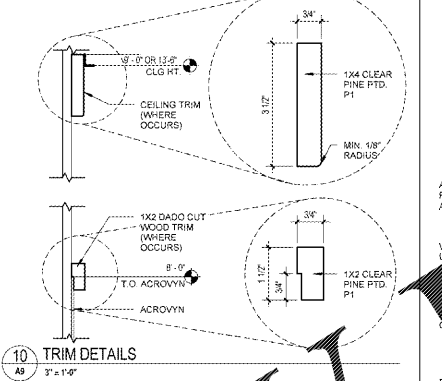
6 OFFICE SHELVING DETAIL
A8 1\"/>



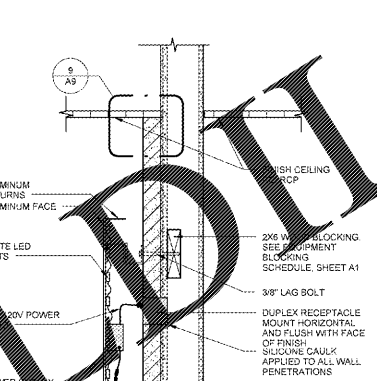
8 SURGE TANK SHELF DETAIL
A8 12\"/>



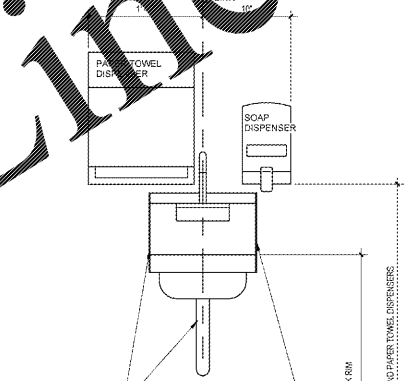
9 STONE VENEER DETAIL AT CEILING
A8 3\"/>



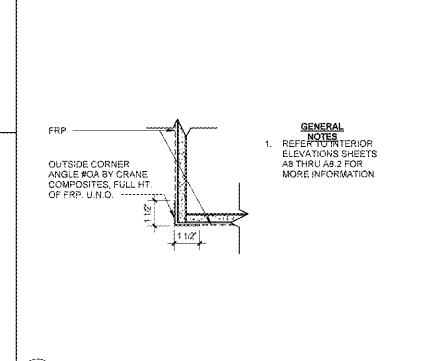
10 TRIM DETAILS
A8 3\"/>



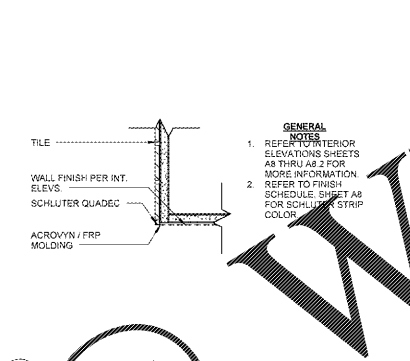
11 LOGO SIGN MOUNTING DETAIL
A8 11\"/>



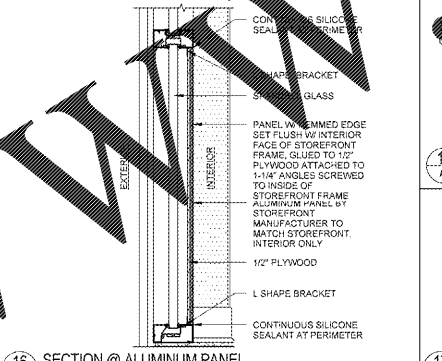
12 HANDWASH SINK DETAIL
A8 11\"/>



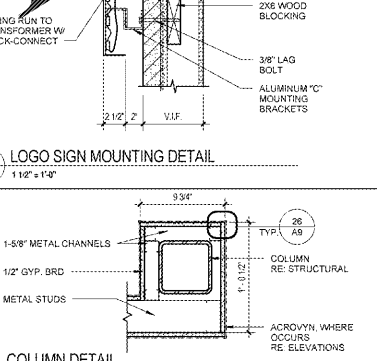
13 WATER SOFTENER FILTER SUPPORT DETAIL
A8 1\"/>



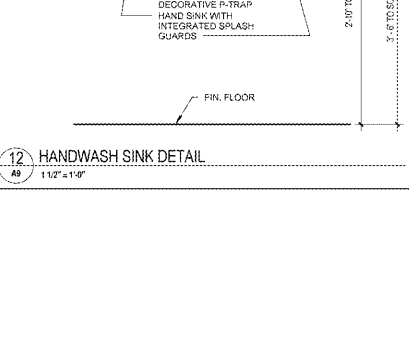
14 CORNER DETAIL @ FRP
A8 3\"/>



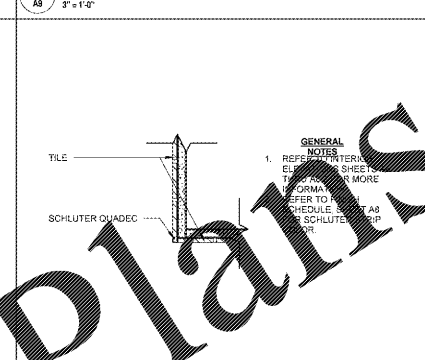
15 CORNER DETAIL @ ACROVYN/TILE
A8 3\"/>



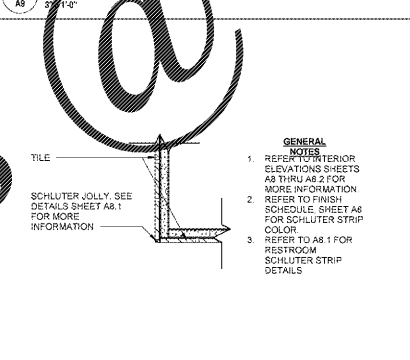
16 SECTION @ ALUMINUM PANEL
A8 11\"/>



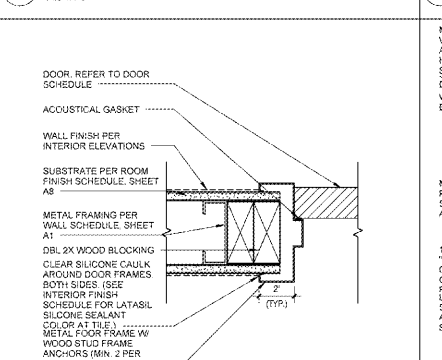
17 COLUMN DETAIL
A8 11\"/>



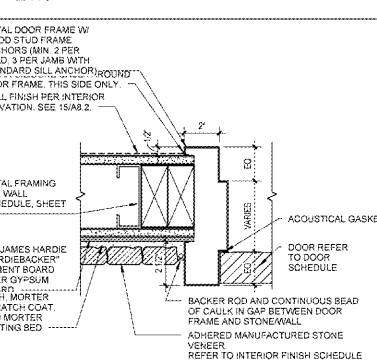
18 CORNER DETAIL @ TILE (FOOD SERVICE)
A8 3\"/>



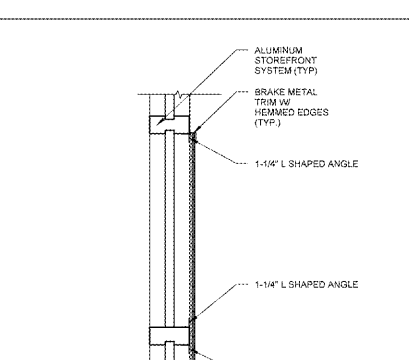
19 CORNER DETAIL @ TILE (RESTROOMS)
A8 3\"/>



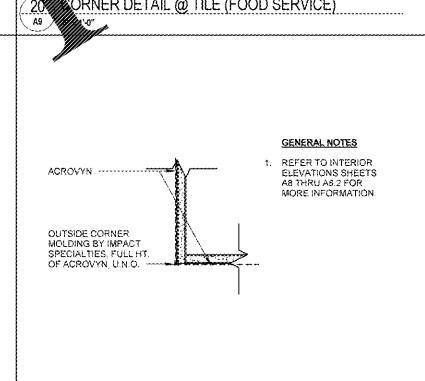
20 INT. DOOR JAMB DETAIL (HEAD SIM.)
A8 3\"/>



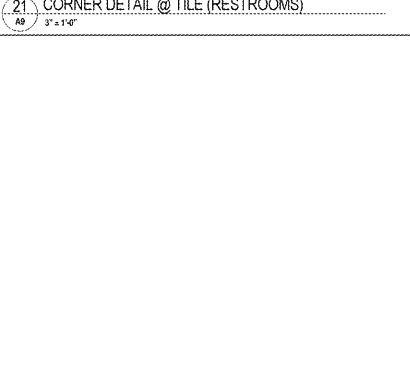
21 INT. DOOR JAMB @ CHECKOUT (HEAD SIM.)
A8 3\"/>



22 SECTION @ FRP PANEL
A8 11\"/>



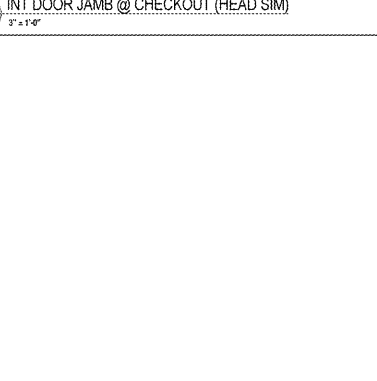
23 CORNER DETAIL @ ACROVYN
A8 3\"/>



24 SECTION AT KNEE WALL
A8 3\"/>



25 CORNER DETAIL @ TILE (RESTROOMS)
A8 3\"/>



26 SECTION @ FRP PANEL
A8 11\"/>

1925 Prospect Ave.
Orlando, FL 32814
P (407) 661-9100
F (407) 661-9101
www.cabaci.com

Cabaci & Retzlaff
Architects Engineers

CLIENT NAME: **WAWA**
280 WEST BALTIMORE PIKE
WAWA, PENNSYLVANIA 19083

PROJECT NAME: **WAWA F85FB 2017.01 STORE #5294-CNY**
28008 US 19 NORTH
CLEARWATER, FL 33761

SHEET TITLE: **INTERIOR DETAILS**

PROJECT NO.	2016020	DATE	01/02/2017
DESIGNER	FL	DATE	01/02/2017
CHECKER	US	DATE	09/04/2017

A9