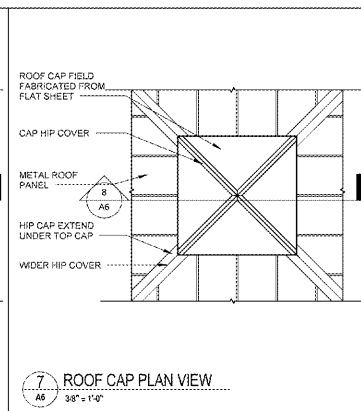
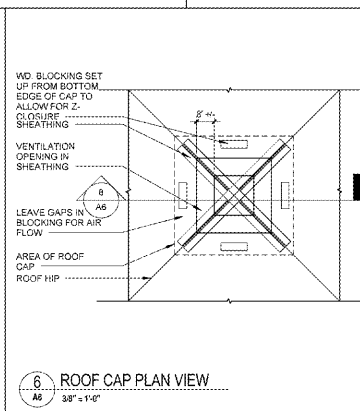
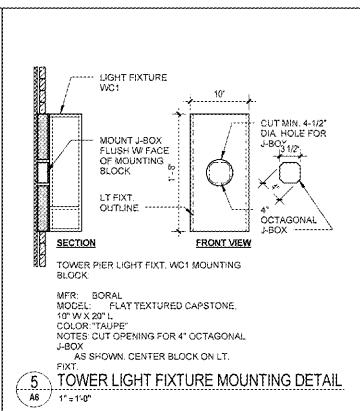
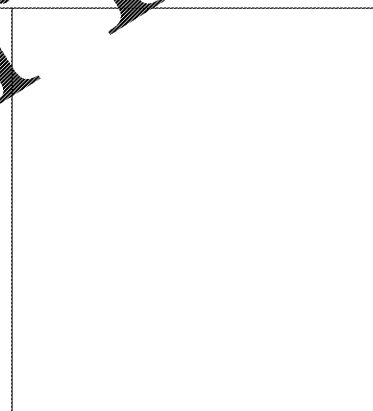
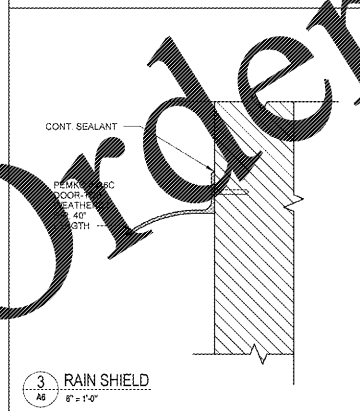
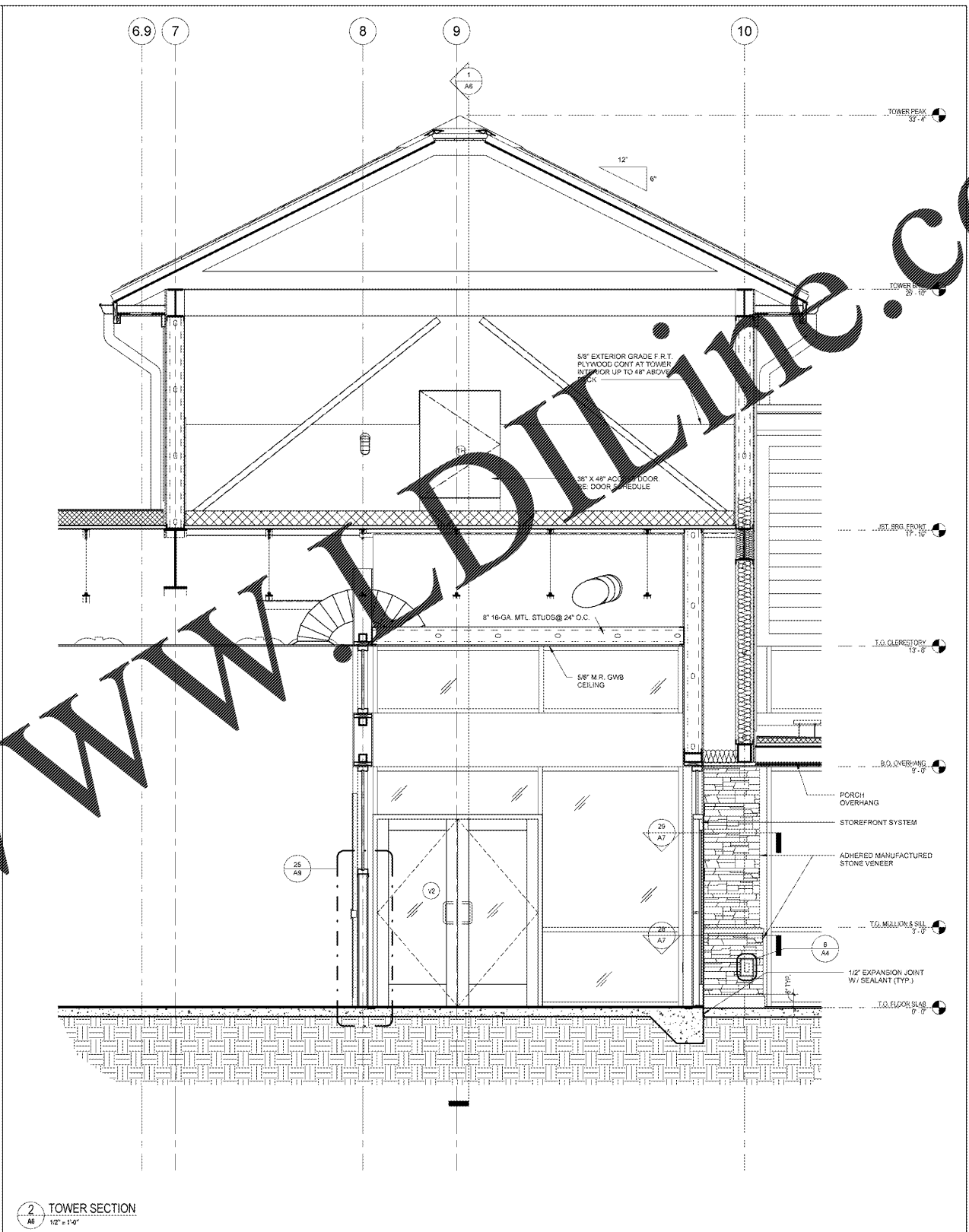
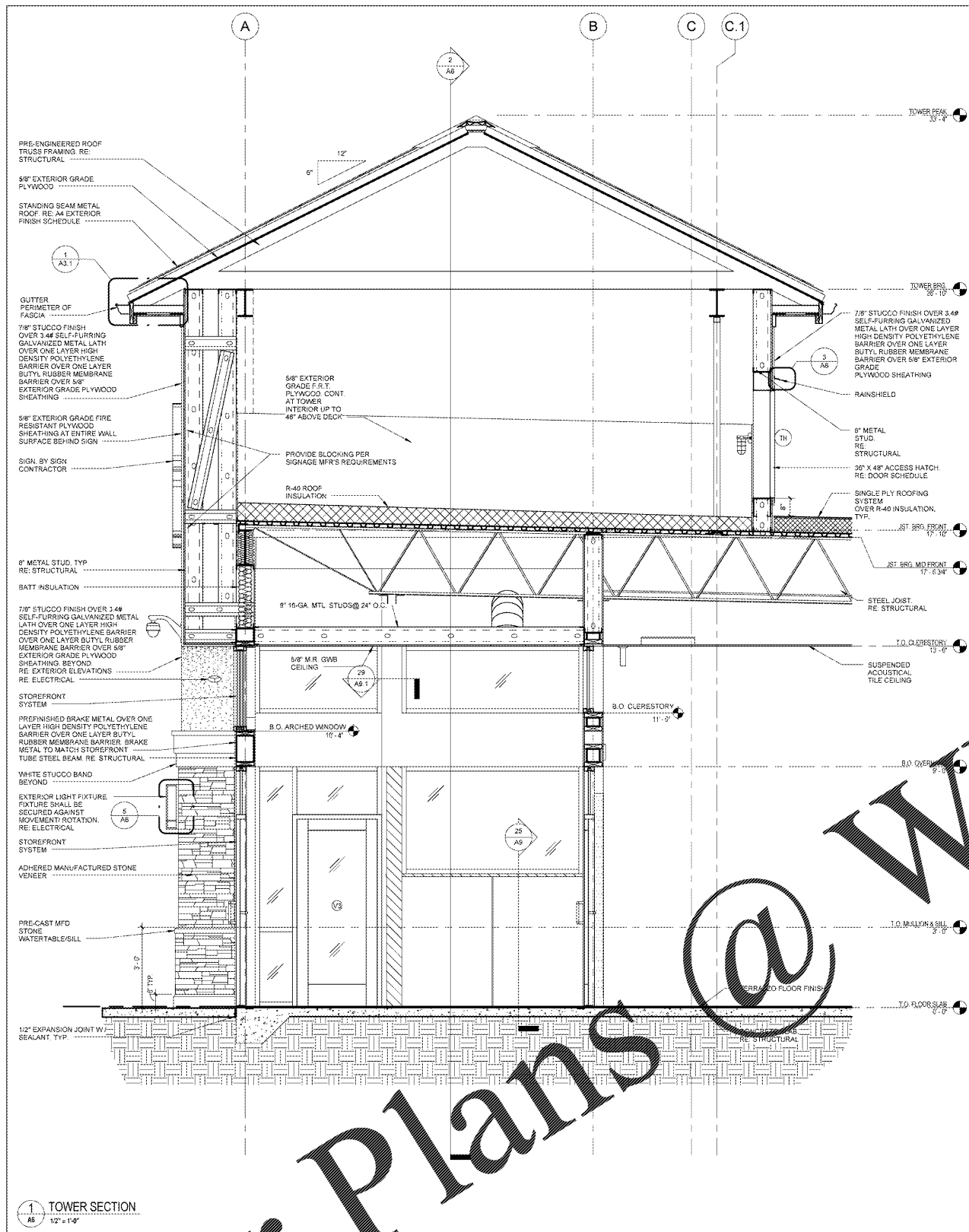


Order Plans @ WWW.WALDDLINE.COM



1925 Prospect Ave
Orlando, FL 32814
P (407) 661-9100
F (407) 661-9101
www.cabaci.com

Cabaci & Ret
Architects Engineers

CLIENT NAME
WAWA
260 WEST BALTIMORE PIKE
WAWA, PENNSYLVANIA 15063

PROJECT NAME
WAWA F85FB 2017.01 STORE #5294-CNY
26508 U.S. 19 NORTH
CLEARWATER, FL 33761

SHEET TITLE
WALL SECTIONS AND DETAILS

PROJECT NO.	2016022
DATE	01/02/2017
DESIGNER	LL
CHECKER	US

Revision Schedule

No.	Description	Date
1	PRELIMINARY	01/02/2017
2	PERMANENT	07/26/2017
3	FIELD REVISION SET	07/26/2017
4	BID SET	09/04/2017

A6