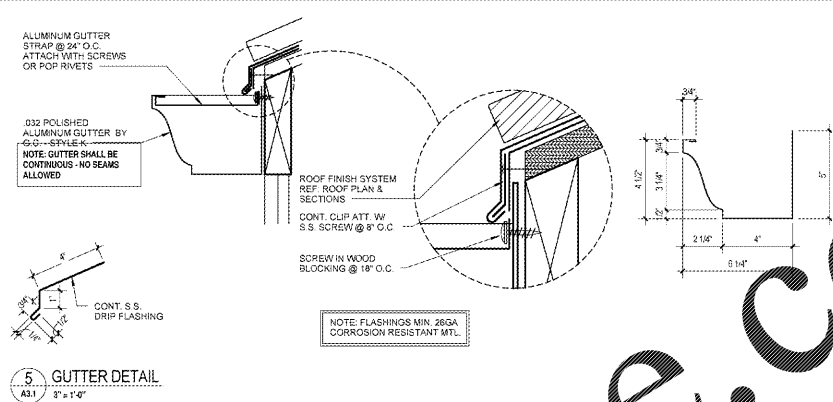
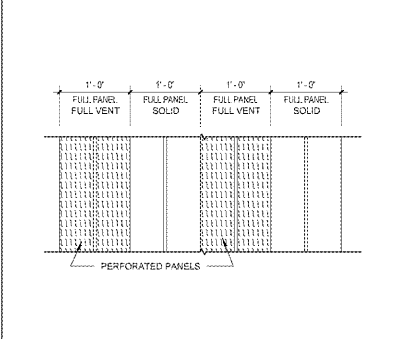


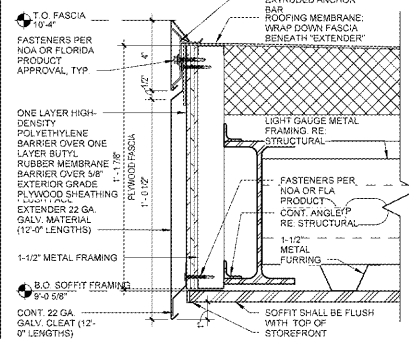
1 TOWER STANDING SEAM EAVE DETAIL  
A3.1 2' x 1'0"



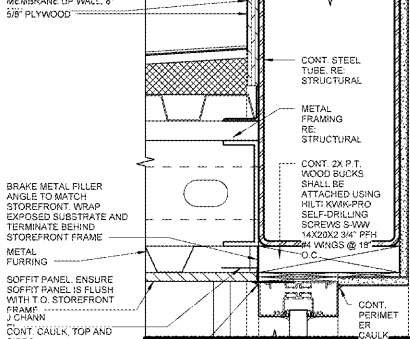
5 GUTTER DETAIL  
A3.1 2' x 1'0"



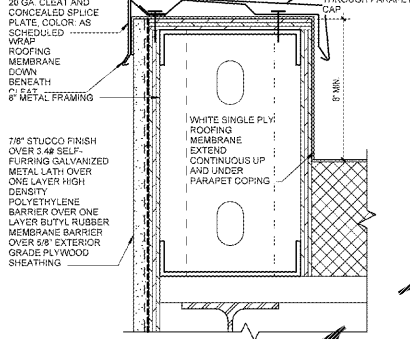
7 SCHEMATIC RCP LAYOUT  
A3.1 1' x 1'0"



8 OVERHANG FASCIA  
A3.1 2' x 1'0"



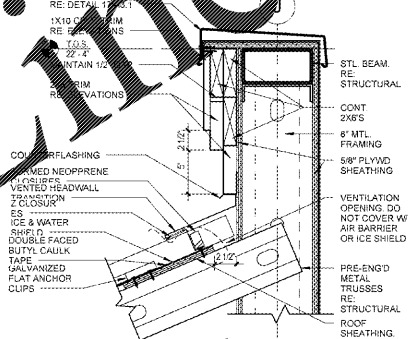
9 OVERHANG @ STOREFRONT  
A3.1 2' x 1'0"



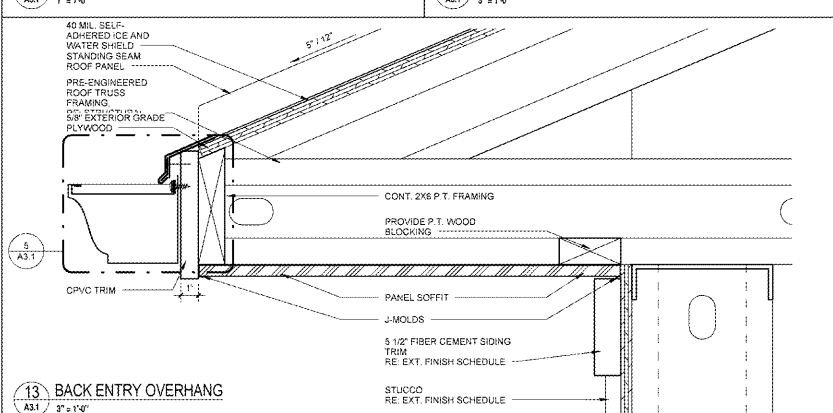
10 PARAPET @ LADDER OPENING  
A3.1 2' x 1'0"



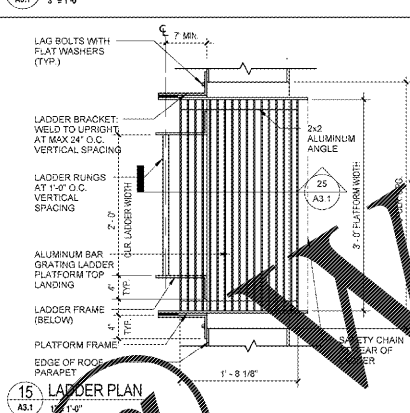
17 PARAPET DETAIL  
A3.1 2' x 1'0"



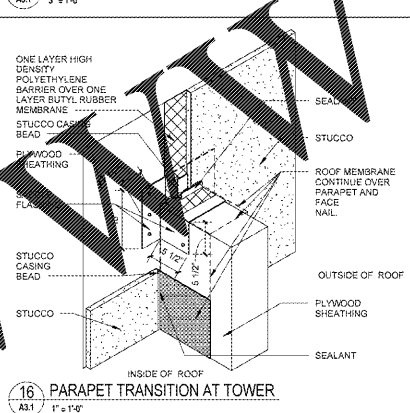
12 STANDING SEAM ROOF DETAIL  
A3.1 11/2\"/>



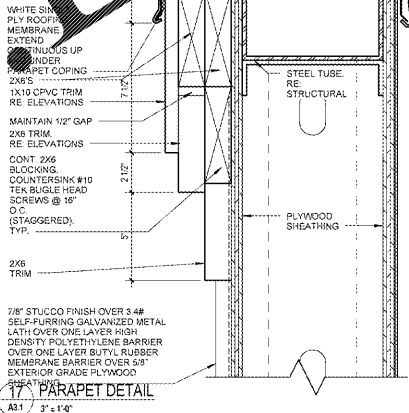
13 BACK ENTRY OVERHANG  
A3.1 2' x 1'0"



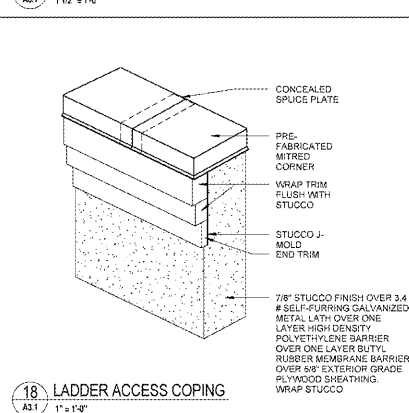
15 LADDER PLAN  
A3.1 1' x 1'0"



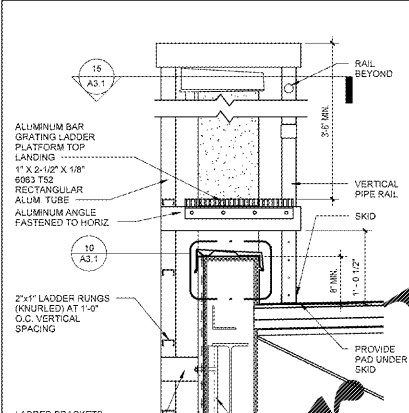
16 PARAPET TRANSITION AT TOWER  
A3.1 1' x 1'0"



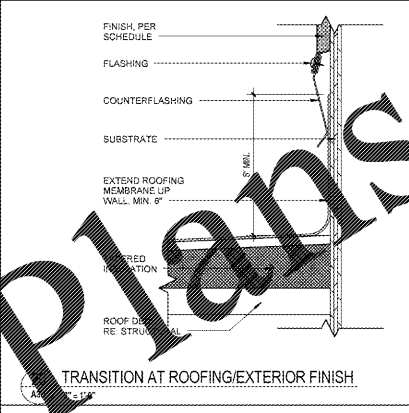
17 PARAPET DETAIL  
A3.1 2' x 1'0"



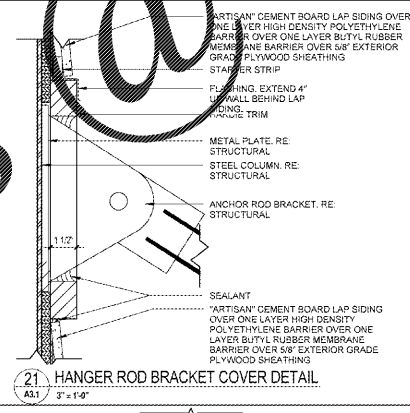
18 LADDER ACCESS COPING  
A3.1 1' x 1'0"



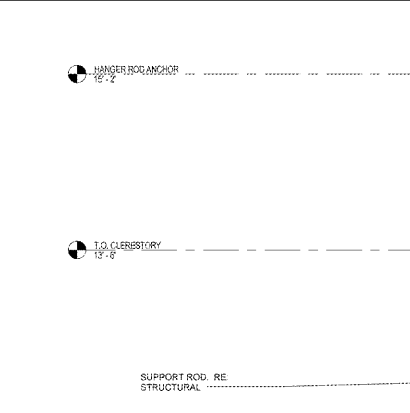
25 LADDER SECTION  
A3.1 1' x 1'0"



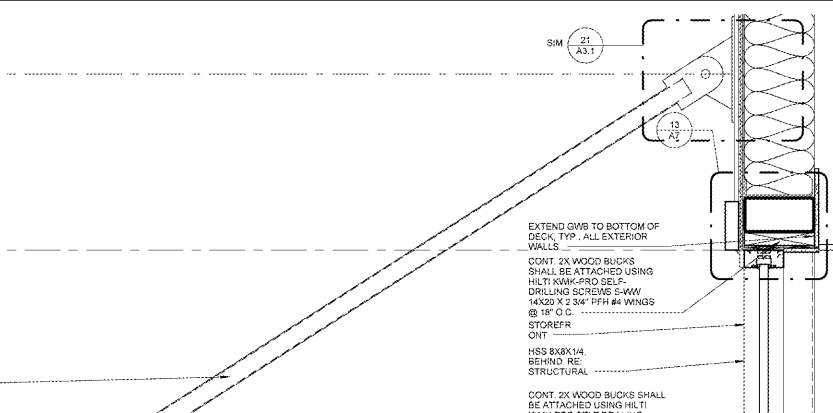
20 TRANSITION AT ROOFING/EXTERIOR FINISH  
A3.1 1' x 1'0"



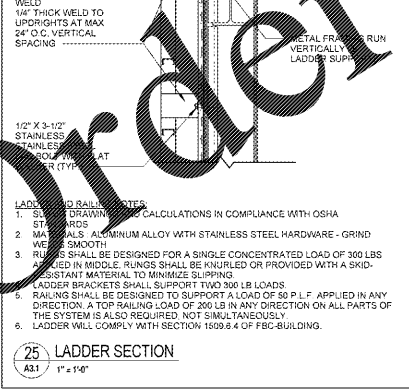
21 HANGER ROD BRACKET COVER DETAIL  
A3.1 2' x 1'0"



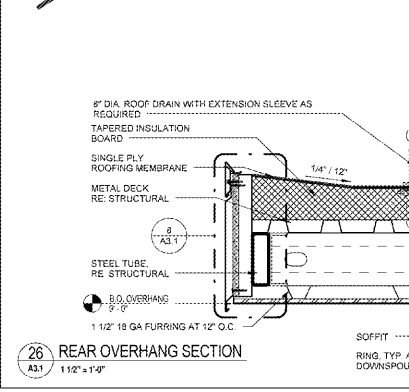
28 PORCH OVERHANG SECTION  
A3.1 11/2\"/>



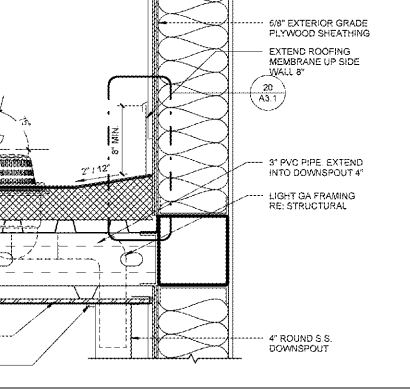
26 REAR OVERHANG SECTION  
A3.1 11/2\"/>



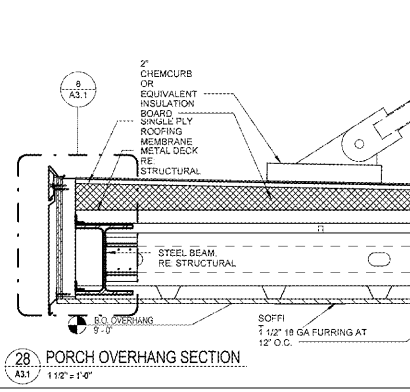
25 LADDER SECTION  
A3.1 1' x 1'0"



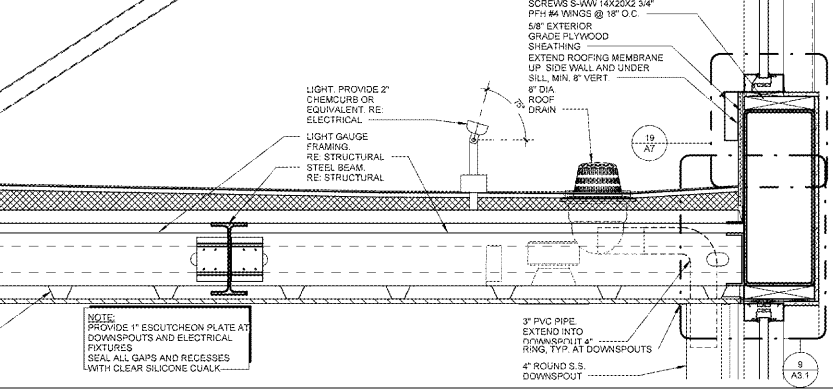
26 REAR OVERHANG SECTION  
A3.1 11/2\"/>



28 PORCH OVERHANG SECTION  
A3.1 11/2\"/>



28 PORCH OVERHANG SECTION  
A3.1 11/2\"/>



26 REAR OVERHANG SECTION  
A3.1 11/2\"/>

Order Plans

WAWAN

LDIline.com

1925 Prospect Ave  
Orlando, FL 32814  
P (407) 661-9100  
F (407) 661-9101  
www.lldi.com

**CLIENT NAME**  
WAWA  
260 WEST BALTIMORE PIKE  
WAWA, PENNSYLVANIA 15063

**PROJECT NAME**  
WAWA F85FB 2017.01 STORE #5294-CNY  
26508 US 19 NORTH  
CLEARWATER, FL 33761

**DATE**  
01/03/2017

**SCALE**  
AS SHOWN

**PROJECT NO.**  
2017002

**DESIGNER**  
LDI

**REVISIONS**

No.	Description	Date
1	PRELIMINARY SET	01/03/2017
2	REVISED SET	09/04/2017

**PROJECT TITLE**  
ROOF DETAILS

**SHEET NO.**  
A3.1