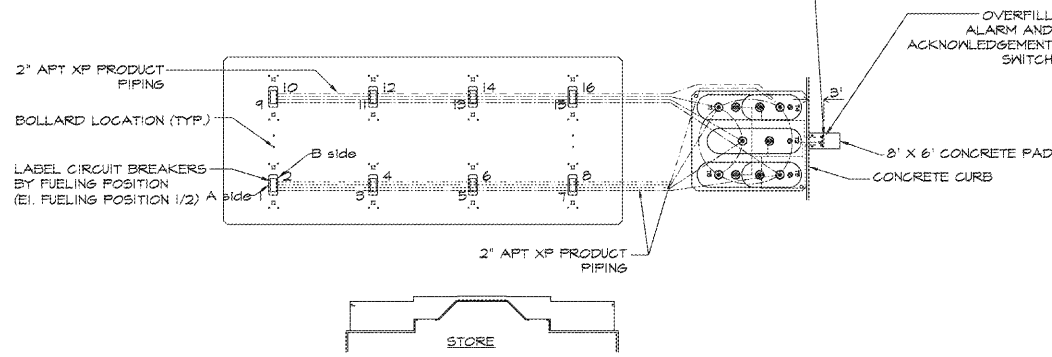
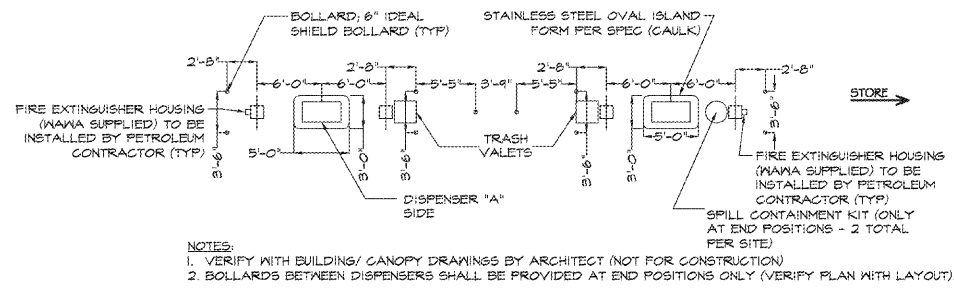


VENT LINES 3" GALVANIZED VENT STACK FOR GASOLINE ( 2" GALVANIZED VENT STACK FOR DIESEL) ABOVE GRADE, 3" RIGID DOUBLE WALL FIBERGLASS FOR GASOLINE (2" FOR DIESEL) BELOW GRADE, PER MANUFACTURER'S INSTRUCTIONS, TERMINATE SECONDARY W/ FRP TERMINATION FITTING. SET MIN. 3' BEHIND CURB. INSTALL (2) 6" IDEALSHIELD BOLLARDS IN FRONT OF VENT STACK IN PVC SLEEVE (PER SPEC). SET IN 8' X 6' CONCRETE PAD.



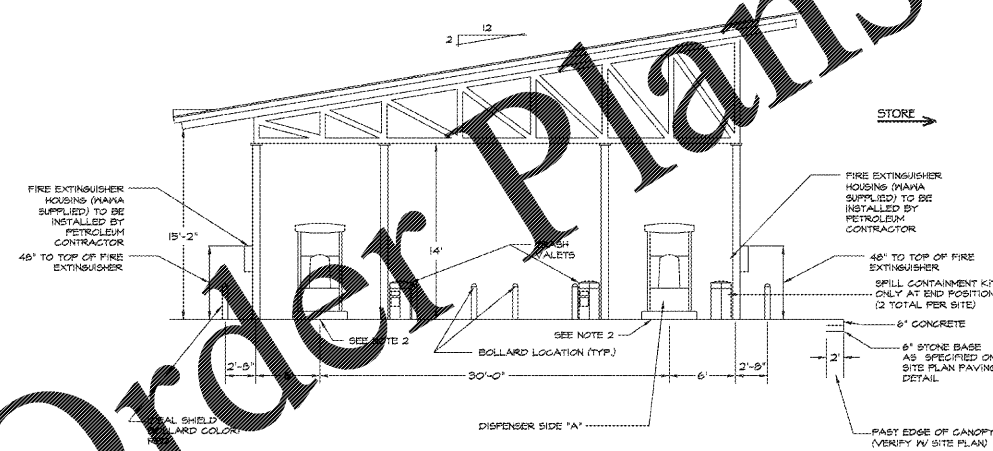
- NOTES:  
 1) TYPICAL LAYOUT FOR APT XP PRODUCT PIPING - SEE SITE PLAN FOR TANK/CANOPY LAYOUTS; LOCATE PIPING RUNS ACCORDINGLY.  
 2) FINAL LOCATION OF DIESEL DISPENSERS TO BE VERIFIED WITH WAWA PROJECT MANAGER. SEE SITE PLAN FOR SPECIFIC DIESEL FUELING LOCATIONS. ALL MPDs IN FLORIDA SHALL BE 3+1 DISPENSERS.  
 3) VERIFY ALL PIPING WITH WAWA PROJECT MANAGER PRIOR TO INSTALLATION.

**A** TYPICAL PIPING RUNS  
 6-3 SCALE: 1" = 30'-0"



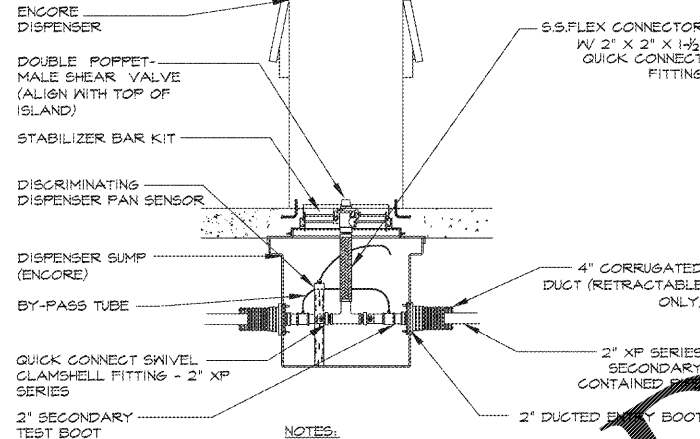
- NOTES:  
 1. VERIFY WITH BUILDING/ CANOPY DRAWINGS BY ARCHITECT (NOT FOR CONSTRUCTION)  
 2. BOLLARDS BETWEEN DISPENSERS SHALL BE PROVIDED AT END POSITIONS ONLY (VERIFY PLAN WITH LAYOUT).

**B** ISLAND PLAN  
 6-3 SCALE: 1/8" = 1'-0"



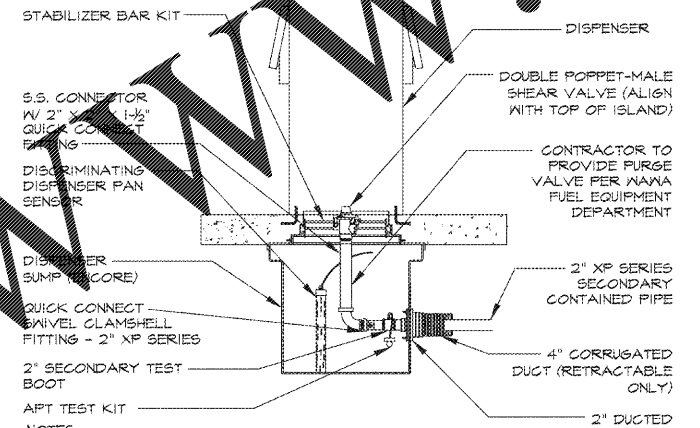
- NOTES:  
 1. REFER TO BUILDING/ CANOPY DRAWINGS BY ARCHITECT (NOT FOR CONSTRUCTION)  
 2. CURB RISEVAL TO BE 6" AT CENTER OF ISLAND FORM (NO MORE, NO LESS)  
 3. BOLLARDS BETWEEN DISPENSERS SHALL BE PROVIDED AT END POSITIONS ONLY (VERIFY PLAN WITH LAYOUT).

**C** CANOPY ELEVATION  
 6-3 SCALE: 1/8" = 1'-0"



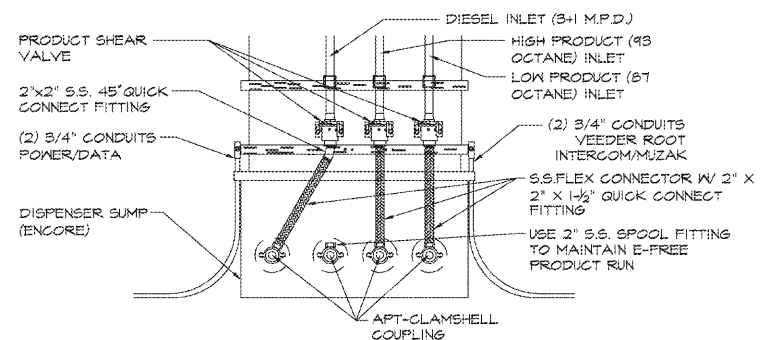
- NOTES:  
 1) SEE SHEET 5 FOR TABLE WAWA SUPPLIED MATERIAL FOR SPECIFIC PART IDENTIFICATION.

**D** SIDE VIEW DISPENSER SUMP - INLINE  
 6-3 SCALE: 3/4" = 1'-0"



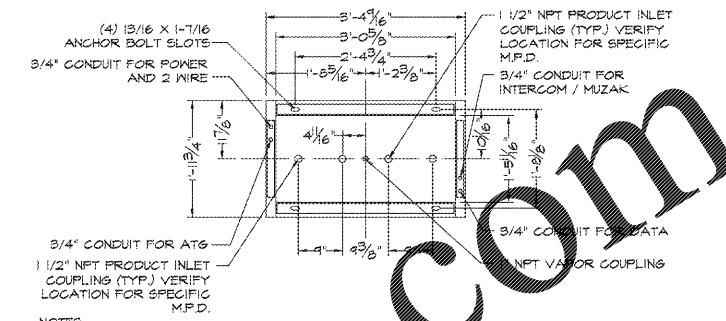
- NOTES:  
 1) SEE SHEET 5 FOR TABLE WAWA SUPPLIED MATERIAL FOR SPECIFIC PART IDENTIFICATION.

**E** SIDE VIEW DISPENSER SUMP - TERMINATING  
 6-3 SCALE: 3/4" = 1'-0"



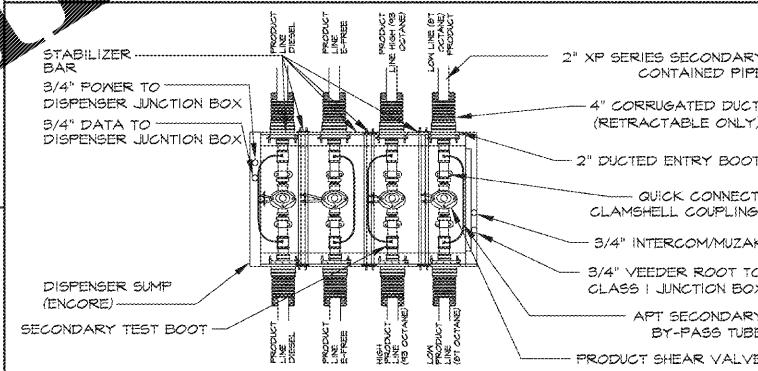
- NOTES:  
 1) INSTALL DISPENSER IN ACCORDANCE WITH MANUFACTURER'S INSTRUCTIONS.  
 2) VERIFY ALL PRODUCT INLETS FOR SPECIFIC TYPE OF DISPENSER BEING INSTALLED PRIOR TO DRILLING SUMP ENTRY BOOT ACCESS HOLES  
 3) SEE SHEET 5 FOR TABLE WAWA SUPPLIED MATERIAL FOR SPECIFIC PART IDENTIFICATION.  
 4) E-FREE PRODUCT RISER WILL NEED TO TIE INTO THE MPD INLET PER MANUFACTURERS INSTRUCTIONS.

**F** DISPENSER SUMP-SECTION VIEW 3+1 M.P.D.  
 6-3 SCALE: 3/4" = 1'-0"



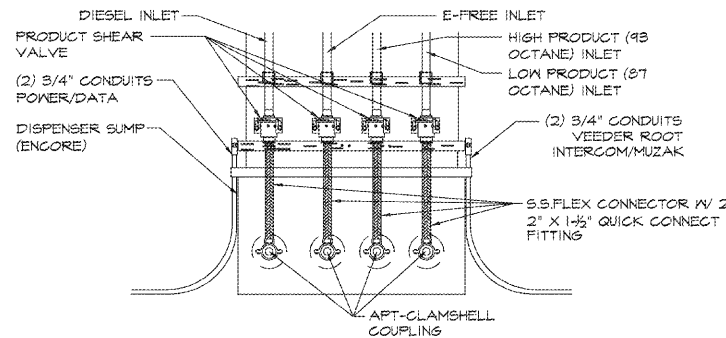
- NOTES:  
 1. CONTRACTOR IS RESPONSIBLE FOR CORRECT ORIENTATION OF THE STUB-UPS TO THE DISPENSER.  
 2. "STUB-UP" FROM HEADERS MUST MATCH LOCATION SHOWN IN THIS PLAN TO MATCH DISPENSER'S INTERNAL CONFIGURATION.  
 3. CONTRACTOR TO VERIFY DIESEL DISPENSER ORIENTATION WITH WAWA FUEL DEPARTMENT.  
 4. DIMENSIONS SHOWN IN THIS VIEW ARE TO BE USED FOR SIZING UNDER DISPENSER CONTAINMENT AND CONCRETE CURB CUT CLAMHELL.  
 5. USE CONDUIT KIT (CUTOUT METAL SUMP TOP FOR PLACEMENT OF DISPENSER CONDUITS.  
 6. VERIFY ALL PRODUCT INLETS FOR SPECIFIC TYPE OF DISPENSER BEING INSTALLED PRIOR TO DRILLING SUMP ENTRY BOOT ACCESS HOLES.

**F** DISPENSER BASE DIMENSIONS  
 6-3 SCALE: 3/4" = 1'-0"



- NOTES:  
 1) SEE SHEET 5 FOR TABLE WAWA SUPPLIED MATERIAL FOR SPECIFIC PART IDENTIFICATION.  
 2) VERIFY ALL PRODUCT INLETS FOR SPECIFIC TYPE OF DISPENSER BEING INSTALLED PRIOR TO DRILLING SUMP ENTRY BOOT ACCESS HOLES.  
 3) E-FREE PRODUCT RISER WILL NEED TO TIE INTO THE MPD INLET PER MANUFACTURERS INSTRUCTIONS.

**G** PLAN VIEW DISPENSER SUMP DETAIL - 3+1 M.P.D.  
 6-3 SCALE: 3/4" = 1'-0"



- NOTES:  
 1) INSTALL DISPENSER IN ACCORDANCE WITH MANUFACTURER'S INSTRUCTIONS.  
 2) VERIFY ALL PRODUCT INLETS FOR SPECIFIC TYPE OF DISPENSER BEING INSTALLED PRIOR TO DRILLING SUMP ENTRY BOOT ACCESS HOLES  
 3) SEE SHEET 5 FOR TABLE WAWA SUPPLIED MATERIAL FOR SPECIFIC PART IDENTIFICATION.  
 4) E-FREE PRODUCT RISER WILL NEED TO TIE INTO THE MPD INLET PER MANUFACTURERS INSTRUCTIONS.

**H** DISPENSER SUMP - SECTION VIEW 3+1 M.P.D.  
 6-3 SCALE: 3/4" = 1'-0"

NO.	DATE	BY
4	08/18/16	J.C.F.
3	11/07/15	D.C.V.
2	12/09/14	E.M.P.
1	09/19/14	D.C.V.

GASOLINE DETAILS			
FLORIDA STACKED 8 SLOPED ROOF			
SCALE	DATE	DRAWN BY:	CHECKED BY:
AS NOTED	4/01/14	DCV	REK

**Wawa**  
 260 WEST BALIBROKE PIKE  
 WAWA, PA 19383  
 (717) 64-28830 FAX 610-288-8855

3  
 DRAWING NO.  
 3 OF 5 SHEET NO.